



# Standard Centrifugal Pump

## Model 54J20-B

### Size 5" x 4"

#### PUMP SPECIFICATIONS

**Size:** 5" x 4" (127 x 101 mm) Flanged.

**Casing:** Gray Iron 35.

Maximum Operating Pressure 276 psi (1903 kPa).\*

Maximum Operating Pressure 250 psi (1723 kPa) at Temperatures up to 100°F (37°C) Based on System Component Limitations.\*

**Enclosed Type, Six Vane Impeller:** Gray Iron 30.

Handles 1/2" (12,7 mm) Diameter Spherical Solids.

**Impeller Shaft:** Alloy Steel 4150.

**Replaceable Wear Ring:** Gray Iron 30.

**Pedestal Body:** Gray Iron 30.

**Seal Housing:** Gray Iron 30.

**Radial Bearing:** Open Single Row Ball.

**Thrust Bearing:** Open Double Row Ball.

**Bearing Lubrication:** SAE 30 Non-Detergent Oil.

**Cover Plate:** Gray Iron 30.

**Gaskets:** Vegetable Fiber.

**Hardware:** Standard Plated Steel.

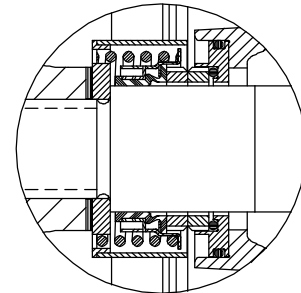
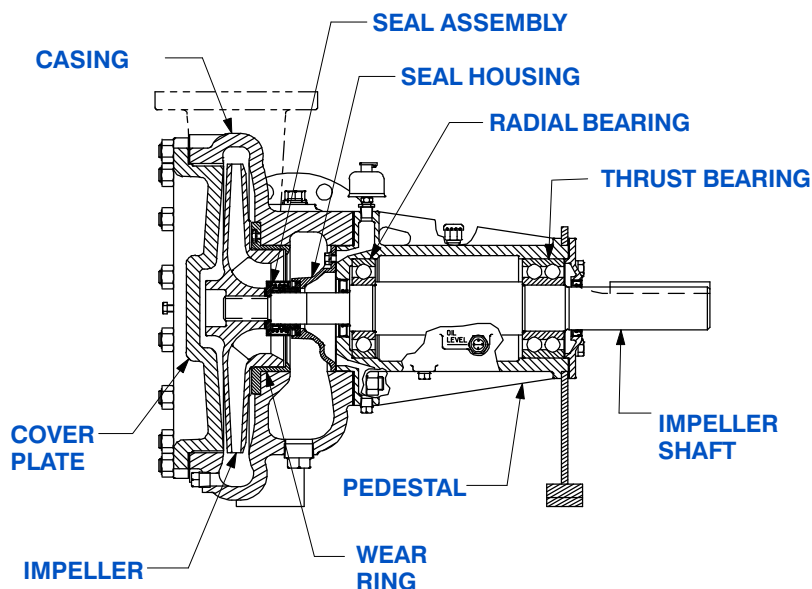
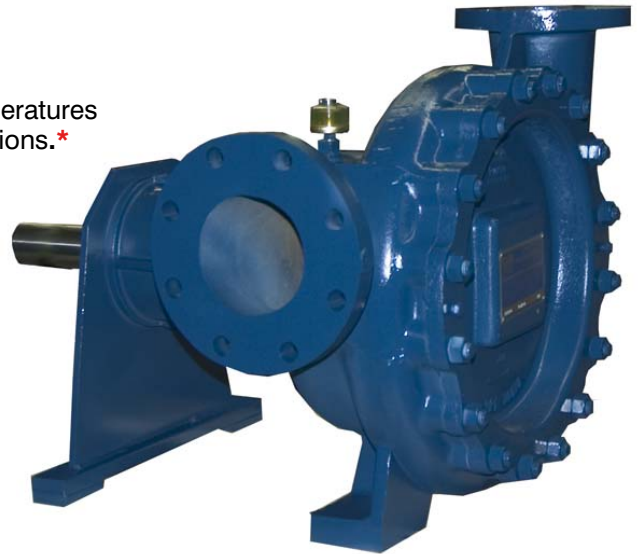
**Oil Level Sight Gauge.**

**Strainer.**

**Optional Equipment:** 5" NPT Suction Flange.

4" NPT Discharge Flange. Discharge Check Valve. Hand Primer.

*\*Consult Factory for Applications Exceeding Maximum Pressure and/or Temperature Indicated.*



#### SEAL DETAILS

Mechanical. Oil Lubricated Double Floating, Self-Aligning. Tungsten Titanium Carbide Rotating and Stationary Faces. Fluorocarbon Elastomers (DuPont Viton® or Equivalent). Stainless Steel 18-8 Cage and Spring. Stainless Steel 303/304 Seal Guard. Maximum Temperature of Liquid Pumped 160°F (71°C).\*



GORMAN-RUPP PUMPS

www.grpumps.com

Specifications Subject to Change Without Notice

Printed in U.S.A.

**Specification Data**

APPROXIMATE  
DIMENSIONS and WEIGHTS

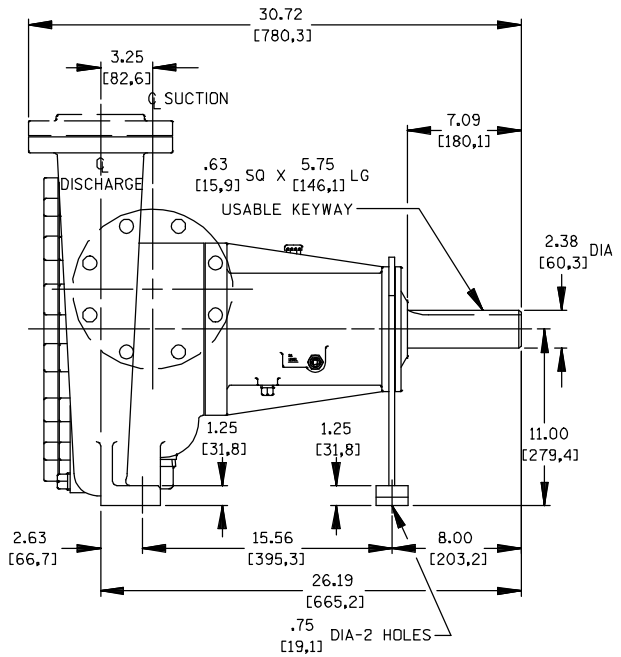
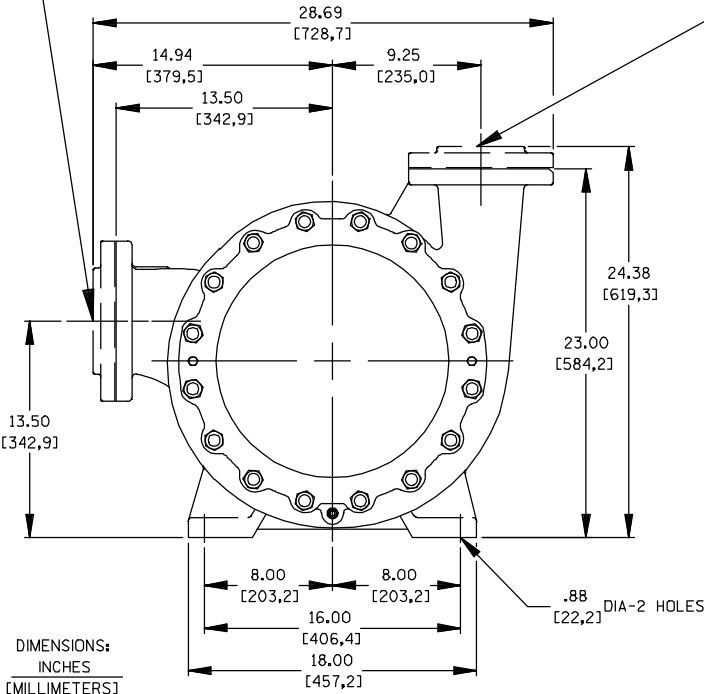
**NET WEIGHT:**  
**SHIPPING WEIGHT:**  
**EXPORT CRATE:**

**510 LBS. (231,3 KG.)**  
**562 LBS. (254,9 KG.)**  
**23.7 CU. FT. (0,67 CU. M.)**

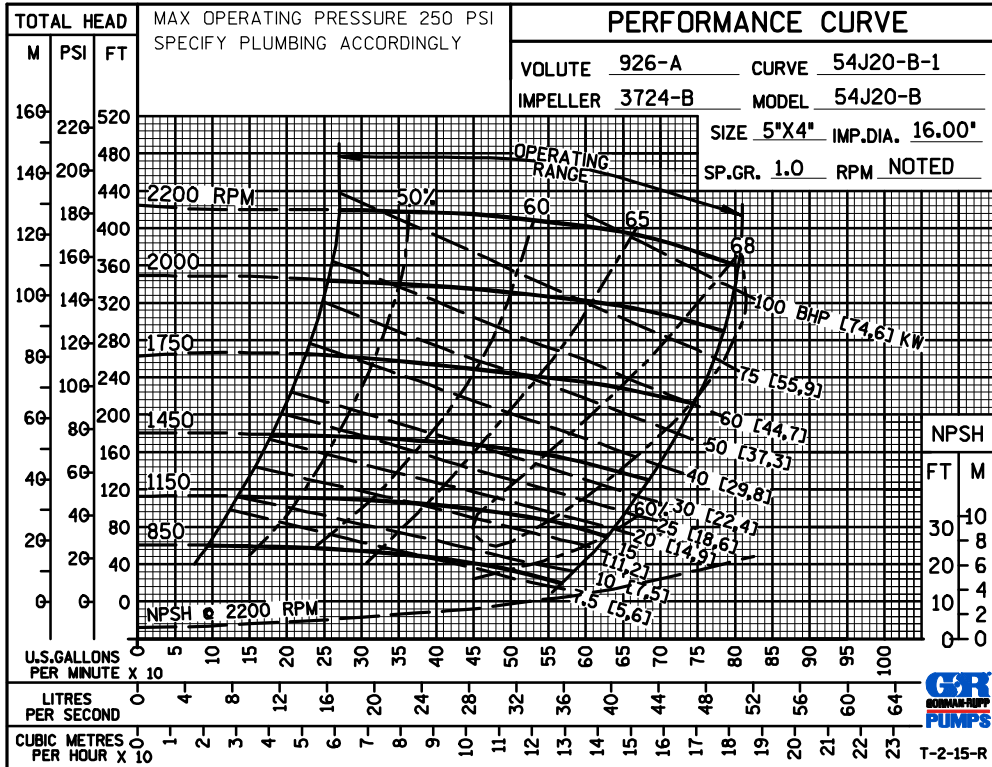
SECTION 70, PAGE 805

SUCTION-5.00/[127,0] FLANGE, 10.00/[254,0] O.D. FLANGE WITH  
.75/[19,0] DIA X 8 HOLES EQUALLY SPACED ON A 8.50/[215,4] DIA  
B.C. OR OPTIONAL 5" NPT COMPANION FLANGE.

DISCHARGE-4.00/[101,6] FLANGE,  
9.00/[228,6] O.D. FLANGE WITH  
.75/[19,0] DIA X 8 HOLES EQUALLY  
SPACED ON A 7.50/[190,5] DIA  
B.C. OR OPTIONAL 4" NPT COMPANION FLANGE.



DIMENSIONS:  
INCHES  
[MILLIMETERS]



**GORMAN-RUPP PUMPS**

www.grpumps.com

Specifications Subject to Change Without Notice

Printed in U.S.A.