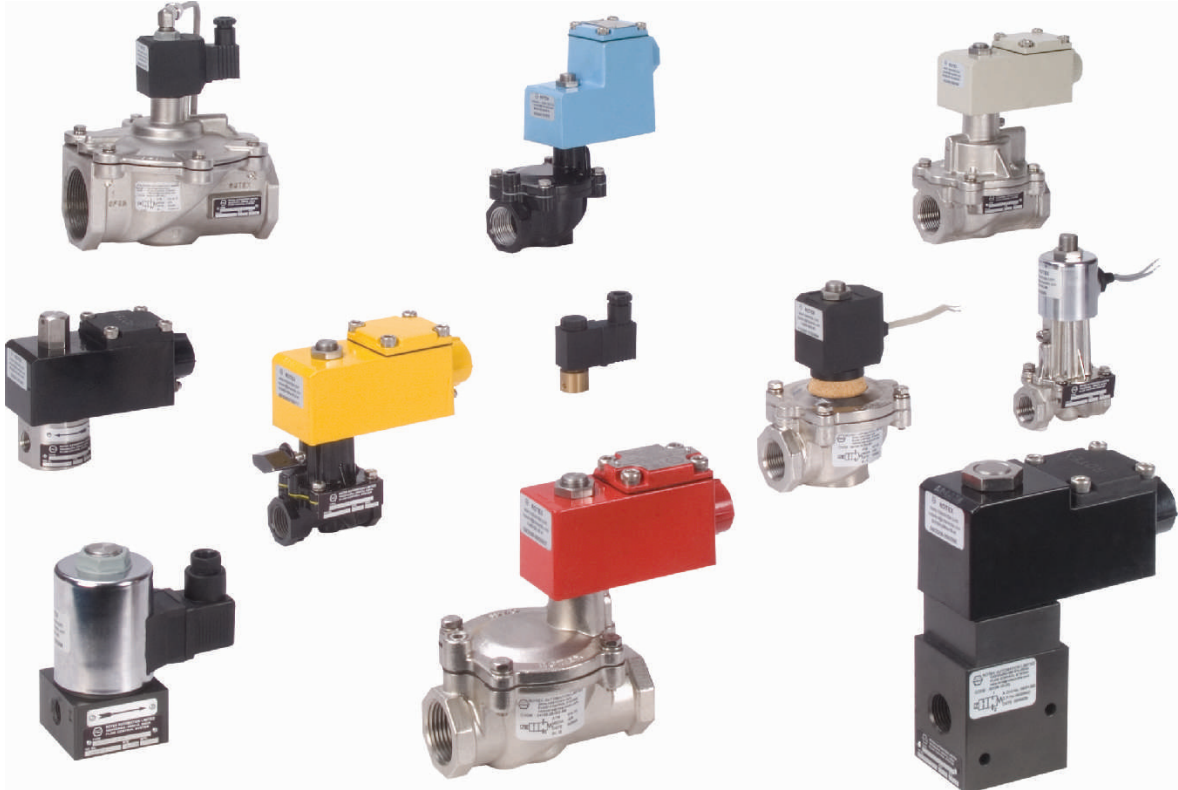


2 PORT VALVE



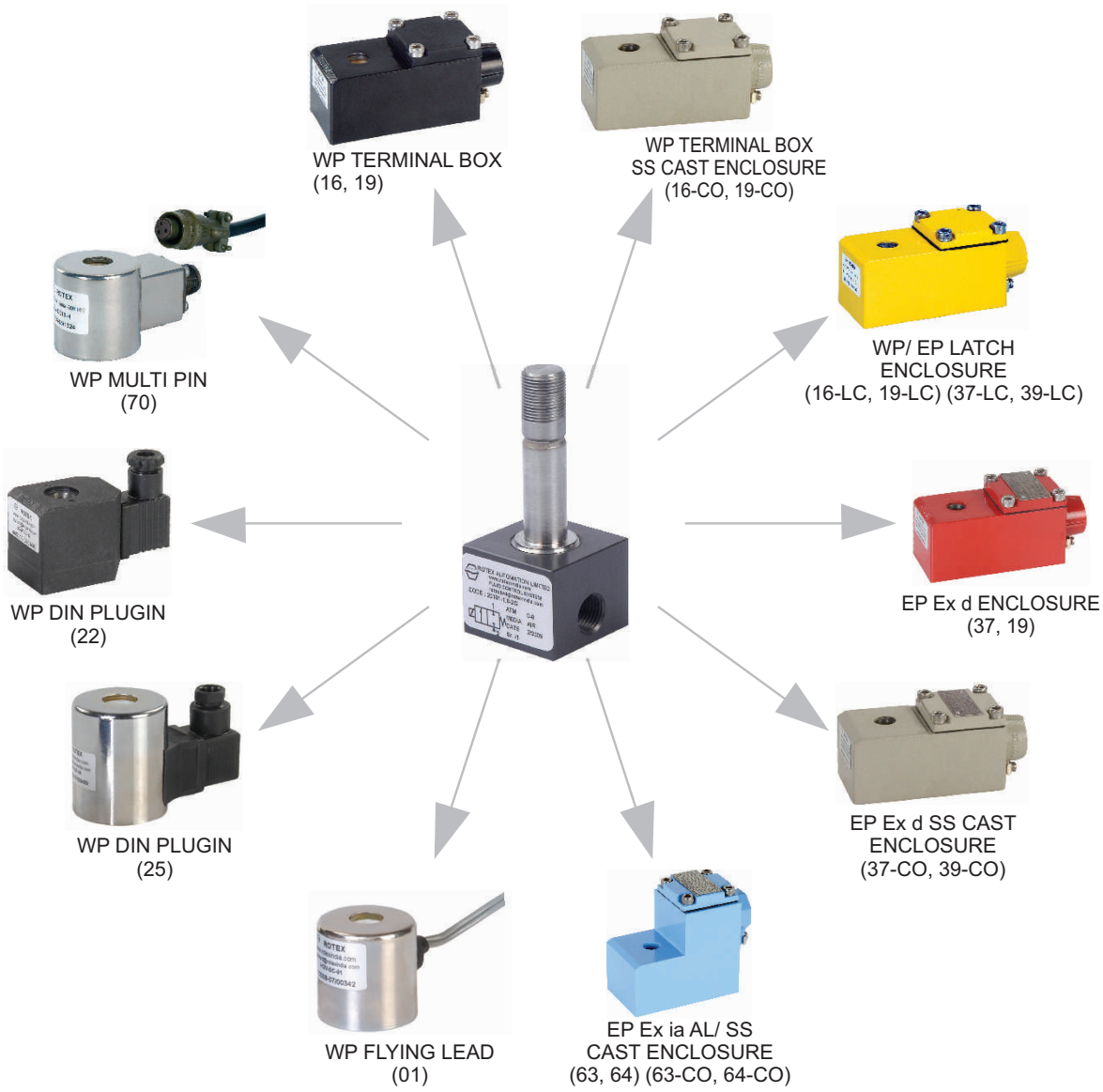
6

TYPE	NORMALLY CLOSED VALVE			NORMALLY OPEN VALVE		
	ORIFICE mm	PRESSURE bar	PAGE NO.	ORIFICE mm	PRESSURE bar	PAGE NO.
Direct Acting	0.8 - 12	0 - 100	73	0 - 5	0 - 63	79
Direct Acting General Purpose	1.5 - 2.5	0 - 14	77			
Direct Acting (All Ports in Body)	1.2 - 3	0 - 20	83	1.2 - 3	0 - 20	83
Diaphragm Actuated	12 To 50	0.2 - 20	85	12 To 50	0.2 - 21	85
Direct Acting High Orifice	12 To 50	0 - 10	91			
Diaphragm Actuated (General Purpose)	12 To 50	0.2 - 20	93			
Diaphragm Actuated (L Ports)	12 To 50	0.2 - 20	95			
Poppet Actuated	12 To 50	0.5 - 40	97	12 To 50	0.5 - 40	97
Isolated Piston	12 To 50	0 - 20	101	12 To 50	0 - 20	101
Isolated Piston Bi Directional	12 To 50	0 - 10	103	12 To 50	0 - 10	103
Air Operated Air Fail To Open				12 To 50	0 - 40	105
Isolated Piston Air Operated	12 To 50	0 - 40	107	12 To 50	0 - 40	107
Direct Acting High Pressure	1.2 To 1.4	0 - 400	109			
Poppet Actuated High Pressure	12 To 50	4 - 70	111	12 To 50	4 - 70	111
Poppet Actuated High Pressure	12 To 25	5 - 400	113			

2/2 SOLENOID VALVE

SOLENOID INTERCHANGEABILITY

6



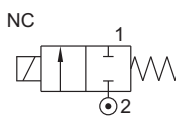
WP : WEATHER PROOF
EP : EXPLOSION PROOF

! ROTEX TWO PORT VALVE PROVIDES INTERCHANGEABILITY FOR VARIOUS SOLENOID ENCLOSURES, VOLTAGE AND CURRENT WITHOUT AFFECTING ITS PERFORMANCE.

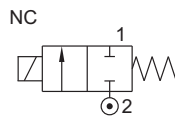
2/2 DIRECT ACTING NORMALLY CLOSED SOLENOID VALVE

TYPE	PRESSURE

TYPE	PRESSURE
20124	0 - 1.5 bar
20126V1	0 - 225 bar



TYPE	PRESSURE
20101	0 - 150 bar
20126	0 - 63 bar
20123	0 - 0.2 bar



FEATURES

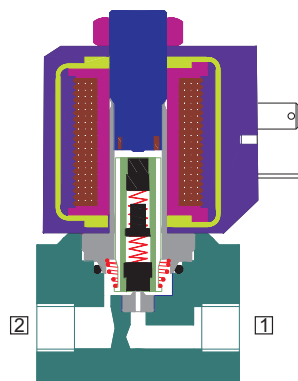
- Bubble tight shut off
- Suitable for vacuum up to 10⁻⁶ torr
- Vibration resistance up to 9g
- Mounts in any position
- Suitable for high speed cycling up to 1000 cycles/ min.
- Life >10 million cycles
- Manual override optionally provided



WETTED PARTS

Code	※	B2	B5
Body	Anodized Aluminium	Brass	SS 316
Internals	Aluminium	Brass	SS 316
Guide Assembly	SS 304		
Shadow-Ring	Copper/ Silver/ None		
Plunger, Insert	SS 430		
Spring	SS 302		
Seat, Seals	NBR, Viton, EPDM, PTFE		

※ Do not specify code if opted



AMBIENT AND FLUID TEMPERATURE

-20 °C to 80 °C

SPECIAL VERSION AND SUFFIX

Suffix : (Valve) OX, AM, WO
Special version : (Solenoid) CO, FR, SS, LC, III, TM

MEDIA

Air, Inert Gases, Water, Vacuum, Free Flowing Liquid, Oil, Diesel, Kerosene, LPG, Furnace Oil

APPLICATION

Dispensing, Analyzer, Drain

PORT CONNECTION

INLET	OUTLET
2	1

SPARES

(Refer page 25 for ordering code)

SPARE KIT	CODE
Seal Kit : Oring Set and Plunger Assembly	98
Repair Kit : Oring Set, Plunger Assembly, Springs, Manual Override	99
Solenoid Kit : Solenoid, Gasket and Nut	34

APPROVAL

(* applied for)

Approval	Nema 4X	IP67	Ex d IIC T4 or T5 or T6 IP66	Ex ia IIC T6 IP67	DGMS	CCOE
		✓	✓	✓	✓	✓
CE		✓	✓	✓		
UL	✓		*			
			✓	✓		
			*	*		

Contact Rotex for

- Any other ambient, fluid temperature, media and application
- UL listed, Listed general purpose Valve
- PED approved valve



2/2 DIRECT ACTING NORMALLY CLOSED SOLENOID VALVE

SPECIFICATION

PORT CONNECTION			PRE-SURE bar		NW ORIFICE (mm)	FLOW FACTOR kv (LPM OF WATER @ 1 bar AP)	VALVE TYPE	PILOT PRESSURE	BODY MATERIAL AND INTERNALS						SEALS					MANUAL OVERRIDE					SOLENOID ENCLOSURE				SUFFIX		POWER VA		CONSTRUCTION REFERENCE NUMBER
SIZE	BSP(F)	NPT(F)	MINIMUM	MAXIMUM					ALUMINIUM	ALUMINIUM + SS	BRASS (STD PORT NPT)	SS 316/CF8M (STD. PORT NPT)	NBR	Viton	EPDM	HYTREL	PTFE	NIL	STAYPUT CUM MOMENTARY	MOMENTARY	FLYING LEAD	PLUG IN, IP67	SQ. PLUG IN, IP67	TERMINAL BOX IP67	FPJB Ex d IIC, T4 OR T6, IP67	LARGE ENCLOSURE	SOLENOID SIZE	OXYGEN	AMONIA	AC INRUSH	AC HOLDING	DC	

2/2 NORMALLY CLOSED

1/8"	1G	1R	0 20	1.8	1.8	20101	×	B2 B5	×	S2 S1	S8	×	M6 M8	F	22	25	T	E	III	14	✓	✓	18	12	8	A	
			0 50	1.8	1.8	20126	×	B2 B5				×	×	M11 M4	F	25	T	E		18	✓	✓	13	13	13	C	
1/4"	2G	2R	0 2.5	5	9	20101	×	B2 B5	×	S2 S1	S8	×	M6 M8	F	22	25	T	E	III	14	✓	✓	18	12	8	A	
			0 4	4	7	20101	×	B2 B5	×	S2 S1	S8	×	M6 M8	F	22	25	T	E	III	14	✓	✓	18	12	8	A	
			0 6	3.5	5	20101	×	B2 B5	×	S2 S1	S8	×	M6 M8	F	22	25	T	E	III	14	✓	✓	18	12	8	A	
			0 6	5	9	20126	×	B2 B5	×	S2 S1	S8	×	M6 M8	F	25	T	E	III	18	✓	✓	13	13	13	C		
			0 8	3	4	20101	×	B2 B5	×	S2 S1	S8	×	M6 M8	F	22	25	T	E	III	14	✓	✓	18	12	8	A	
			0 10	4	7	20126	×	B2 B5	×	S2 S1	S8	×	M6 M8	F	25	T	E		18	✓	✓	13	13	13	C		
			0 12	2.5	3.5	20101	×	B2 B5	×	S2 S1	S8	×	M6 M8	F	22	25	T	E	III	14	✓	✓	18	12	8	A	
			0 15	2.2	2.5	20101	×	B2 B5	×	S2 S1	S8	×	M6 M8	F	22	25	T	E	III	14	✓	✓	18	12	8	A	
			0 15	3.5	5	20126	×	B2 B5	×	S2 S1	S8	×	M6 M8	F	25	T	E		18	✓	✓	13	13	13	C		
			0 20	1.8	1.8	20101	×	B2 B5	×	S2 S1	S8	×	M6 M8	F	22	25	T	E	III	14	✓	✓	18	12	8	A	
			0 25	1.6	1.4	20101	×	B2 B5	×	S2 S1	S8	×	M12 M5	F	22	25	T	E	III	14	✓	✓	18	12	8	A	
			0 25	3	4	20126	×	B2 B5	×	S2 S1	S8	×	M6 M8	F	25	T	E		18	✓	✓	13	13	13	C		
			0 32	2.5	3.5	20126	×	B2 B5	×	S2 S1	S8	×	M12 M5	F	25	T	E		18	✓	✓	13	13	13	C		
			0 40	2.2	2.5	20126	×	B2 B5	×	S2 S1	S8	×	M12 M5	F	25	T	E		18	✓	✓	13	13	13	C		
			0 50	1.8	1.8	20126	×	B2 B5	×	S2 S1	S8	×	M11 M4	F	25	T	E		18	✓	✓	13	13	13	C		
			0 60	1.2	0.7	20101	×	B2 B5				×	×	M11 M4	F	22	25	T	E	III	14	✓	✓	18	12	8	A
			0 63	1.6	1.4	20126	×	B2 B5				×	×	M11 M4	F	25	T	E		18	✓	✓	13	13	13	C	
			0 100	1.2	0.7	20126V1	×	B2 B5				×	×	M11 M4	F	25	T	E		18	✓	✓	13	13	13	C	
0 150	0.8	0.5	20101	×	B2 B5				×	×	M11 M4	F	22	25	T	E	III	14	✓	✓	18	12	8	A			
0 225	0.8	0.5	20126V1		B2 B5				×	×	M11 M4	F	25	T	E		18	✓	✓	13	13	13	C				
3/8"	3G	3R	0 2.5	5	9	20101	×	B2 B5	×	S2 S1	S8	×	M6 M8	F	22	25	T	E	III	14	✓	✓	18	12	8	B	
			0 4	4	7	20101	×	B2 B5	×	S2 S1	S8	×	M6 M8	F	22	25	T	E	III	14	✓	✓	18	12	8	B	
			0 4	6	12	20126	×	B2 B5	×	S2 S1	S8	×	M6 M8	F	25	T	E		18	✓	✓	13	13	13	D		
			0 6	5	9	20126	×	B2 B5	×	S2 S1	S8	×	M6 M8	F	25	T	E		18	✓	✓	13	13	13	D		
			0 8	3	4	20101	×	B2 B5	×	S2 S1	S8	×	M6 M8	F	22	25	T	E	III	14	✓	✓	18	12	8	B	
			0 10	4	7	20126	×	B2 B5	×	S2 S1	S8	×	M6 M8	F	25	T	E		18	✓	✓	13	13	13	D		
			0 25	3	4	20126	×	B2 B5	×	S2 S1	S8	×	M6 M8	F	25	T	E		18	✓	✓	13	13	13	D		
1/2"	4G	4R	0 1.5	12	50	20124	×			×					F	25	T	E		18	✓	✓	13	13	13	12	
			0 0.2	16	30	20123	×				×					F	25	T	E		18	✓	✓	13	13	13	11
			0 2.5	5	9	20101	×	B2 B5	×	S2 S1	S8	×	M6 M8	F	22	25	T	E	III	14	✓	✓	18	12	8	B	
			0 4	4	7	20101	×	B2 B5	×	S2 S1	S8	×	M6 M8	F	22	25	T	E	III	14	✓	✓	18	12	8	B	
			0 4	6	12	20126	×				×					F	25	T	E		18	✓	✓	13	13	13	D
			0 6	3.5	5	20101	×	B2 B5	×	S2 S1	S8	×	M6 M8	F	22	25	T	E	III	14	✓	✓	18	12	8	B	
			0 6	5	9	20126	×	B2 B5	×	S2 S1	S8	×	M6 M8	F	25	T	E		18	✓	✓	13	13	13	D		
			0 8	3	4	20101	×	B2 B5	×	S2 S1	S8	×	M6 M8	F	22	25	T	E	III	14	✓	✓	18	12	8	B	
			0 10	4	7	20126	×	B2 B5	×	S2 S1	S8	×	M6 M8	F	25	T	E		18	✓	✓	13	13	13	D		
			0 12	2.5	3.5	20101	×	B2 B5	×	S2 S1	S8	×	M6 M8	F	22	25	T	E	III	14	✓	✓	18	12	8	B	
			0 15	2.2	2.5	20101	×	B2 B5	×	S2 S1	S8	×	M6 M8	F	22	25	T	E	III	14	✓	✓	18	12	8	B	
			0 15	3.5	5	20126	×	B2 B5	×	S2 S1	S8	×	M6 M8	F	25	T	E		18	✓	✓	13	13	13	D		
			0 20	1.8	1.8	20101	×	B2 B5	×	S2 S1	S8	×	M6 M8	F	22	25	T	E	III	14	✓	✓	18	12	8	B	
			0 25	3	4	20126	×	B2 B5	×	S2 S1	S8	×	M6 M8	F	25	T	E		18	✓	✓	13	13	13	D		
			0 32	2.5	3.5	20126	×	B2 B5	×	S2 S1	S8	×	M12 M5	F	25	T	E		18	✓	✓	13	13	13	D		
			0 40	2.2	2.5	20126	×	B2 B5	×	S2 S1	S8	×	M12 M5	F	25	T	E		18	✓	✓	13	13	13	D		
			0 50	1.8	1.8	20126	×	B2 B5				×	×	M11 M4	F	25	T	E		18	✓	✓	13	13	13	D	
			0 60	1.2	0.7	20101	×	B2 B5				×	×	M11 M4	F	22	25	T	E	III	14	✓	✓	18	12	8	B
0 100	1.2	0.7	20126V1	×	B2 B5				×	×	M11 M4	F	25	T	E		18	✓	✓	13	13	13	D				
3/4"	6G	6R	0 0.2	16	30	20123	×			×				F	25	T	E		18	✓	✓	13	13	13	11		
1"	8G	8R	0 0.2	16	30	20123	×			×				F	25	T	E		18	✓	✓	13	13	13	11		

Cable Entry	T	E		F
M20 x 1.5	19	39	Flying lead IP54	×
1/2" NPT	16	37	Flying lead IP67	01

× = Do not specify when opted for
✓ = Options available

Code	Construction Reference
A	1, 3, 5, 7
B	2, 4, 6, 8
C	9, 13
D	10, 14



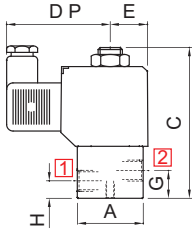
2/2 DIRECT ACTING NORMALLY CLOSED SOLENOID VALVE

ORDERING CODE AND EXAMPLE VALVE + SOLENOID

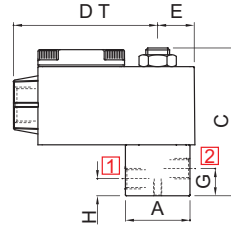
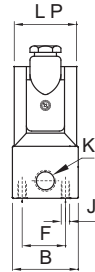
TYPE - SUFFIX - ORIFICE - PORT CONNECTION - BODY AND INTERNALS - MANUAL OVERRIDE - SEAL + SIZE - VOLTAGE - CURRENT - SOLENOID ENCLOSURE - APPROVAL - INSULATION - SPECIAL VERSION
eg.: 20126-4-2G+220V 50Hz-25; 20101-2.2-2R-B5-M6-S2+24V DC-37-01-H-CO-III

DIMENSIONS

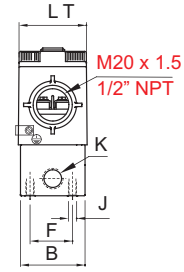
All Dimensions are in mm



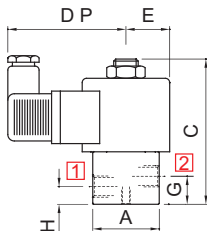
PLUG IN SOLENOID TYPE 22



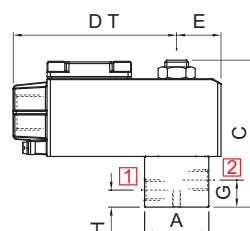
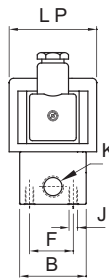
TERMINAL BOX/ Ex d TYPE 16, 19, 37, 39



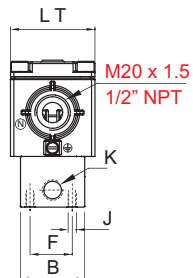
K (PORT SIZE)	A	B	C	DP	DT	E	F	G	H	J	LP	LT	BODY MATL.	CONST. REF.
VALVE TYPE : 20101														
1/8", 1/4"	38	38	87	60	85	22	25	16	10	M6	36	40	AL, BR	1
3/8", 1/2"	60	38	95	60	85	22	25	20.5	20.5	M6	36	40	AL, BR	2
1/8", 1/4"	44	Ø48	91	60	85	22	25	17	10.5	M6	36	40	SS	3
3/8", 1/2"	58	Ø62	111	60	60	22	25	14	14	M6	36	40	SS	4



PLUG IN SOLENOID TYPE 25



TERMINAL BOX/ Ex d LARGE ENCLOSURE
TYPE 16,19,37,39,LC

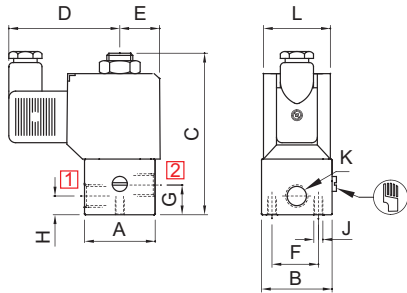


K (PORT SIZE)	A	B	C	DP	DT	E	F	G	H	J	LP	LT	BODY MATL.	CONST. REF.
VALVE TYPE : 20101														
1/8", 1/4"	38	38	87	66	97	26	25	16	10	M6	Ø50	50	AL, BR	5
3/8", 1/2"	60	38	95	66	97	26	25	20.5	20.5	M6	Ø50	50	AL, BR	6
1/8", 1/4"	44	Ø48	91	66	97	26	25	17	10.5	M6	Ø50	50	SS	7
3/8", 1/2"	58	Ø62	111	68	103	28	25	14	14	M6	Ø50	50	SS	8
VALVE TYPE : 20126														
1/8", 1/4"	50	50	102	68	103	28	25	17	10.5	M6	Ø50	50	AL, BR	9
3/8", 1/2"	65	50	108	68	103	28	25	14	14	M6	Ø50	50	AL, BR	10
1/8"	44	Ø48	91	66	103	28	25	17	10.5	M6	Ø50	50	SS	13
3/8"	58	Ø62	111	68	103	29	25	14	14	M6	Ø50	50	SS	14
VALVE TYPE : 20123, 20124														
3/8", 1/2"	65	50	108	68	103	28	25	15	21	M6	Ø50	50	AL, BR	11

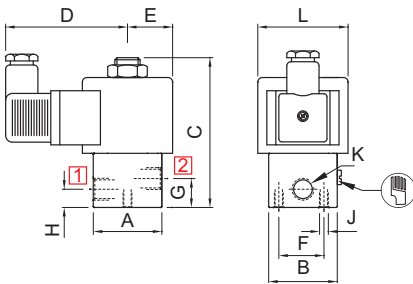
2/2 DIRECT ACTING NORMALLY CLOSED SOLENOID VALVE

DIMENSIONS

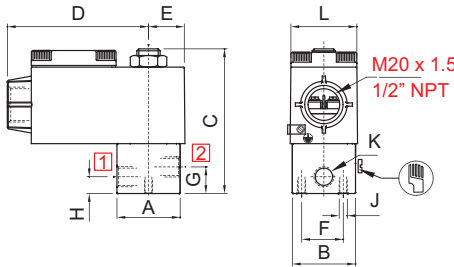
All Dimensions are in mm



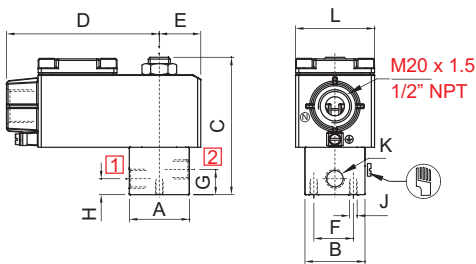
MANUAL OVERRIDE OPTIONALLY PROVIDED



MANUAL OVERRIDE OPTIONALLY PROVIDED



MANUAL OVERRIDE OPTIONALLY PROVIDED



MANUAL OVERRIDE OPTIONALLY PROVIDED

PLUG IN SOLENOID TYPE 22

K (PORT SIZE)	A	B	C	D	E	F	G	H	J	L	BODY MATL.	CONST. REF.
VALVE TYPE : 20101 WITH MO												
1/8", 1/4"	38	38	87	60	22	25	16	10	M6	36	AL, BR	1
3/8", 1/2"	60	38	95	60	22	25	20.5	20.5	M6	36	AL, BR	2
1/8", 1/4"	44	Ø48	91	60	22	25	17	10.5	M6	36	SS	3
3/8", 1/2"	58	Ø62	111	60	22	25	14	14	M6	36	SS	4

SQUARE PLUG IN SOLENOID TYPE 25

K (PORT SIZE)	A	B	C	D	E	F	G	H	J	L	BODY MATL.	CONST. REF.
VALVE TYPE : 20101 WITH MO												
1/8", 1/4"	38	38	87	66	25	25	16	10	M6	Ø50	AL, BR	5
3/8", 1/2"	60	38	95	66	25	25	20.5	20.5	M6	Ø50	AL, BR	6
1/8", 1/4"	44	Ø48	91	66	25	25	17	10.5	M6	Ø50	SS	7
3/8", 1/2"	58	Ø62	111	68	22	25	14	14	M6	Ø50	SS	8
VALVE TYPE : 20126 WITH MO												
1/8", 1/4"	50	50	104	68	25	25	17	10.5	M6	Ø50	AL, BR	9
3/8", 1/2"	65	50	104	68	25	25	14	14	M6	Ø50	AL, BR	10
1/4"	44	Ø48	91	66	25	25	17	10.5	M6	Ø50	SS	13
1/2"	58	Ø62	111	68	29	25	14	14	M6	Ø50	SS	14
VALVE TYPE : 20123, 20124 WITH MO												
1/2"	65	50	110	68	25	25	15	21	M6	Ø50	AL, BR	12

TERMINAL BOX/ Ex d ENCLOSURE, TYPE 16, 19, 37, 39

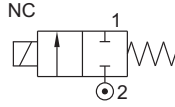
K (PORT SIZE)	A	B	C	D	E	F	G	H	J	L	BODY MATL.	CONST. REF.
VALVE TYPE : 20101 WITH MO												
1/8", 1/4"	38	38	87	85	22	25	16	10	M6	39	AL, BR	1
3/8", 1/2"	60	38	95	85	22	25	20.5	20.5	M6	39	AL, BR	2
1/8", 1/4"	44	Ø48	91	85	22	25	17	10.5	M6	39	SS	3
3/8", 1/2"	58	Ø62	111	60	22	25	14	14	M6	39	SS	4

TERMINAL BOX/ Ex d LARGE ENCLOSURE, TYPE 16, 19, 37, 39, LC

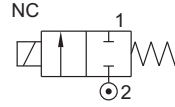
K (PORT SIZE)	A	B	C	D	E	F	G	H	J	L	BODY MATL.	CONST. REF.
VALVE TYPE : 20101 WITH MO												
1/8", 1/4"	38	38	87	97	26	25	16	10	M6	50	AL, BR	5
3/8", 1/2"	60	38	95	97	26	25	20.5	20.5	M6	50	AL, BR	6
1/8", 1/4"	44	Ø48	91	97	26	25	17	10.5	M6	36	SS	7
3/8", 1/2"	58	Ø62	111	103	28	25	14	14	M6	50	SS	8
VALVE TYPE : 20126 WITH MO												
1/8", 1/4"	50	50	102	103	28	25	17	10.5	M6	50	AL, BR	9
3/8", 1/2"	65	50	102	103	28	25	14	14	M6	50	AL, BR	10
1/4"	44	Ø48	91	103	28	25	17	10.5	M6	50	SS	13
1/2"	58	Ø62	111	103	29	25	14	14	M6	50	SS	14
VALVE TYPE : 20123, 20124 WITH MO												
3/8", 1/2"	65	50	108	103	28	25	15	21	M6	50	AL, BR	11

2/2 DIRECT ACTING NORMALLY CLOSED SOLENOID VALVE

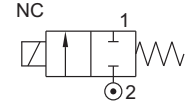
TYPE	PRESSURE
211A	0 - 14 bar
211B	0 - 8 bar
211C	0 - 5 bar



TYPE	PRESSURE
202A	0 - 14 bar
202B	0 - 8 bar
202C	0 - 5 bar

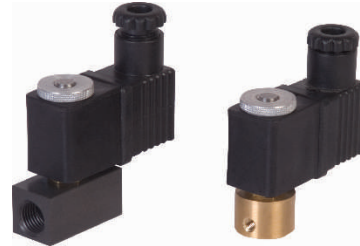


TYPE	PRESSURE
201A	0 - 14 bar
201B	0 - 8 bar
201C	0 - 5 bar



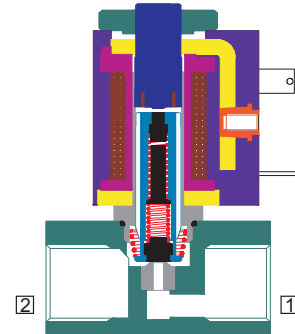
FEATURES

- Bubble tight shut off
- Vibration resistance up to 5g
- Mounts in any position
- Suitable for high speed cycling
- Speed up to 1000 cycles/ min.
- Life >10 million cycles



WETTED PARTS

Code	※	B2	B5
Body	Anodized Aluminium	Brass	SS 316
Internals	Aluminium	Brass	SS 316
Guide Assembly	Brass/ SS 304		
Shadow-Ring	Copper		
Plunger, Insert	SS 430		
Spring	SS 302		
Seat, Seals	NBR, Viton, EPDM		



AMBIENT AND FLUID TEMPERATURE

-20 °C to 70 °C

SPECIAL VERSION AND SUFFIX

Suffix : (Valve) WO
Special version : (Solenoid)

MEDIA

Air, Inert Gases, Water, Vacuum, Free Flowing Liquid, Oil, Diesel, Kerosene, LPG

APPLICATION

Drain and Dispensing

PORT CONNECTION

INLET	OUTLET
2	1

SPARES

(Refer page 25 for ordering code)

SPARE KIT	CODE
Seal Kit : Oring Set and Plunger Assembly	98
Repair Kit : Oring Set, Plunger Assembly, Springs	99
Solenoid Kit : Solenoid, Gasket and Nut	34

APPROVAL

(★ applied for)

Approval	Nema 4X	IP67	Ex d IIC T4 or T5 or T6 IP66	Ex ia IIC T6 IP67	DGMS	CCOE
		✓				
		✓				

Contact Rotex for

- Any other ambient, fluid temperature, media and application



Recommended for indoor application

2/2 DIRECT ACTING NORMALLY CLOSED SOLENOID VALVE

SPECIFICATION

PORT CONNECTION			PRE-SURE bar		ORIFICE (mm)	FLOW FACTOR kv (LPM OF WATER @ 1 bar ΔP)	VALVE TYPE	PILOT PRESSURE	BODY MATERIAL AND INTERNALS					SEALS					MANUAL OVERRIDE			SOLENOID ENCLOSURE		SUFFIX	POWER VA		CONSTRUCTION REFERENCE NUMBER	
SIZE	BSP(F)	NPT(F)	MINIMUM	MAXIMUM					ALUMINIUM	ALUMINIUM + SS	BRASS (STD. PORT NPT)	SS 316/CF8M (STD. PORT NPT)	NBR	Viton	EPDM	HYTREL	PTFE	NIL	STAY/PUT CUM MOMENTARY	FLYING LEAD	PLUG IN, IP67	SQ. PLUG IN, IP67	TERMINAL BOX IP67		FPJB	Exd IIC, T4 OR T6, IP67		LARGE ENCLOSURE

2/2 NORMALLY CLOSED

M5			0	5	2.5	211C	×	B2	B5	×	S2			×									8	✓	12	6	5	15	
			0	8	2	211B	×	B2	B5	×	S2				×									8	✓	12	6	5	15
			0	14	1.5	211A	×	B2	B5	×	S2					×									8	✓	12	6	5
1/8"	1G	1R	0	5	2.5	201C	×	B2	B5	×	S2			×									8	✓	12	6	5	15	
			0	8	2	201B	×	B2	B5	×	S2				×									8	✓	12	6	5	15
			0	14	1.5	201A	×	B2	B5	×	S2					×									8	✓	12	6	5
1/4"	2G	2R	0	5	2.5	202C	×	B2	B5	×	S2			×									8	✓	12	6	5	15	
			0	8	2	202B	×	B2	B5	×	S2				×									8	✓	12	6	5	15
			0	14	1.5	202A	×	B2	B5	×	S2					×									8	✓	12	6	5

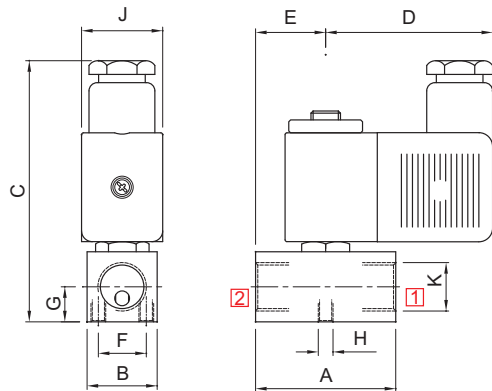
× = Do not specify when opted for
 ✓ = Options available

ORDERING CODE AND EXAMPLE VALVE + SOLENOID

TYPE – SUFFIX – ORIFICE – PORT CONNECTION – BODY AND INTERNALS – SEAL + SIZE – VOLTAGE – CURRENT – SOLENOID ENCLOSURE – APPROVAL – INSULATION
 eg.: 211C+24V DC-22; 202C-B5-S2+220V AC-22

DIMENSIONS

All Dimensions are in mm



PLUG IN SOLENOID TYPE 22

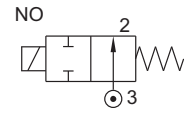
K (PORT SIZE)	A	B	C	D	E	F	G	H	J	CONST. REF.
VALVE TYPE : 201										
1/8"	38	19	70	45	19	13	9.5	M4	22	15
VALVE TYPE : 202										
1/4"	38	19	70	45	19	13	8.5	M4	22	15
VALVE TYPE : 211										
M5	38	19	70	45	19	13	9.5	M4	22	15

2/2 DIRECT ACTING NORMALLY OPEN SOLENOID VALVE

TYPE	PRESSURE

TYPE	PRESSURE

TYPE	PRESSURE
20201	0 - 20 bar
20202	0 - 63 bar



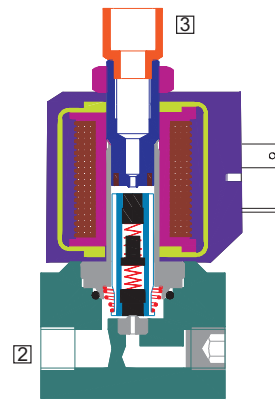
FEATURES

- Bubble tight shut off
- Manual override optionally provided
- Suitable for vacuum up to 10^{-6} torr
- Vibration resistance up to 9g
- Suitable for high speed cycling
- Speed up to 1000 cycles/ min
- Life >10 million cycles



WETTED PARTS

Code	※	B2	B5
Body	Anodized Aluminium	Brass	SS 316
Internals	Aluminium	Brass	SS 316
Guide Assembly	SS 304		
Shadow-Ring	Copper/ Silver/ None		
Plunger, Insert	SS 430		
Spring	SS 302		
Seat, Seals	NBR, Viton, EPDM, PTFE		



AMBIENT AND FLUID TEMPERATURE

-20 °C to 80 °C

SPECIAL VERSION AND SUFFIX

Suffix : (Valve) OX, AM, WO
Special version : (Solenoid) CO, FR, SS, LC, III, TM

MEDIA

Air, Inert Gases, Water, Vacuum, Free Flowing Liquid, Oil, Diesel, Kerosene, LPG, Furnace Oil

APPLICATION

Drain and Dispensing

PORT CONNECTION

INLET	OUTLET
3	2

- Contact Rotex for
- Any other ambient, fluid temperature, media and application
 - UL listed, Listed general purpose Valve



2/2 DIRECT ACTING NORMALLY OPEN SOLENOID VALVE

SPECIFICATION

PORT CONNECTION			PRE-SURE bar		ORIFICE (mm)	FLOW FACTOR kv (LPM OF WATER @ 1 bar ΔP)	VALVE TYPE	PILOT PRESSURE	BODY MATERIAL AND INTERNALS						SEALS					MANUAL OVERRIDE		SOLENOID ENCLOSURE				SUFFIX		POWER VA		CONSTRUCTION REFERENCE NUMBER
SIZE	BSP(F)	NPT(F)	MINIMUM	MAXIMUM					ALUMINIUM	ALUMINIUM + SS	BRASS (STD. PORT NPT)	SS 316/CF8M (STD. PORT NPT)	NBR	Viton	EPDM	HYTREL	PTFE	NIL	STAYPUT CUM MOMENTARY	FLYING LEAD	PLUG IN, IP67	SQ. PLUG IN, IP67	TERMINAL BOX IP67	FPJB Ex d IIC, T4 OR T6, IP67	LARGE ENCLOSURE	SOLENOID SIZE	OXYGEN	AMONIA	AC INRUSH	

2/2 NORMALLY OPEN

1/8"	1G	1R	0 10 1.8 1.8	20201	*	B2 B5	*	S2 S1	S8	*	M6 M8	F	22	25	T	E	III	14	✓	✓	18	12	8	J
			0 32 1.8 1.8	20202	*	B2 B5	*	S2 S1	S8	*	M12 M5	F		25	T	E		18	✓	✓	13	13	13	K
1/4"	2G	2R	0 3 5 9	20202	*	B2 B5	*	S2 S1	S8	*	M6 M8	F		25	T	E		18	✓	✓	13	13	13	K
			0 4 3 4	20201	*	B2 B5	*	S2 S1	S8	*	M6 M8	F	22	25	T	E	III	14	✓	✓	18	12	8	J
			0 6 2.5 3.5	20201	*	B2 B5	*	S2 S1	S8	*	M6 M8	F	22	25	T	E	III	14	✓	✓	18	12	8	J
			0 6 4 7	20202	*	B2 B5	*	S2 S1	S8	*	M6 M8	F		25	T	E		18	✓	✓	13	13	13	K
			0 8 2.2 2.5	20201	*	B2 B5	*	S2 S1	S8	*	M6 M8	F	22	25	T	E	III	14	✓	✓	18	12	8	J
			0 8 3.5 5	20202	*	B2 B5	*	S2 S1	S8	*	M6 M8	F		25	T	E		18	✓	✓	13	13	13	K
			0 10 1.8 1.8	20201	*	B2 B5	*	S2 S1	S8	*	M6 M8	F	22	25	T	E	III	14	✓	✓	18	12	8	J
			0 12 3 4	20202	*	B2 B5	*	S2 S1	S8	*	M6 M8	F		25	T	E		18	✓	✓	13	13	13	K
			0 15 1.6 1.4	20201	*	B2 B5	*	S2 S1	S8	*	M6 M8	F	22	25	T	E	III	14	✓	✓	18	12	8	J
			0 15 2.5 3.5	20202	*	B2 B5	*	S2 S1	S8	*	M6 M8	F		25	T	E		18	✓	✓	13	13	13	K
			0 20 1.2 0.7	20201	*	B2 B5	*	S2 S1	S8	*	M6 M8	F	22	25	T	E	III	14	✓	✓	18	12	8	J
			0 25 2.2 2.5	20202	*	B2 B5	*	S2 S1	S8	*	M6 M8	F		25	T	E		18	✓	✓	13	13	13	K
			0 32 1.8 1.8	20202	*	B2 B5	*	S2 S1	S8	*	M12 M5	F		25	T	E		18	✓	✓	13	13	13	K
			0 40 1.6 1.4	20202	*	B2 B5	*	S2 S1	S8	*	M12 M5	F		25	T	E		18	✓	✓	13	13	13	K
0 63 1.2 0.7	20202	*	B2 B5				*	M11 M4	F		25	T	E		18	✓	✓	13	13	13	K			
3/8"	3G	3R	0 3 5 9	20202	*	B2 B5	*	S2 S1	S8	*	M6 M8	F		25	T	E		18	✓	✓	13	13	13	H
			0 4 3 4	20201	*	B2 B5	*	S2 S1	S8	*	M6 M8	F	22	25	T	E	III	14	✓	✓	18	12	8	G
			0 6 4 7	20202	*	B2 B5	*	S2 S1	S8	*	M6 M8	F		25	T	E		18	✓	✓	13	13	13	H
			0 12 3 4	20202	*	B2 B5	*	S2 S1	S8	*	M6 M8	F		25	T	E		18	✓	✓	13	13	13	H
			0 3 5 9	20202	*	B2 B5	*	S2 S1	S8	*	M6 M8	F		25	T	E		18	✓	✓	13	13	13	H
			0 4 3 4	20201	*	B2 B5	*	S2 S1	S8	*	M6 M8	F	22	25	T	E	III	14	✓	✓	18	12	8	G
			0 6 2.5 3.5	20201	*	B2 B5	*	S2 S1	S8	*	M6 M8	F	22	25	T	E	III	14	✓	✓	18	12	8	G
			0 6 4 7	20202	*	B2 B5	*	S2 S1	S8	*	M6 M8	F		25	T	E		18	✓	✓	13	13	13	H
			0 8 2.2 2.5	20201	*	B2 B5	*	S2 S1	S8	*	M6 M8	F	22	25	T	E	III	14	✓	✓	18	12	8	G
			0 8 3.5 5	20202	*	B2 B5	*	S2 S1	S8	*	M6 M8	F		25	T	E		18	✓	✓	13	13	13	H
			0 10 1.8 1.8	20201	*	B2 B5	*	S2 S1	S8	*	M6 M8	F	22	25	T	E	III	14	✓	✓	18	12	8	G
			0 12 3 4	20202	*	B2 B5	*	S2 S1	S8	*	M6 M8	F		25	T	E		18	✓	✓	13	13	13	H
			0 15 2.5 3.5	20202	*	B2 B5	*	S2 S1	S8	*	M6 M8	F		25	T	E		18	✓	✓	13	13	13	H
			0 20 1.2 0.7	20201	*	B2 B5	*	S2 S1	S8	*	M6 M8	F	22	25	T	E	III	14	✓	✓	18	12	8	G
0 25 2.2 2.5	20202	*	B2 B5	*	S2 S1	S8	*	M6 M8	F		25	T	E		18	✓	✓	13	13	13	H			
0 32 1.8 1.8	20202	*	B2 B5	*	S2 S1	S8	*	M12 M5	F		25	T	E		18	✓	✓	13	13	13	H			
0 63 1.2 0.7	20202	*	B2 B5				*	M11 M4	F		25	T	E		18	✓	✓	13	13	13	H			

Cable Entry	T	E	F	* = Do not specify when opted for	Code	Construction Reference
M20 x 1.5	19	39	*	✓ = Options available	J	16, 18, 20, 22
1/2" NPT	16	37	01		K	17, 19, 21, 26
					G	23, 27
					H	24, 25

ORDERING CODE AND EXAMPLE VALVE + SOLENOID

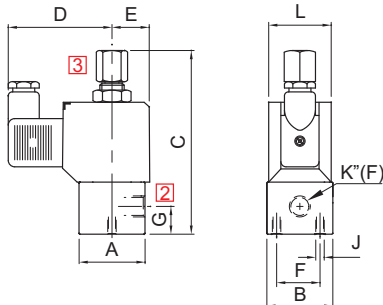
TYPE – SUFFIX – ORIFICE – PORT CONNECTION – BODY AND INTERNALS – MANUAL OVERRIDE – SEAL + SIZE – VOLTAGE – CURRENT – SOLENOID ENCLOSURE – APPROVAL – INSULATION – SPECIAL VERSION

eg.: 20202- 5-3G+110V DC-16; 20201-3-2R-B2-M8-S1+48V DC-16

2/2 DIRECT ACTING NORMALLY OPEN SOLENOID VALVE

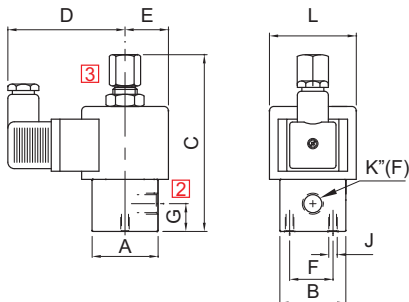
DIMENSIONS

All Dimensions are in mm



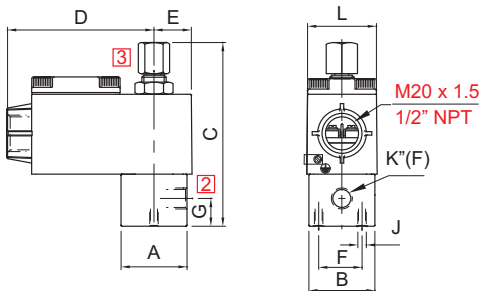
PLUG IN SOLENOID TYPE 22

K (PORT SIZE)	A	B	C	D	E	F	G	J	L	BODY MATL.	CONST. REF.
VALVE TYPE : 20201											
1/8"	38	38	103	60	22	25	16	M6	36	AL, BR	16
3/8", 1/2"	60	38	115	60	22	25	20.5	M6	36	AL, BR	17
1/8", 1/4"	44	Ø48	111	60	22	25	17	M6	36	SS	18
3/8", 1/2"	58	Ø62	131	60	22	25	14	M6	36	SS	19



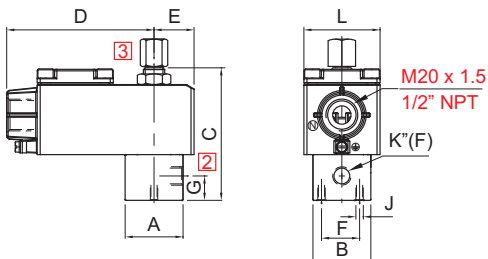
SQUARE PLUG IN SOLENOID TYPE 25

K (PORT SIZE)	A	B	C	D	E	F	G	J	L	BODY MATL.	CONST. REF.
VALVE TYPE : 20201											
1/8", 1/4"	38	38	103	66	25	25	16	M6	Ø50	AL, BR	20
1/8", 1/4"	60	38	115	66	25	25	20.5	M6	Ø50	AL, BR	21
1/8", 1/4"	44	Ø48	111	66	25	25	17	M6	Ø50	SS	22
1/2"	58	Ø62	131	68	29	25	14	M6	Ø50	SS	26
VALVE TYPE : 20201											
1/8", 1/4"	50	50	124	68	25	25	17	M6	Ø50	AL, BR	23
1/8", 1/4"	65	50	124	68	25	25	14	M6	Ø50	AL, BR	24
3/8", 1/2"	58	Ø62	131	68	29	25	14	M6	Ø50	SS	25
1/4"	44	Ø48	111	68	25	25	17	M6	Ø50	SS	27



TERMINAL BOX/ Ex d ENCLOSURE, TYPE 16,19,37,39

K (PORT SIZE)	A	B	C	D	E	F	G	J	L	BODY MATL.	CONST. REF.
VALVE TYPE : 20201											
1/8", 1/4"	38	38	103	85	22	25	16	M6	36	AL, BR	16
1/8", 1/4"	60	38	115	85	22	25	20.5	M6	36	AL, BR	17
1/8", 1/4"	44	Ø48	111	85	22	25	17	M6	36	SS	18
1/8", 1/4"	58	Ø62	131	85	22	25	14	M6	36	SS	19



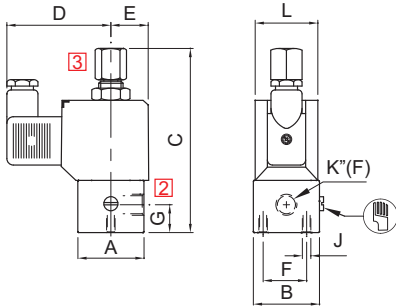
TERMINAL BOX/ Ex d LARGE ENCLOSURE, TYPE 16, 19, 37, 39, LC

K (PORT SIZE)	A	B	C	D	E	F	G	J	L	BODY MATL.	CONST. REF.
VALVE TYPE : 20201											
1/8", 1/4"	38	38	103	97	26	25	16	M6	50	AL, BR	20
3/8", 1/2"	60	38	115	97	26	25	20.5	M6	50	AL, BR	21
1/8", 1/4"	44	Ø48	111	97	26	25	17	M6	50	SS	22
1/2"	58	Ø62	131	103	29	25	14	M6	50	SS	26
VALVE TYPE : 20202											
1/8", 1/4"	50	50	124	103	28	25	17	M6	50	AL, BR	23
3/8", 1/2"	65	50	124	103	28	25	14	M6	50	AL, BR	24
3/8", 1/2"	58	Ø62	131	103	29	25	14	M6	50	SS	25
1/4"	44	Ø48	111	97	25	25	17	M6	50	SS	27

2/2 DIRECT ACTING NORMALLY OPEN SOLENOID VALVE

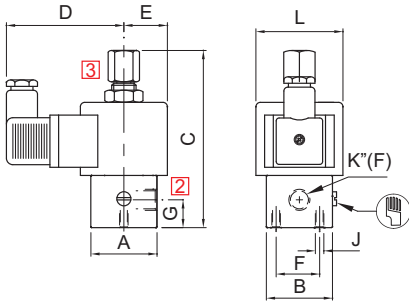
DIMENSIONS

All Dimensions are in mm



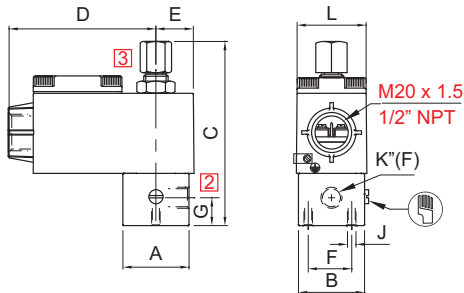
PLUG IN SOLENOID TYPE 22

K (PORT SIZE)	A	B	C	D	E	F	G	J	L	BODY MATL.	CONST. REF.
VALVE TYPE : 20201											
1/8", 1/4"	38	38	103	60	22	25	16	M6	36	AL, BR	16
3/8", 1/2"	60	38	115	60	22	25	20.5	M6	36	AL, BR	17
1/8", 1/4"	44	Ø48	111	60	22	25	17	M6	36	SS	18
3/8", 1/2"	58	Ø62	131	60	22	25	14	M6	36	SS	19



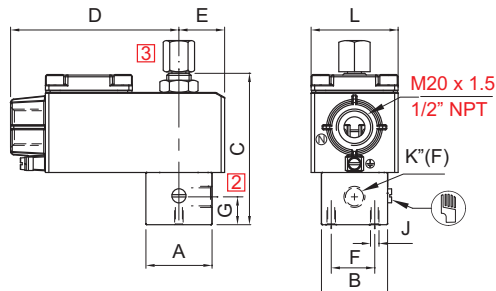
SQUARE PLUG IN SOLENOID TYPE 25

K (PORT SIZE)	A	B	C	D	E	F	G	J	L	BODY MATL.	CONST. REF.
VALVE TYPE : 20201											
1/8", 1/4"	38	38	103	68	25	25	16	M6	Ø50	AL, BR	20
3/8", 1/2"	60	38	115	68	25	25	20.5	M6	Ø50	AL, BR	21
1/8", 1/4"	44	Ø48	111	68	25	25	17	M6	Ø50	SS	22
1/2"	58	Ø62	131	68	29	25	14	M6	Ø50	SS	26
VALVE TYPE : 20201											
1/8", 1/4"	50	50	124	68	25	25	17	M6	Ø50	AL, BR	23
3/8", 1/2"	65	50	124	68	25	25	14	M6	Ø50	AL, BR	24
3/8", 1/2"	58	Ø62	131	68	29	25	14	M6	Ø50	SS	25
1/4"	44	Ø48	111	68	25	25	17	M6	Ø50	SS	27



TERMINAL BOX/ Ex d ENCLOSURE, TYPE 16,19,37,39

K (PORT SIZE)	A	B	C	D	E	F	G	J	L	BODY MATL.	CONST. REF.
VALVE TYPE : 20201											
1/8", 1/4"	38	38	103	85	22	25	16	M6	36	AL, BR	16
3/8", 1/2"	60	38	115	85	22	25	20.5	M6	36	AL, BR	17
1/8", 1/4"	44	Ø48	111	85	22	25	17	M6	36	SS	18
3/8", 1/2"	58	Ø62	131	85	22	25	14	M6	36	SS	19



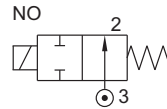
TERMINAL BOX/ Ex d LARGE ENCLOSURE, TYPE 16, 19, 37, 39, LC

K (PORT SIZE)	A	B	C	D	E	F	G	J	L	BODY MATL.	CONST. REF.
VALVE TYPE : 20201											
1/8", 1/4"	38	38	103	97	26	25	16	M6	50	AL, BR	20
3/8", 1/2"	60	38	115	97	26	25	20.5	M6	50	AL, BR	21
1/8", 1/4"	44	Ø48	111	97	26	25	17	M6	50	SS	22
1/2"	58	Ø62	131	103	29	25	14	M6	50	SS	26
VALVE TYPE : 20201											
1/8", 1/4"	50	50	124	103	28	25	17	M6	50	AL, BR	23
3/8", 1/2"	65	50	124	103	28	25	14	M6	50	AL, BR	24
3/8", 1/2"	58	Ø62	131	103	29	25	14	M6	50	SS	25
1/4"	44	Ø48	111	97	25	25	17	M6	50	SS	27

2/2 DIRECT ACTING, NC/ NO (ALL PORTS IN BODY) SOLENOID VALVE

TYPE	PRESSURE

TYPE	PRESSURE
20270	0 - 20 bar

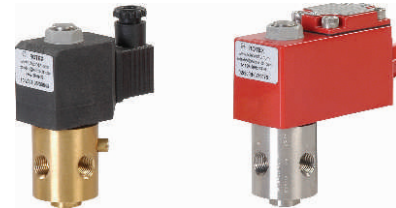


TYPE	PRESSURE
20170	0 - 20 bar



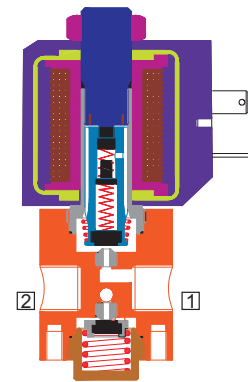
FEATURES

- Bubble tight shut off
- Manual override optionally provided
- Suitable for vacuum up to 10⁻⁶ torr
- Vibration resistance up to 9g
- Suitable for high speed cycling
- Speed up to 1000 cycles/ min.
- Life >10 million cycles



WETTED PARTS

Code		B2	B5
Body		Brass	SS 316
Internals		Brass and Plastic	SS 316 and Plastic
Guide Assembly	SS 304		
Shadow-Ring	Copper/ Silver/ None		
Plunger, Insert	SS 430		
Spring	SS 302		
Seat, Seals	NBR, Viton, EPDM		



AMBIENT AND FLUID TEMPERATURE

-20 °C to 80 °C

SPECIAL VERSION AND SUFFIX

Suffix : (Valve) OX, AM, WO
Special version : (Solenoid) CO, FR, SS, LC, III, TM

MEDIA

Air, Inert gases, Water, Free flowing liquid, Oil, Diesel, Kerosene, LPG

APPLICATION

Analyzer and Dispensing

PORT CONNECTION

ACTION	INLET	OUTLET
NC	1	2
NO	3	2

Contact Rotex for
• Any other ambient, fluid temperature, media and application
• UL listed, Listed general purpose Valve



SPARES

(Refer page 25 for ordering code)

SPARE KIT	CODE
Seal Kit : Oring Set and Plunger Assembly	98
Repair Kit : Oring Set, Plunger Assembly, Springs, Manual Override	99
Solenoid Kit : Solenoid, Gasket and Nut	34

APPROVAL

(* applied for)

Approval	Nema 4X	IP67	Ex d IIC T4 or T5 or T6 IP66	Ex ia IIC T6 IP67	DGMS	CCOE
		✓	✓	✓	✓	✓
CE		✓	✓	✓		
UL	✓		*			
			✓	✓		
			✓	✓		
			*	*		



2/2 DIRECT ACTING, NC/ NO (ALL PORTS IN BODY) SOLENOID VALVE

SPECIFICATION

PORT CONNECTION			PRE-SSURE bar		ORIFICE (mm) FLOW FACTOR kv (LPM OF WATER @ 1 bar ΔP)	VALVE TYPE	PILOT PRESSURE	BODY MATERIAL AND INTERNALS					SEALS					MANUAL OVERRIDE			SOLENOID ENCLOSURE		SUFFIX		POWER VA		CONSTRUCTION REFERENCE NUMBER
SIZE	BSP(F)	NPT(F)	MINIMUM	MAXIMUM				ALUMINIUM	ALUMINIUM + SS	BRASS (STD PORT NPT)	SS 316/CF8M (STD. PORT NPT)	NBR	Viton	EPDM	HYTREL	PTFE	NIL	STAYPUT CUM MOMENTARY	FLYING LEAD	WEATHER PROOF	EXPLOSION PROOF	OXYGEN	AMONIA	AC INRUSH	AC HOLDING	DC	

2/2 NORMALLY CLOSED

1/8"	1G	1R	0 4 3 4	20170	*	B2 B5	*	S2 S1	*	M6 M8	22 25	T E	14	✓	✓	18 12 8	28
			0 6 2.5 3.5	20170	*	B2 B5	*	S2 S1	*	M6 M8	22 25	T E	14	✓	✓	18 12 8	28
			0 10 1.8 1.8	20170	*	B2 B5	*	S2 S1	*	M6 M8	22 25	T E	14	✓	✓	18 12 8	28
			0 20 1.2 0.7	20170	*	B2 B5	*	S2 S1	*	M6 M8	22 25	T E	14	✓	✓	18 12 8	28
1/4"	2G	2R	0 3 3.5 3.5	20170	*	B2 B5	*	S2 S1	*	M6 M8	22 25	T E	14	✓	✓	18 12 8	28
			0 4 3 3	20170	*	B2 B5	*	S2 S1	*	M6 M8	22 25	T E	14	✓	✓	18 12 8	28
			0 6 2.5 2.5	20170	*	B2 B5	*	S2 S1	*	M6 M8	22 25	T E	14	✓	✓	18 12 8	28
			0 10 1.8 1.8	20170	*	B2 B5	*	S2 S1	*	M6 M8	22 25	T E	14	✓	✓	18 12 8	28
			0 20 1.2 0.7	20170	*	B2 B5	*	S2 S1	*	M6 M8	22 25	T E	14	✓	✓	18 12 8	28

2/2 NORMALLY OPEN

1/8"	1G	1R	0 4 3 3	20270	*	B2 B5	*	S2 S1	*	M6 M8	22 25	T E	14	✓	✓	18 12 8	28
			0 6 2.5 2.5	20270	*	B2 B5	*	S2 S1	*	M6 M8	22 25	T E	14	✓	✓	18 12 8	28
			0 10 1.8 1.8	20270	*	B2 B5	*	S2 S1	*	M6 M8	22 25	T E	14	✓	✓	18 12 8	28
			0 20 1.2 0.7	20270	*	B2 B5	*	S2 S1	*	M6 M8	22 25	T E	14	✓	✓	18 12 8	28
1/4"	2G	2R	0 3 3.5 3.5	20270		B2 B5	*	S2 S1	*	M6 M8	22 25	T E	14	✓	✓	18 12 8	28
			0 4 3 3	20270		B2 B5	*	S2 S1	*	M6 M8	22 25	T E	14	✓	✓	18 12 8	28
			0 6 2.5 2.5	20270		B2 B5	*	S2 S1	*	M6 M8	22 25	T E	14	✓	✓	18 12 8	28
			0 10 1.8 1.8	20270		B2 B5	*	S2 S1	*	M6 M8	22 25	T E	14	✓	✓	18 12 8	28
			0 20 1.2 0.7	20270		B2 B5	*	S2 S1	*	M6 M8	22	T E	14	✓	✓	18 12 8	28

Cable Entry	T	E
M20 x 1.5	19	39
1/2" NPT	16	37

* = Do not specify when opted for
✓ = Options available

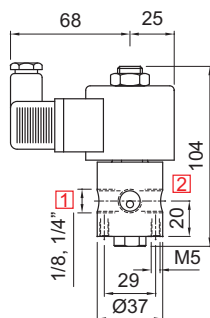
ORDERING CODE VALVE + SOLENOID

TYPE - SUFFIX - ORIFICE - PORT CONNECTION - BODY AND INTERNALS - MANUAL OVERRIDE - SEAL + SIZE - VOLTAGE - CURRENT - SOLENOID ENCLOSURE - APPROVAL - INSULATION - SPECIAL VERSION
e.g. 20270-3-2R+110V 50Hz; 20270-2-5 2G-B2-M6-S2+110V 50Hz-37-H-LC

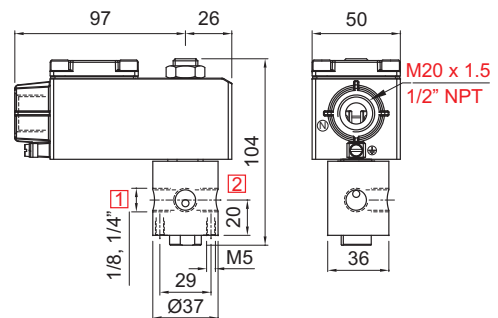
DIMENSIONS

All Dimensions are in mm

CONSTRUCTION REFERENCE NO : 28



PLUG IN SOLENOID TYPE 22/ 25

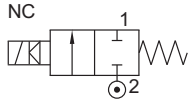


TERMINAL BOX/ EX d/ LARGE ENCLOSURE, TYPE 16, 19, 37, 39

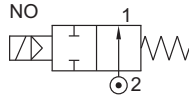


2/2 DIAPHRAGM OPERATED, NORMALLY CLOSED/ OPEN SOLENOID VALVE

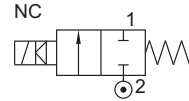
TYPE	PRESSURE
24109	0.5 - 10 bar



TYPE	PRESSURE
24201	0.5 - 10 bar
24202	1 - 20 bar
24203	0.2 - 4 bar



TYPE	PRESSURE
24101	0.5 - 10 bar
24102	1 - 20 bar
24103	0.2 - 4 bar



FEATURES

- Bubble tight shut off
- Manual override optionally provided
- Vibration resistance up to 9g
- Suitable for high speed cycling
- Speed up to 100 cycles/ min.
- Life >2 million cycles

WETTED PARTS

Code	※	B2	B12
Body	Powder Coated Die Cast Aluminium	Brass	CF8M
Diaphragm	Hytrell, Viton, NBR, EPDM		
Guide Assembly	SS 304		
Shadow-Ring	Copper / Silver / None		
Plunger, Insert	SS 430		
Spring	SS 302		
Seat, Seals	NBR, Viton, EPDM		
Fasteners	SS 304		

AMBIENT AND FLUID TEMPERATURE

5° C to 80 °C

SPECIAL VERSION AND SUFFIX

Suffix : (Valve) OX, AM, WO
Special version : (Solenoid) CO, FR, SS, LC, III, TM

MEDIA

Air, Inert gases, Water, Free flowing liquid, Oil, Diesel, Kerosene, LPG, CNG

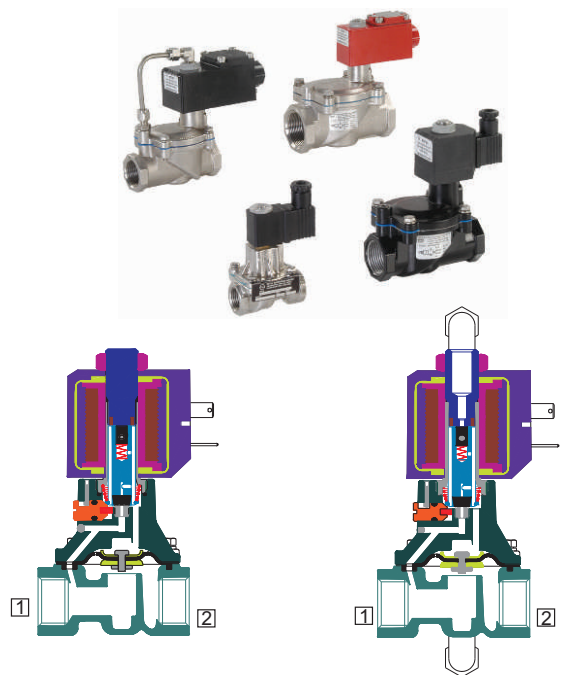
APPLICATION

Drain, Deluge Valve operation, Dispensing

PORT CONNECTION

ACTION	INLET	OUTLET
NC	2	1
NO	2	1

- Contact Rotex for
- Any other ambient, fluid temperature, media and application
 - UL listed, Listed general purpose Valve



SPARES

(Refer page 25 for ordering code)

SPARE KIT	CODE
Diaphragm Kit : Diaphragm Set	100
Seal Kit : Oring Set, Diaphragm, Plunger Assembly	98
Repair Kit : Oring Set, Diaphragm, Plunger Assembly, Fastener, Springs, Manual Override	99
Solenoid Kit : Solenoid, Gasket and Nut	34

APPROVAL

(* applied for)

Approval	Nema 4X	IP67	Ex d IIC T4 or T5 or T6 IP66	Ex ia IIC T6 IP67	DGMS	CCOE
		✓	✓	✓	✓	✓
CE		✓	✓	✓		
UL	✓		*			
			✓	✓		
			✓	✓		
			*	*		

2/2 DIAPHRAGM OPERATED, NORMALLY CLOSED/ OPEN SOLENOID VALVE

SPECIFICATION

PORT CONNECTION			PRE-SURE bar		ORIFICE (mm)	FLOW FACTOR kv (LPM OF WATER @ 1 bar ΔP)	VALVE TYPE	PILOT PRESSURE	BODY MATERIAL AND INTERNALS		SEALS					MANUAL OVERRIDE			SOLENOID ENCLOSURE				SUFFIX		POWER VA		CONSTRUCTION REFERENCE NUMBER
SIZE	BSP(F)	NPT(F)	MINIMUM	MAXIMUM					ALUMINIUM	BRASS	SS 316/CF8M	NBR	Viton	EPDM	HYTREL	PTFE	NIL	STAYPUT CUM MOMENTARY	FLYING LEAD	WEATHER PROOF	EXPLOSION PROOF	OXYGEN	AMONIA	AC INRUSH	AC HOLDING	DC	

2/2 NORMALLY CLOSED

1/2"	4G	4R	0.2	4	12	60	24103	*	B12	*	S2	S1	*	*	M6	M8	F	22	25	T	E	III	14	✓	✓	18	12	8	29
			0.5	10	12	60	24101	*	B12	S0	S2	S1	*	*	M6	M8	F	22	25	T	E	III	14	✓	✓	18	12	8	29
			1	20	12	60	24102	*	B12		S2	S1	*	*	M6	M8	F	22	25	T	E	III	14	✓	✓	18	12	8	29
3/4"	6G	6R	0.2	4	20	110	24103	*	B12	*	S2			*	M6	M8	F	22	25	T	E	III	14	✓	✓	18	12	8	30
			0.5	10	20	110	24101	*	B12	S0	S2	S1	*	*	M6	M8	F	22	25	T	E	III	14	✓	✓	18	12	8	30
			1	20	20	110	24102	*	B12		S2	S1	*	*	M6	M8	F	22	25	T	E	III	14	✓	✓	18	12	8	30
1"	8G	8R	0.2	4	25	185	24103	*	B12	*				*	M6	M8	F	22	25	T	E	III	14	✓	✓	18	12	8	33
			0.5	10	25	185	24109		B12	S0	S2	S1	*	*	M6	M8	F	22	25	T	E	III	14	✓	✓	18	12	8	33
			1	20	25	185	24102V1		B12	S0	S2	S1	*	*	M6	M8	F	22	25	T	E	III	14	✓	✓	18	12	8	31
1 1/4"	10G	10R	0.2	4	40	400	24103		B12	*				*	M6	M8	F	22	25	T	E	III	14	✓	✓	18	12	8	34
			0.5	10	40	400	24101		B12	S0	S2		*	*	M6	M8	F	22	25	T	E	III	14	✓	✓	18	12	8	34
			1	20	40	400	24102		B12		S2		*	*	M6	M8	F	22	25	T	E	III	14	✓	✓	18	12	8	34
1 1/2"	12G	12R	0.2	4	40	440	24103		B12	*				*	M6	M8	F	22	25	T	E	III	14	✓	✓	18	12	8	35
			0.5	10	40	440	24101		B12	S0	S2		*	*	M6	M8	F	22	25	T	E	III	14	✓	✓	18	12	8	35
			1	20	40	440	24102		B12		S2		*	*	M6	M8	F	22	25	T	E	III	14	✓	✓	6	12	8	35
2"	16G	16R	0.2	4	50	650	24103	*	B12	*				*	M6	M8	F	22	25	T	E	III	14	✓	✓	18	12	8	36
			0.5	10	50	650	24101V1		B12	S0			*	*	M6	M8	F	22	25	T	E	III	14	✓	✓	18	12	8	32
			1	20	50	650	24102V1		B12	S0			*	*	M6	M8	F	22	25	T	E	III	14	✓	✓	18	12	5	32
2 1/2"	20G	20R	0.5	10	65	800	24101		B12				*	*	M6	M8	F	22	25	T	E	III	14	✓	✓	18	12	8	85
			1	20	65	800	24102		B12			*	*	M6	M8	F	22	25	T	E	III	14	✓	✓	18	12	8	85	
			0.5	10	80	1000	24101		B12			*	*	M6	M8	F	22	25	T	E	III	14	✓	✓	18	12	8	85	
3"	24G		0.5	10	80	1000	24101		B12			*	*	M6	M8	F	22	25	T	E	III	14	✓	✓	18	12	8	85	
			1	20	80	1000	24102		B12			*	*	M6	M8	F	22	25	T	E	III	14	✓	✓	18	12	8	85	

2/2 NORMALLY OPEN

1/2"	4G	4R	0.2	4	12	60	24203	*	B12	*	S2			*	M6	M8	F	22	25	T	E	III	14	✓	✓	18	12	8	37
			0.5	10	12	60	24201	*	B12	S2	S1	*	*	M6	M8	F	22	25	T	E	III	14	✓	✓	18	12	8	37	
			1	20	12	60	24202	*	B12		S2	S1	*	*	M6	M8	F	22	25	T	E	III	14	✓	✓	18	12	8	37
3/4"	6G	6R	0.2	4	20	110	24203	*	B12	*	S2			*	M6	M8	F	22	25	T	E	III	14	✓	✓	18	12	8	38
			0.5	10	20	110	24201	*	B12	S2	S1	*	*	M6	M8	F	22	25	T	E	III	14	✓	✓	18	12	8	38	
			1	20	20	110	24202	*	B12		S2	S1	*	*	M6	M8	F	22	25	T	E	III	14	✓	✓	18	12	8	38
1"	8G	8R	0.2	4	25	185	24203	*	B12	*	S2			*	M6	M8	F	22	25	T	E	III	14	✓	✓	18	12	8	39
			0.5	10	25	185	24201V1		B12	*	S2	S1		*	M6	M8	F	22	25	T	E	III	14	✓	✓	18	12	8	39
			1	20	25	185	24202V1		B12	*	S2	S1		*	M6	M8	F	22	25	T	E	III	14	✓	✓	18	12	8	39
1 1/4"	10G	10R	0.2	4	40	400	24203		B12	*	S2			*	M6	M8	F	22	25	T	E	III	14	✓	✓	18	12	8	42
			0.5	10	40	400	24201		B12	S2	S1	*	*	M6	M8	F	22	25	T	E	III	14	✓	✓	18	12	8	42	
			1	20	40	400	24202		B12		S2	S1	*	*	M6	M8	F	22	25	T	E	III	14	✓	✓	18	12	8	42
1 1/2"	12G	12R	0.2	4	40	440	24203		B12	*	S2			*	M6	M8	F	22	25	T	E	III	14	✓	✓	18	12	8	43
			0.5	10	40	440	24201		B12	S2	S1	*	*	M6	M8	F	22	25	T	E	III	14	✓	✓	18	12	8	43	
			1	20	40	440	24202		B12		S2	S1	*	*	M6	M8	F	22	25	T	E	III	14	✓	✓	18	12	8	43
2"	16G	16R	0.2	4	50	650	24203		B12	*	S2			*	M6	M8	F	22	25	T	E	III	14	✓	✓	18	12	8	40
			0.5	10	50	650	24201V1		B12	S2	S1	*	*	M6	M8	F	22	25	T	E	III	14	✓	✓	18	12	8	40	
			1	20	50	650	24202V1		B12	S2	S1	*	*	M6	M8	F	22	25	T	E	III	14	✓	✓	18	12	8	40	
2 1/2"	20G	20R	0.5	10	65	800	24201		B12			*	*	M6	M8	F	22	25	T	E	III	14	✓	✓	18	12	8	85	
			1	20	65	800	24202		B12			*	*	M6	M8	F	22	25	T	E	III	14	✓	✓	18	12	8	85	
			0.5	10	80	1000	24201		B12			*	*	M6	M8	F	22	25	T	E	III	14	✓	✓	18	12	8	85	
3"	24G		0.5	10	80	1000	24201		B12			*	*	M6	M8	F	22	25	T	E	III	14	✓	✓	18	12	8	85	
			1	20	80	1000	24202		B12			*	*	M6	M8	F	22	25	T	E	III	14	✓	✓	18	12	8	85	

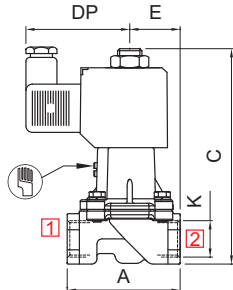
Cable Entry	T	E							F	* = Do not specify when opted for ✓ = Options available
M20 x 1.5	19	39							*	
1/2" NPT	16	37							01	

2/2 DIAPHRAGM OPERATED, NORMALLY CLOSED/ OPEN SOLENOID VALVE

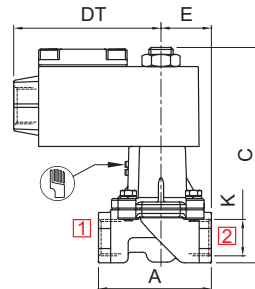
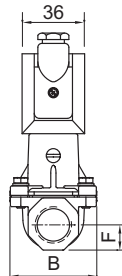
ORDERING CODE VALVE + SOLENOID

TYPE – SUFFIX – ORIFICE – PORT CONNECTION – BODY AND INTERNALS – MANUAL OVERRIDE – SEAL
 SIZE – VOLTAGE – CURRENT – SOLENOID ENCLOSURE – APPROVAL – INSULATION – SPECIAL VERSION
 e.g. 24101-12-4G+220V 50Hz-22; 24102-25-B12-M6-S2+220V 50Hz-16

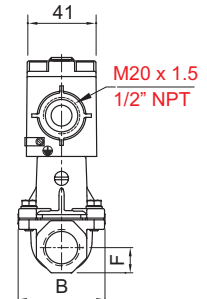
DIMENSIONS All Dimensions are in mm



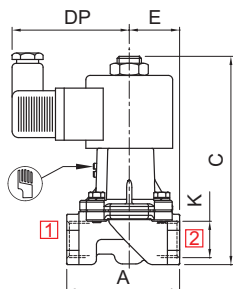
MANUAL OVERRIDE OPTIONALLY PROVIDED
PLUG IN SOLENOID TYPE 22



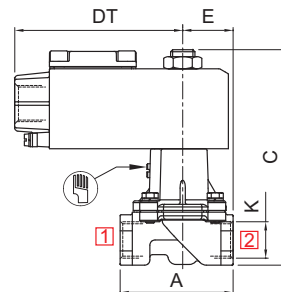
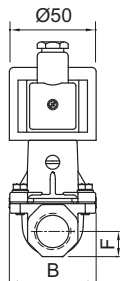
MANUAL OVERRIDE OPTIONALLY PROVIDED
TERMINAL BOX/ Ex d LARGE ENCLOSURE, TYPE 16, 19, 37, 39, LC



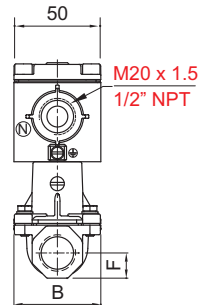
NW	K (PORT SIZE)	A	B	C	DP	DT	E	F	CONST. REF.
VALVE TYPE : 24101, 24102, 24103									
12	1/2", 3/8", 1/4"	65	50	124	60	85	29	15	29
20	3/4"	84	64	134	60	85	42	17	30
25	1"	110	93	148	60	85	51	25	31
50	2"	165	170	186	60	85	76	38	32



MANUAL OVERRIDE OPTIONALLY PROVIDED
SQUARE PLUG IN SOLENOID TYPE 25



MANUAL OVERRIDE OPTIONALLY PROVIDED
TERMINAL BOX/ Ex d LARGE ENCLOSURE, TYPE 16, 19, 37, 39, LC

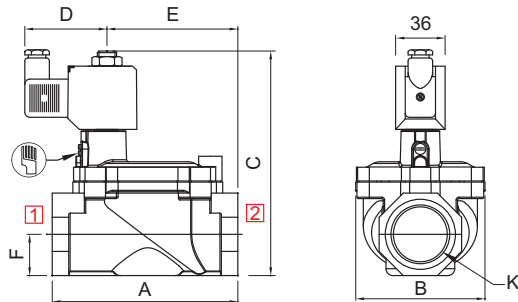


NW	K (PORT SIZE)	A	B	C	DP	DT	E	F	CONST. REF.
VALVE TYPE : 24101, 24102, 24103									
12	1/2", 3/8", 1/4"	65	50	124	66	97	29	15	29
20	3/4"	84	64	134	66	97	42	17	30
25	1"	110	93	148	66	97	51	25	31
50	2"	165	170	186	66	97	76	38	32

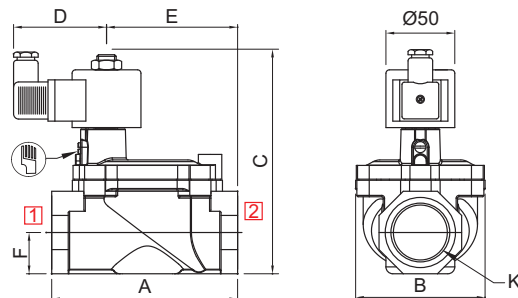
2/2 DIAPHRAGM OPERATED, NORMALLY CLOSED/ OPEN SOLENOID VALVE

DIMENSIONS

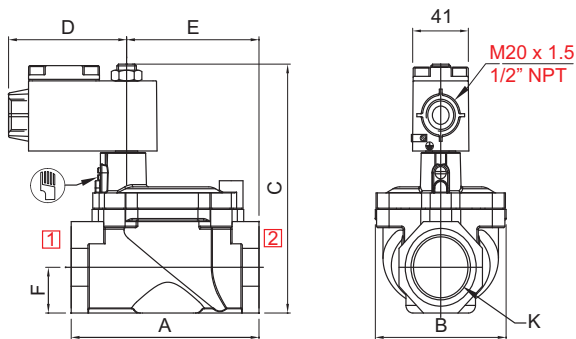
All Dimensions are in mm



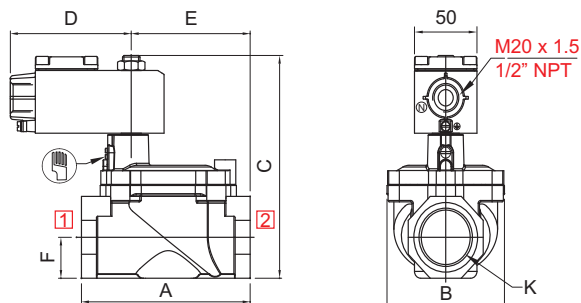
MANUAL OVERRIDE OPTIONALLY PROVIDED



MANUAL OVERRIDE OPTIONALLY PROVIDED



MANUAL OVERRIDE OPTIONALLY PROVIDED



MANUAL OVERRIDE OPTIONALLY PROVIDED

PLUG IN SOLENOID TYPE 22

NW	K (PORT SIZE)	A	B	C	D	E	F	CONST. REF.
VALVE TYPE : 24109, 24101								
25	1"	110	82	146	60	76	22	33
40	1 1/4"	135	94	163	60	95	30	34
40	1 1/2"	135	94	163	60	95	30	35
50	2"	165	140	180	60	128	38	36
65	2 1/2"	200	169	205	60	159	45	54
80	3"	235	198	230	60	194	53	56

SQUARE PLUG IN SOLENOID TYPE 25

NW	K (PORT SIZE)	A	B	C	D	E	F	CONST. REF.
VALVE TYPE : 24109, 24101								
25	1"	110	82	146	68	76	22	33
40	1 1/4"	135	94	163	68	95	30	34
40	1 1/2"	135	94	163	68	95	30	35
50	2"	165	140	180	68	128	38	36
65	2 1/2"	200	169	205	68	159	45	54
80	3"	235	198	230	68	194	53	56

TERMINAL BOX/ Ex d ENCLOSURE, TYPE 16, 19, 37, 39

NW	K (PORT SIZE)	A	B	C	D	E	F	CONST. REF.
VALVE TYPE : 24109, 24101								
25	1"	110	82	146	85	76	22	33
40	1 1/4"	135	94	163	85	95	30	34
40	1 1/2"	135	94	163	85	95	30	35
50	2"	165	140	180	85	128	38	36
65	2 1/2"	200	169	205	85	159	45	54
80	3"	235	198	230	85	194	53	56

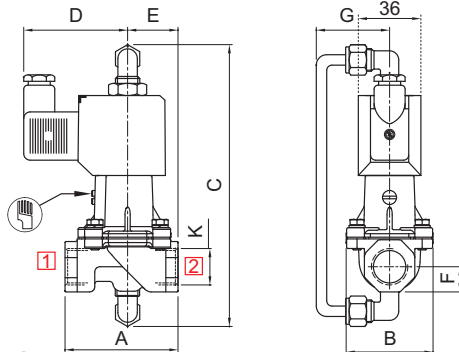
TERMINAL BOX/ Ex d LARGE ENCLOSURE, TYPE 16, 19, 37, 39, LC

NW	K (PORT SIZE)	A	B	C	D	E	F	CONST. REF.
VALVE TYPE : 24109, 24101								
25	1"	110	82	146	97	76	22	33
40	1 1/4"	135	94	163	97	95	30	34
40	1 1/2"	135	94	163	97	95	30	35
50	2"	165	140	180	97	128	38	36
65	2 1/2"	200	169	205	97	159	45	54
80	3"	235	198	230	97	194	53	56

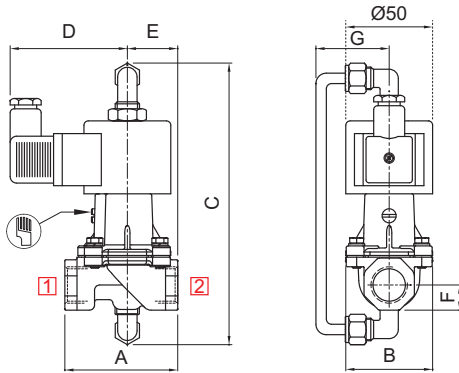
2/2 DIAPHRAGM OPERATED, NORMALLY CLOSED/ OPEN SOLENOID VALVE

DIMENSIONS

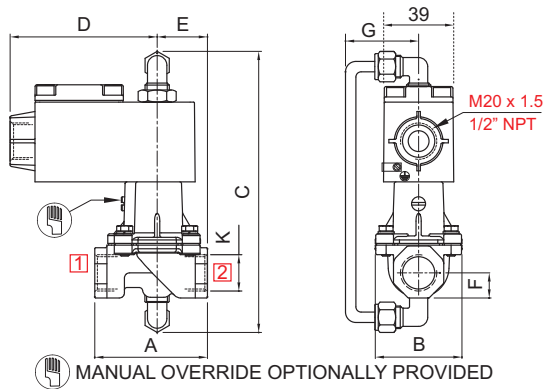
All Dimensions are in mm



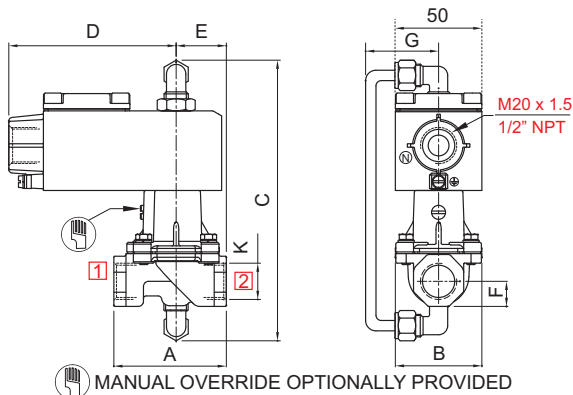
MANUAL OVERRIDE OPTIONALLY PROVIDED



MANUAL OVERRIDE OPTIONALLY PROVIDED



MANUAL OVERRIDE OPTIONALLY PROVIDED



MANUAL OVERRIDE OPTIONALLY PROVIDED

PLUG IN SOLENOID TYPE 22

NW	K (PORT SIZE)	A	B	C	D	E	F	G	CONST. REF.
VALVE TYPE : 24201									
12	1/2", 3/8", 1/4"	65	50	163	60	29	15	42	37
20	3/4"	84	64	178	60	42	17	48	38
25	1"	110	93	187	60	51	25	61	39
50	2"	165	170	227	60	76	38	101	40

SQUARE PLUG IN SOLENOID TYPE 25

NW	K (PORT SIZE)	A	B	C	D	E	F	G	CONST. REF.
VALVE TYPE : 24201									
12	1/2", 3/8", 1/4"	65	50	163	68	29	15	42	37
20	3/4"	84	64	178	68	42	17	48	38
25	1"	110	93	187	68	51	25	61	39
50	2"	165	170	227	68	76	38	101	40

TERMINAL BOX/ Ex d ENCLOSURE, TYPE 16, 19, 37, 39

NW	K (PORT SIZE)	A	B	C	D	E	F	G	CONST. REF.
VALVE TYPE : 24201									
12	1/2", 3/8", 1/4"	65	50	163	85	29	15	42	37
20	3/4"	84	64	178	85	42	17	48	38
25	1"	110	93	187	85	51	25	61	39
50	2"	165	170	227	85	76	38	101	40

TERMINAL BOX/ Ex d LARGE ENCLOSURE, TYPE 16, 19, 37, 39, LC

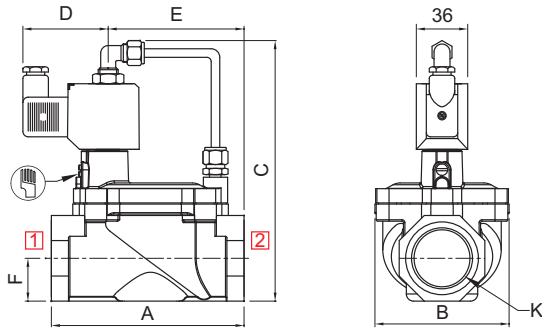
NW	K (PORT SIZE)	A	B	C	D	E	F	G	CONST. REF.
VALVE TYPE : 24201									
12	1/2", 3/8", 1/4"	65	50	163	97	29	15	42	37
20	3/4"	84	64	178	97	42	17	48	38
25	1"	110	93	187	97	51	25	61	39
50	2"	165	170	227	97	76	38	101	40



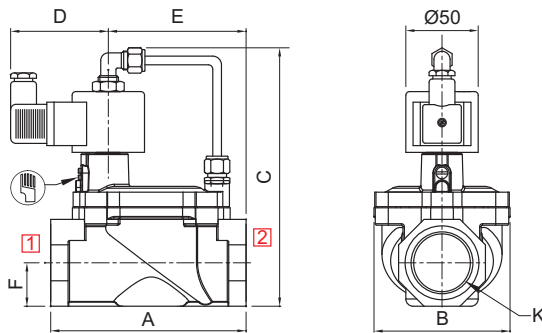
2/2 DIAPHRAGM OPERATED, NORMALLY CLOSED/ OPEN SOLENOID VALVE

DIMENSIONS

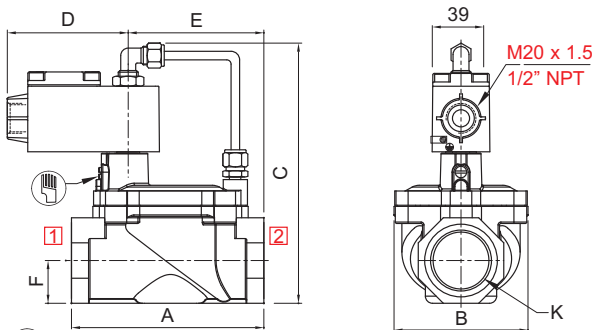
All Dimensions are in mm



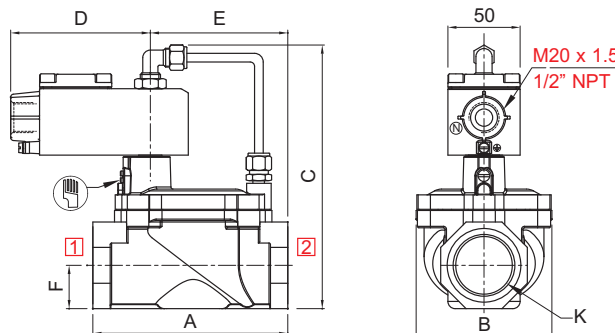
MANUAL OVERRIDE OPTIONALLY PROVIDED



MANUAL OVERRIDE OPTIONALLY PROVIDED



MANUAL OVERRIDE OPTIONALLY PROVIDED



MANUAL OVERRIDE OPTIONALLY PROVIDED

PLUG IN SOLENOID TYPE 22

NW	K (PORT SIZE)	A	B	C	D	E	F	CONST. REF.
VALVE TYPE : 24209, 24201								
25	1"	110	82	164	60	76	22	41
40	1 1/4"	135	94	182	60	95	30	42
40	1 1/2"	135	94	182	60	95	30	43
50	2"	185	140	200	60	128	38	44
65	2 1/2"	200	169	205	60	159	45	83
80	3"	235	198	230	60	194	53	89

SQUARE PLUG IN SOLENOID TYPE 25

NW	K (PORT SIZE)	A	B	C	D	E	F	CONST. REF.
VALVE TYPE : 24209, 24201								
25	1"	110	82	164	68	76	22	41
40	1 1/4"	135	94	182	68	95	30	42
40	1 1/2"	135	94	182	68	95	30	43
50	2"	185	140	200	68	128	38	44
65	2 1/2"	200	169	205	68	159	45	83
80	3"	235	198	230	68	194	53	89

TERMINAL BOX/ Ex d ENCLOSURE, TYPE 16, 19, 37, 39

NW	K (PORT SIZE)	A	B	C	D	E	F	CONST. REF.
VALVE TYPE : 24209, 24201								
25	1"	110	82	164	85	76	22	41
40	1 1/4"	135	94	182	85	95	30	42
40	1 1/2"	135	94	182	85	95	30	43
50	2"	185	140	200	85	128	38	44
65	2 1/2"	200	169	205	85	159	45	83
80	3"	235	198	230	85	194	53	89

TERMINAL BOX/ Ex d LARGE ENCLOSURE, TYPE 16, 19, 37, 39, LC

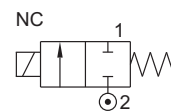
NW	K (PORT SIZE)	A	B	C	D	E	F	CONST. REF.
VALVE TYPE : 24209, 24201								
25	1"	110	82	164	97	76	22	41
40	1 1/4"	135	94	182	97	95	30	42
40	1 1/2"	135	94	182	97	95	30	43
50	2"	185	140	200	97	128	38	44
65	2 1/2"	200	169	205	97	159	45	83
80	3"	235	198	230	97	194	53	89

2/2 DIRECT ACTING, HIGH ORIFICE NORMALLY CLOSED SOLENOID VALVE

TYPE	PRESSURE

TYPE	PRESSURE

TYPE	PRESSURE
20172	0 - 10 bar



FEATURES

- Bubble tight shut off
- Vibration resistance up to 9g
- Suitable for high speed cycling
- Speed up to 100 cycles/ min.
- Life >2 million cycles
- Mounting Solenoid Vertical only.

WETTED PARTS

Code	※	B2	B12
Body	Powder Coated Die Cast Aluminium	Brass	CF8M
Diaphragm	Viton, NBR, EPDM		
Guide Assembly	SS 304		
Shadow-Ring	Copper		
Plunger, Insert	SS 430		
Spring	SS 302		
Seat, Seals	NBR, Viton, EPDM		
Fasteners	SS 304		

AMBIENT AND FLUID TEMPERATURE

-20 °C to 80 °C

SPECIAL VERSION AND SUFFIX

Suffix : (Valve) OX, AM, WO
Special version : (Solenoid) CO, FR, SS, LC

MEDIA

Air, Inert gases, Water, Free flowing liquid, Oil, Diesel, Kerosene, LPG, CNG

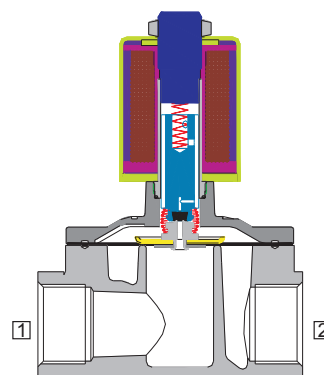
APPLICATION

Drain shut off

PORT CONNECTION

ACTION	INLET	OUTLET
NC	2	1

AML



SPARES (Refer page 25 for ordering code)

SPARE KIT	CODE
Diaphragm Kit : Diaphragm Set	100
Seal Kit : Oring Set Diaphragm, Plunger Assembly	98
Repair Kit : Oring Set, Diaphragm, Plunger Assembly, Fastener, Springs	99
Solenoid Kit : Solenoid, Gasket and Nut	34

APPROVAL (* applied for)

Approval	Nema 4X	IP67	Ex d IIC T4 or T5 or T6 IP66	Ex ia IIC T6 IP67	DGMS	CCOE
		✓	✓	✓	✓	✓
		✓	✓	✓		
	✓		*			
			✓	✓		
			✓	✓		
			*	*		

Contact Rotex for any other ambient, fluid temperature, media and application



CONTACT ROTEX BEFORE SELECTING THIS ITEM

Specifications are subject to change without notice.



2/2 DIRECT ACTING, HIGH ORIFICE NORMALLY CLOSED SOLENOID VALVE

SPECIFICATION

SIZE	PORT CONNECTION	PRE-PRESSURE bar	ORIFICE (mm)	FLOW FACTOR kv (LPM OF WATER @ 1 bar ΔP)	VALVE TYPE	PILOT PRESSURE	BODY MATERIAL AND INTERNALS						SEALS					MANUAL OVERRIDE			SOLENOID ENCLOSURE WEATHER PROOF		EXPLOSION PROOF		SUFFIX		POWER VA		CONSTRUCTION REFERENCE NUMBER	
							ALUMINIUM	ALUMINIUM + SS	BRASS	SS 316/ CF8M	NBR	Viton	EPDM	HYTREL	PTFE	NIL	STAYPLUT CUM MOMENTARY	FLYING LEAD	PLUG IN, IP67	SQ. PLUG IN, IP67	TERMINAL BOX IP67	FPJB Ex d IIC, T4 OR T6, IP67	LARGE ENCLOSURE	SOLENOID SIZE	OXYGEN	AMONIA	AC INRUSH	AC HOLDING		DC
2/2 NORMALLY CLOSED																														
1/2"	4G	4R	0	10	12	50	20172					*	*	S2				*			25	T	E	18	✓	✓	30	30	30	15
3/4"	6G	6R	0	10	20	95	20172					*	*	S2				*			25	T	E	18	✓	✓	30	30	30	20
1"	8G	8R	0	10	25	160	20172					*	*	S2				*			25	T	E	18	✓	✓	30	30	30	20
1 1/4"	10G	10R	0	8	40	320	20172					*	*	S2				*			25	T	E	18	✓	✓	30	30	30	30
1 1/2"	12G	12R	0	8	40	350	20172					*	*	S2				*			25	T	E	18	✓	✓	30	30	30	30
2"	16G	16R	0	8	50	560	20172					*	*	S2				*			25	T	E	18	✓	✓	30	30	30	30

Cable Entry	T	E
M20 x 1.5	19	39
1/2" NPT	16	37

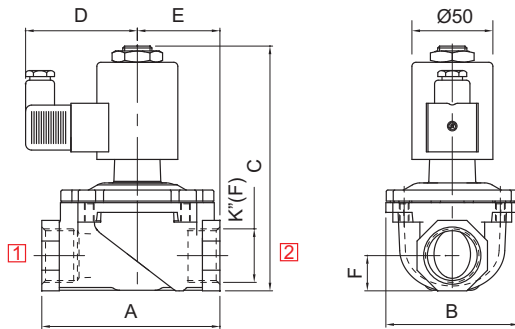
* = Do not specify when opted for
 ✓ = Options available

ORDERING CODE AND EXAMPLE VALVE + SOLENOID

TYPE - SUFFIX - ORIFICE - PORT CONNECTION - BODY AND INTERNALS - SEAL +
 SIZE - VOLTAGE - CURRENT - SOLENOID ENCLOSURE - APPROVAL - INSULATION - SPECIAL VERSION
 e.g. 20172-25-8G+220V 50Hz-25; 20172-12-4G-S2+24V DC-19

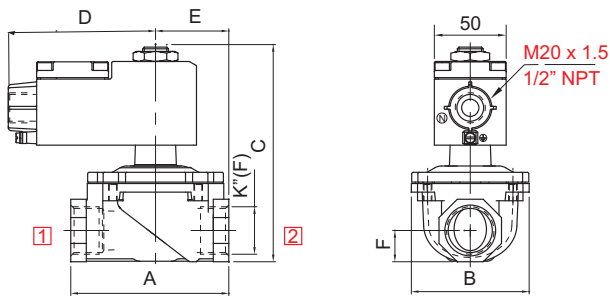
DIMENSIONS

All Dimensions are in mm



SQUARE PLUG IN SOLENOID TYPE 25

NW	K (PORT SIZE)	A	B	C	D	E	F	CONST. REF.
VALVE TYPE : 24101, 24102, 24103								
12	1/2", 3/8", 1/4"	65	50	124	66	29	15	29
20	3/4"	84	64	134	66	42	17	30
25	1"	110	93	148	66	51	25	31
32	1 1/4"	135	94	168	68	65	30	32A
40	1 1/2"	135	94	168	68	68	30	32A
50	2"	165	140	186	66	75	38	32



TERMINAL BOX/ Ex d LARGE ENCLOSURE, TYPE 16, 19, 37, 39, LC

NW	K (PORT SIZE)	A	B	C	D	E	F	CONST. REF.
VALVE TYPE : 24101, 24102, 24103								
12	1/2", 3/8", 1/4"	65	50	124	103	29	15	29
20	3/4"	84	64	134	103	42	17	30
25	1"	110	82	152	103	51	22	31
32	1 1/4"	135	94	168	103	65	30	
40	1 1/2"	135	94	168	103	65	30	
50	2"	165	140	188	103	75	38	32

CONTACT ROTEX BEFORE SELECTING THIS ITEM

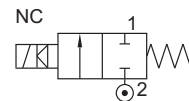
! Plug in Coil type 25 can be supplied only for 'DC' Voltages.

2/2 DIAPHRAGM OPERATED, NORMALLY CLOSED GENERAL PURPOSE SOLENOID VALVE

TYPE	PRESSURE

TYPE	PRESSURE

TYPE	PRESSURE
209	0.5 - 10 bar



FEATURES

- Bubble tight shut off
- Vibration resistance up to 6g
- Speed up to 100 cycles/ min.
- Life >2 million cycles

WETTED PARTS

Code	※	B2	B12
Body	Powder Coated Die Cast Aluminium	Brass	CF8M
Diaphragm	Hytrel, Viton, NBR, EPDM		
Guide Assembly	Brass		
Shadow-Ring	Copper		
Plunger, Insert	SS 430		
Spring	SS 302		
Seat, Seals	NBR, Viton, EPDM		
Fasteners	SS 304		

AMBIENT AND FLUID TEMPERATURE

5 ° C to 80 °C

SPECIAL VERSION AND SUFFIX

Suffix : (Valve) OX, WO

MEDIA

Air, Inert gases, Water, Free flowing liquid, Oil, Diesel, Kerosene, LPG, CNG

APPLICATION

General Purpose

PORT CONNECTION

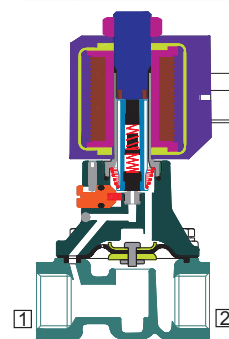
ACTION	INLET	OUTLET
NC	2	1

Contact Rotex for
• Any other ambient, fluid temperature, media and application

Recommended for indoor application.

CONTACT ROTEX BEFORE SELECTING THIS ITEM

B



SPARES (Refer page 25 for ordering code)

SPARE KIT	CODE
Diaphragm Kit : Diaphragm Set	100
Seal Kit : Oring Set Diaphragm, Plunger Assembly	98
Repair Kit : Oring Set, Diaphragm, Plunger Assembly, Fastener, Springs	99
Solenoid Kit : Solenoid, Gasket and Nut	34

APPROVAL (* applied for)

Approval	Nema 4X	IP67	Ex d IIC T4 or T5 or T6 IP66	Ex ia IIC T6 IP67	DGMS	CCOE
		✓				
		✓				

6



2/2 DIAPHRAGM OPERATED, NORMALLY CLOSED GENERAL PURPOSE SOLENOID VALVE

SPECIFICATION

PORT CONNECTION			PRE-SURE bar		ORIFICE (mm)	FLOW FACTOR kv (LPM OF WATER @ 1 bar ΔP)	VALVE TYPE	PILOT PRESSURE	BODY MATERIAL AND INTERNALS					SEALS					MANUAL OVERRIDE		SOLENOID ENCLOSURE			SUFFIX		POWER VA		CONSTRUCTION REFERENCE NUMBER		
SIZE	BSP(F)	NPT(F)	MINIMUM	MAXIMUM					ALUMINIUM	ALUMINIUM + SS	BRASS	SS 316/CF8M	NBR	Viton	EPDM	HYTREL	PTFE	NIL	STAYPUT CUM MOMENTARY	FLYING LEAD	PLUG IN, IP67	SQ. PLUG IN, IP67	TERMINAL BOX IP67	FPJB	Ex d IIC, T4 OR T6, IP67	LARGE ENCLOSURE	SOLENOID SIZE		OXYGEN	AMONIA
2/2 NORMALLY CLOSED																														
1/4"	2G	2R	0.5	10	10	30	209F			× B5	S2	×	×											8	×		12	6	5	45
3/8"	3G	3R	0.5	10	10	30	209G			× B5	S2	×	×											8	×		12	6	5	46
1/2"	4G	4R	0.5	10	12	60	209H			× B12	S2	×	×											8	×		12	6	5	47
3/4"	6G	6R	0.5	10	20	110	209I			× B12	S2	×	×											8	×		6	12	5	48
1"	8G	8R	0.5	10	25	185	209J			B12	S2	×	×											8	×		6	12	5	40
1 1/4"	10G	10R	0.5	10	40	400	209K			B12	S2	×	×											8	×		6	12	5	50
1 1/2"	12G	12R	0.5	10	40	440	209L			B12	S2	×	×											8	×		6	12	5	51
2"	16G	16R	0.5	10	50	650	209M			B12	S2	×	×											8	×		6	12	5	52

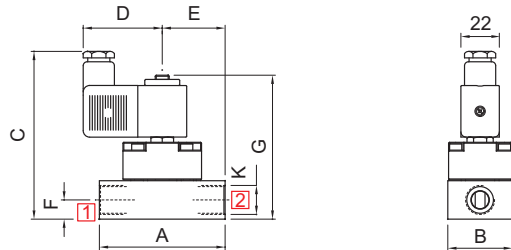
× = Do not specify when opted for
 ✓ = Options available

ORDERING CODE AND EXAMPLE VALVE + SOLENOID

TYPE – SUFFIX – ORIFICE – PORT CONNECTION – BODY AND INTERNALS – SEAL +
 SIZE – VOLTAGE – CURRENT – SOLENOID ENCLOSURE – APPROVAL – INSULATION – SPECIAL VERSION
 E.g. 209F+24V DC-22; 209K-B12-S2+220V 50Hz-22

DIMENSIONS

All Dimensions are in mm



PLUG IN SOLENOID TYPE 22

NW	K (PORT SIZE)	A	B	C	D	E	F	G	CONST. REF.
VALVE TYPE : 209F, 209G									
10	1/4"	72	37	96	45	36	11	82	45
10	3/8"	72	37	96	45	36	11	82	46

PLUG IN SOLENOID TYPE 22

NW	K (PORT SIZE)	A	B	C	D	E	F	CONST. REF.
VALVE TYPE : 209H, 209I								
12	1/2"	65	50	111	48	29	15	47
20	3/4"	84	64	118	48	42	17	48

PLUG IN SOLENOID TYPE 22

NW	K (PORT SIZE)	A	B	C	D	E	F	CONST. REF.
VALVE TYPE : 209J, 209K, 209L, 209M								
25	1"	110	82	132	48	76	22	49
40	1 1/4"	135	94	147	48	95	30	50
40	1 1/2"	135	94	147	48	95	30	51
50	2"	165	140	166	48	128	38	52

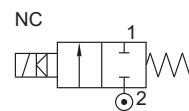


2/2 DIAPHRAGM OPERATED "L" PORT SOLENOID VALVE

TYPE	PRESSURE

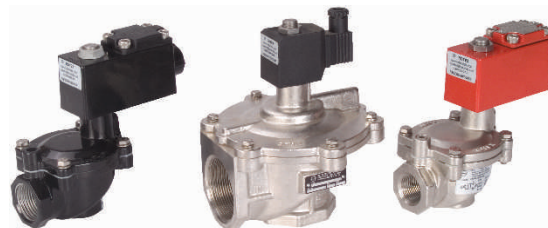
TYPE	PRESSURE

TYPE	PRESSURE
24100	0.5 - 10 bar
24115	0.2 - 4 bar



FEATURES

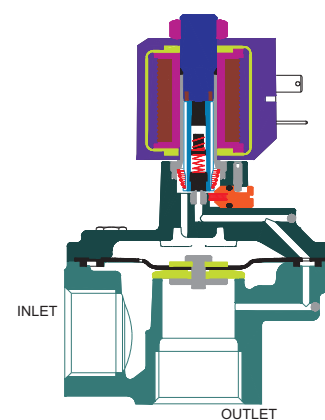
- Bubble tight shut off
- Vibration resistance up to 9g
- Suitable for high speed cycling
- Speed up to 100 cycles/ min.
- Life >2 million cycles
- Manual override can be provided optionally



WETTED PARTS

Code	※	B12
Body	Powder Coated Die Cast Aluminium	CF8M
Diaphragm	Hytral, Viton, NBR, EPDM	
Guide Assembly	SS 304	
Shadow-Ring	Copper/ Silver/ None	
Plunger, Insert	SS 430	
Spring	SS 302	
Seat, Seals	NBR, Viton, EPDM	
Fasteners	SS 304	

B



AMBIENT AND FLUID TEMPERATURE

5 ° C to 80 °C

SPECIAL VERSION AND SUFFIX

Suffix : (Valve) OX, AM, WO
Special version : (Solenoid) CO, FR, SS, III

MEDIA

Air, Inert Gases, Water, Free Flowing Liquid, Oil, Diesel, Kerosene, LPG

APPLICATION

Ideally suited for installing in a pipe line avoiding bend

PORT CONNECTION

ACTION	INLET	OUTLET
NC	2	1
NO	2	1

SPARES

(Refer page 25 for ordering code)

SPARE KIT	CODE
Diaphragm Kit : Diaphragm Set	100
Seal Kit : Ring Set Diaphragm, Plunger Assembly	98
Repair Kit : Ring Set, Diaphragm, Plunger Assembly, Fastener, Springs	99
Solenoid Kit : Solenoid, Gasket and Nut	34

APPROVAL

(★ applied for)

Approval	Nema 4X	IP67	Ex d IIC T4 or T5 or T6 IP66	Ex ia IIC T6 IP67	DGMS	CCOE
		✓	✓	✓	✓	✓
CE		✓	✓	✓		
UL	✓		*			
			✓	✓		
			✓	✓		
			*	*		

Contact Rotex for any other ambient, fluid temperature, media and application



Valve type 24100 and 24115 cannot be used for Dust, bag Filter, Pulse Jet Valve application. For more details of Pulse Jet Valve refer to [pages 341 to 377](#)

CONTACT ROTEX BEFORE SELECTING THIS ITEM

Specifications are subject to change without notice.



2/2 DIAPHRAGM OPERATED "L" PORT SOLENOID VALVE

SPECIFICATION

SIZE	PORT CONNECTION		PRE-SURE bar		ORIFICE (mm)	FLOW FACTOR kv (LPM OF WATER @ 1 bar ΔP)	VALVE TYPE	PILOT PRESSURE	BODY MATERIAL AND INTERNALS					SEALS					MANUAL OVERRIDE		SOLENOID ENCLOSURE				SUFFIX		POWER VA		CONSTRUCTION REFERENCE NUMBER
	BSP(F)	NPT(F)	MINIMUM	MAXIMUM					ALUMINIUM	ALUMINIUM + SS	BRASS	SS 316/CF8M	NBR	Viton	EPDM	HYTREL	PTFE	NIL	STAYPUT CUM MOMENTARY	WEATHER PROOF	EXPLOSION PROOF	OXYGEN	AMMONIA	AC INRUSH	AC HOLDING	DC			

2/2 NORMALLY CLOSED

1"	8G	8R	0.1	4	25	185	24115		×		B12	×	S2		×	M6	M8	F	22	25	T	E	III	14	✓	✓	18	12	8	53
			0.5	10	25	185	24100		×		B12		S2		×	×	M6	M8	F	22	25	T	E	III	14	✓	✓	18	12	8
1 1/4"	10G	10R	0.1	4	40	400	24115				B12	×	S2		×	M6	M8	F	22	25	T	E	III	14	✓	✓	18	12	8	55
			0.5	10	40	400	24100				B12		S2		×	×	M6	M8	F	22	25	T	E	III	14	✓	✓	18	12	8
1 1/2"	12G	12R	0.1	4	40	440	24115		×		B12	×	S2		×	M6	M8	F	22	25	T	E	III	14	✓	✓	18	12	8	55
			0.5	10	40	440	24100		×		B12		S2		×	×	M6	M8	F	22	25	T	E	III	14	✓	✓	18	12	8
2"	16G	16R	0.1	4	50	650	24115		×		B12	×	S2		×	M6	M8	F	22	25	T	E	III	14	✓	✓	18	12	8	55
			0.5	10	50	650	24100		×		B12		S2		×	×	M6	M8	F	22	25	T	E	III	14	✓	✓	18	12	8

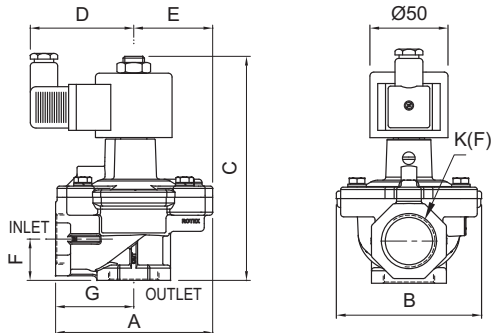
Cable Entry	T	E		F	×	Do not specify when opted for
M20 x 1.5	19	39	Flying lead IP54	×	✓	Options available
1/2" NPT	16	37	Flying lead IP67	01		

ORDERING CODE AND EXAMPLE VALVE + SOLENOID

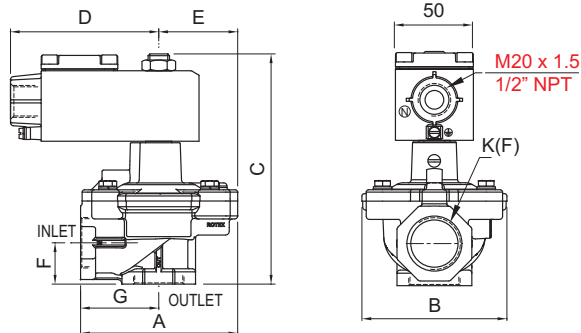
TYPE - SUFFIX - ORIFICE - PORT CONNECTION - BODY AND INTERNALS - MANUAL OVERRIDE - SEAL + SIZE - VOLTAGE - CURRENT - SOLENOID ENCLOSURE - APPROVAL - INSULATION - SPECIAL VERSION
 e.g. 24100-25-8G+120V 50Hz-22; 24100-40-12R-B12-S2+220V 50Hz-25

DIMENSIONS

All Dimensions are in mm



MANUAL OVERRIDE OPTIONALLY PROVIDED



MANUAL OVERRIDE OPTIONALLY PROVIDED

PLUG IN SOLENOID TYPE 22/ 25

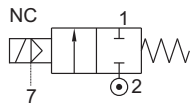
NW	K (PORT SIZE)	A	B	C	D	E	F	G	CONST. REF.
VALVE TYPE : 24100, 24115									
25	3/4"	103	93	149	68	52	27	51	53
25	1"	103	93	149	68	52	27	51	53
50	1 1/4", 1 1/2"	160	170	185	68	76	38	84	55
50	2"	160	170	185	68	76	38	84	55

TERMINAL BOX/ EX d/ LARGE ENCLOSURE, TYPE 16, 19, 37, 39

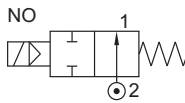
NW	K (PORT SIZE)	A	B	C	D	E	F	G	CONST. REF.
VALVE TYPE : 24100, 24115									
25	3/4"	103	93	149	97	52	27	51	53
25	1"	103	93	149	97	52	27	51	53
50	1 1/4", 1 1/2"	160	170	185	97	76	38	84	55
50	2"	160	170	185	97	76	38	84	55

2/2 POPPET TYPE, INTERNAL/ EXTERNAL PILOT, NC/ NO SOLENOID VALVE

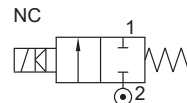
TYPE	PRESSURE
22101	0 - 20 bar



TYPE	PRESSURE
21201	0.5 - 10 bar
21202	1 - 20 bar
21203	2 - 40 bar



TYPE	PRESSURE
21101	0.5 - 10 bar
21102	1 - 20 bar
21103	2 - 40 bar



FEATURES

- Bubble tight shut off
- Vibration resistance up to 9g
- Suitable for high speed cycling
- Speed up to 400 cycles/ min
- Life >10 million cycles

WETTED PARTS

Code	※	B2	B12
Body	Aluminium Cast/ CF8M	Brass	CF8M
Internals	Aluminium and Brass	Brass	SS 316
Guide Assembly	SS 304		
Shadow-Ring	Copper/ Silver/ None		
Plunger, Insert	SS 430		
Spring	SS 302		
Seat, Seals	NBR, Viton, EPDM		
Fasteners	SS 304		

AMBIENT AND FLUID TEMPERATURE

-20 °C to 80 °C

SPECIAL VERSION AND SUFFIX

Suffix : (Valve) AM, LC, WO
Special version : (Solenoid) CO, FR, SS, LC, III, TM

MEDIA

Air, Inert Gases, Water, Free Flowing
Liquid, Oil, Diesel, Kerosene, LPG

APPLICATION

High ON/ OFF Cycles

PORT CONNECTION

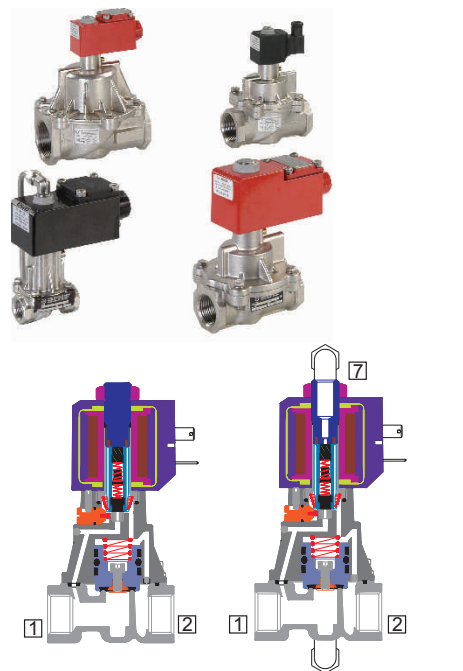
ACTION	INLET	OUTLET	EXTERNAL PILOT INLET
NC	2	1	7
NO	2	1	

Contact Rotex for

- Any other ambient, fluid temperature, media and application
- UL listed, Listed general purpose Valve
- PED approved valve



For Valve type 22101 External pilot pressure should be minimum 2 bar or ≥ Main pressure whichever is higher.



SPARES

(Refer page 25 for ordering code)

SPARE KIT	CODE
Seal Kit : Oring Set and Plunger Assembly	98
Repair Kit : Oring Set, Plunger Assembly, Springs, Manual Override, Piston	99
Solenoid Kit : Solenoid, Gasket and Nut	34

APPROVAL

(* applied for)

Approval	Nema 4X	IP67	Ex d IIC T4 or T5 or T6 IP66	Ex ia IIC T6 IP67	DGMS	CCOE
		✓	✓	✓	✓	✓
		✓	✓	✓		
	✓		*			
			✓	✓		
			✓	✓		
			*	*		



2/2 POPPET TYPE, INTERNAL/ EXTERNAL PILOT, NC/ NO SOLENOID VALVE

SPECIFICATION

PORT CONNECTION			PRE-SURE bar		ORIFICE (mm)	FLOW FACTOR kv (LPM OF WATER @ 1 bar ΔP)	VALVE TYPE	PILOT PRESSURE	BODY MATERIAL AND INTERNALS		SEALS					MANUAL OVERRIDE			SOLENOID ENCLOSURE				SUFFIX		POWER VA		CONSTRUCTION REFERENCE NUMBER
SIZE	BSP(F)	NPT(F)	MINIMUM	MAXIMUM					ALUMINIUM	BRASS SS 316/ CF8M	NBR	Viton	EPDM	HYTREL	PTFE	NIL	STAYPUT CUM MOMENTARY	MOMENTARY	FLYING LEAD	PLUG IN, IP67	SQ. PLUG IN, IP67	TERMINAL BOX IP67	Exp II, C, T4 OR T6, IP67	LARGE ENCLOSURE	SOLENOID SIZE	OXYGEN	

2/2 NORMALLY CLOSED

1/2"	4G	4R	0.7	10	12	60	21101		*	B2	B12	*	S2	S1		M0	*	M8	F	22	25	T	E	III	14	✓	✓	18	12	8	57
			1	20	12	60	21102		*	B2	B12	*	S2	S1		M0	*	M8	F	22	25	T	E	III	14	✓	✓	18	12	8	57
			0	20	12	60	22101	2-20	*	B2	B12	*	S2	S1		M0	*	M8	F	22	25	T	E	III	14	✓	✓	18	12	8	57
			2	40	12	60	21103		*	B2	B12	*	S2	S1		*	M12	M5	F	25	T	E	18	✓	✓	13	13	13	57		
3/4"	6G	6R	0.7	10	20	110	21101		*	B2	B12	*	S2	S1		M0	*	M8	F	22	25	T	E	III	14	✓	✓	18	12	8	58
			1	20	20	110	21102		*	B2	B12	*	S2	S1		M0	*	M8	F	22	25	T	E	III	14	✓	✓	18	12	8	58
			0	20	20	110	22101	2-20	*	B2	B12	*	S2	S1		M0	*	M8	F	22	25	T	E	III	14	✓	✓	18	12	8	58
			2	40	20	110	21103		*	B2	B12	*	S2	S1		*	M12	M5	F	25	T	E	18	✓	✓	13	13	13	58		
1"	8G	8R	0.7	10	25	185	21101V1		*	B2	B12	*	S2	S1		M0	*	M8	F	22	25	T	E	III	14	✓	✓	18	12	8	59
			1	20	25	185	21102V1		*	B2	B12	*	S2	S1		M0	*	M8	F	22	25	T	E	III	14	✓	✓	18	12	8	59
			0	20	25	185	22101V1	2-20	*	B2	B12	*	S2	S1		M0	*	M8	F	22	25	T	E	III	14	✓	✓	18	12	8	59
			2	40	25	185	21103V1		*	B2	B12	*	S2	S1		*	M12	M5	F	25	T	E	18	✓	✓	13	13	13	59		
1 1/4"	10G	10R	0.7	10	40	400	21101		*	B2	B12	*	S2	S1		M0	*	M8	F	22	25	T	E	III	14	✓	✓	18	12	8	60
			1	20	40	400	21102		*	B2	B12	*	S2	S1		M0	*	M8	F	22	25	T	E	III	14	✓	✓	18	12	8	60
			0	20	40	400	22101	2-20	*	B2	B12	*	S2	S1		M0	*	M8	F	22	25	T	E	III	14	✓	✓	18	12	8	60
			2	40	40	400	21103		*	B2	B12	*	S2	S1		*	M12	M5	F	25	T	E	18	✓	✓	13	13	13	60		
1 1/2"	12G	12R	0.7	10	40	440	21101		*	B2	B12	*	S2	S1		M0	*	M8	F	22	25	T	E	III	14	✓	✓	18	12	8	61
			1	20	40	440	21102		*	B2	B12	*	S2	S1		M0	*	M8	F	22	25	T	E	III	14	✓	✓	18	12	8	61
			0	20	40	440	22101	2-20	*	B2	B12	*	S2	S1		M0	*	M8	F	22	25	T	E	III	14	✓	✓	18	12	8	61
			2	40	40	440	21103		*	B2	B12	*	S2	S1		*	M12	M5	F	25	T	E	18	✓	✓	13	13	13	61		
2"	16G	16R	0.7	10	50	650	21101V1		*	B2	B12	*	S2	S1		M0	*	M8	F	22	25	T	E	III	14	✓	✓	18	12	8	62
			1	20	50	650	21102V1		*	B2	B12	*	S2	S1		M0	*	M8	F	22	25	T	E	III	14	✓	✓	18	12	8	62
			0	20	50	650	22101V1	2-20	*	B2	B12	*	S2	S1		M0	*	M8	F	22	25	T	E	III	14	✓	✓	18	12	8	62
			2	40	50	650	21103V1		*	B2	B12	*	S2	S1	S8	*	M12	M5	F	25	T	E	18	✓	✓	13	13	13	62		

2/2 NORMALLY OPEN

1/2"	4G	4R	0.7	10	2	60	21201		*	B2	B12	*	S2	S1		M0	*	M8	F	22	25	T	E	III	14	✓	✓	18	12	8	63
			1	20	12	60	21202		*	B2	B12	*	S2	S1		M0	*	M8	F	22	25	T	E	III	14	✓	✓	18	12	8	63
			2	40	12	60	21203		*	B2	B12	*	S2	S1		*	M12	M5	F	25	T	E	18	✓	✓	13	13	13	63		
3/4"	6G	6R	0.7	10	20	110	21201		*	B2	B12	*	S2	S1		M0	*	M8	F	22	25	T	E	III	14	✓	✓	18	18	8	64
			1	20	20	110	21202		*	B2	B12	*	S2	S1		M0	*	M8	F	22	25	T	E	III	14	✓	✓	18	18	8	64
			2	40	20	110	21203		*	B2	B12	*	S2	S1		*	M12	M5	F	25	T	E	18	✓	✓	13	13	13	64		
1"	8G	8R	0.7	10	25	185	21201V1		*	B2	B12	*	S2	S1		M0	*	M8	F	22	25	T	E	III	14	✓	✓	18	18	8	65
			1	20	25	185	21202V1		*	B2	B12	*	S2	S1		M0	*	M8	F	22	25	T	E	III	14	✓	✓	18	12	8	65
			2	40	25	185	21203V1		*	B2	B12	*	S2	S1		*	M12	M5	F	25	T	E	18	✓	✓	13	13	13	65		
1 1/4"	10G	10R	0.7	10	40	400	21201		*	B2	B12	*	S2	S1		M0	*	M8	F	22	25	T	E	III	14	✓	✓	18	18	8	66
			1	20	40	400	21202		*	B2	B12	*	S2	S1		M0	*	M8	F	22	25	T	E	III	14	✓	✓	18	18	8	66
			2	40	40	400	21203		*	B2	B12	*	S2	S1		*	M12	M5	F	25	T	E	18	✓	✓	13	13	13	66		
1 1/2"	12G	12R	0.7	10	40	440	21201		*	B2	B12	*	S2	S1		M0	*	M8	F	22	25	T	E	III	14	✓	✓	18	12	8	67
			1	20	40	440	21202		*	B2	B12	*	S2	S1		M0	*	M8	F	22	25	T	E	III	14	✓	✓	18	12	8	67
			2	40	40	440	21203		*	B2	B12	*	S2	S1		*	M12	M5	F	25	T	E	18	✓	✓	13	13	13	67		
2"	16G	16R	0.7	10	50	650	21201V1		*	B2	B12	*	S2	S1		M0	*	M8	F	22	25	T	E	III	14	✓	✓	18	12	8	68
			1	20	50	650	21202V1		*	B2	B12	*	S2	S1		M0	*	M8	F	22	25	T	E	III	14	✓	✓	18	12	8	68
			2	40	50	650	21203V1		*	B2	B12	*	S2	S1	S8	*	M12	M5	F	25	T	E	18	✓	✓	13	13	13	68		

Cable Entry	T	E
M20 x 1.5	19	39
1/2" NPT	16	37

F
Flying lead IP54
Flying lead IP67

* = Do not specify when opted for
✓ = Options available

* Valve type printed in red colour is external pilot air/ air operated valve

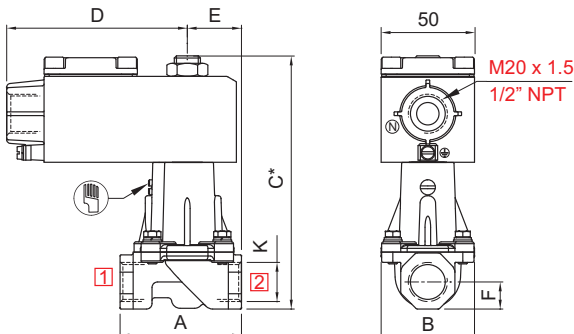
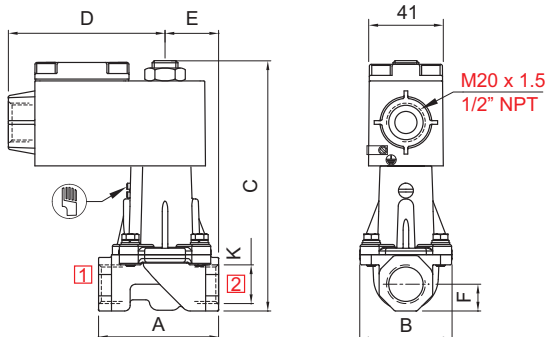
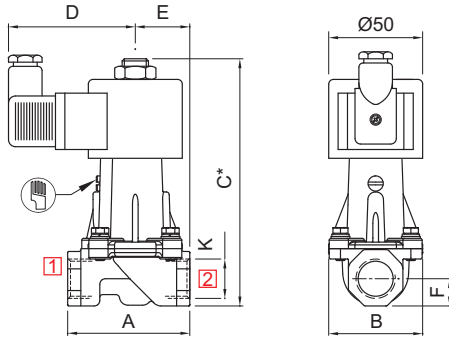
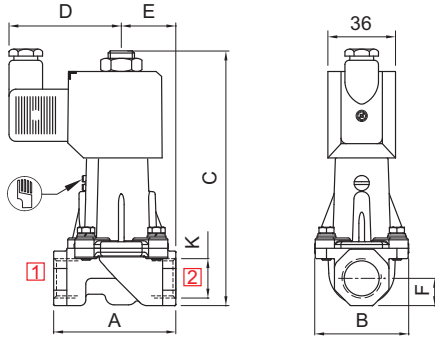
2/2 POPPET TYPE, INTERNAL/ EXTERNAL PILOT, NC/ NO SOLENOID VALVE

ORDERING CODE VALVE + SOLENOID

TYPE - SUFFIX - ORIFICE - PORT CONNECTION - BODY AND INTERNALS - MANUAL OVERRIDE - SEAL +
SIZE - VOLTAGE - CURRENT - SOLENOID ENCLOSURE - APPROVAL - INSULATION - SPECIAL VERSION
e.g. 21101-12-4G+12V DC-22; 21101-20-6R-B2+110V-50Hz 16-III

DIMENSIONS

All Dimensions are in mm



PLUG IN SOLENOID TYPE 22

NW	K (PORT SIZE)	A	B	C	D	E	F	CONST. REF.
VALVE TYPE : 21101, 21102, 22101								
12	1/2", 3/8", 1/4"	65	50	136	60	29	15	57
20	1/2"	84	64	149	60	42	17	58
20	3/4"	84	64	149	60	42	17	58
25	1"	110	95	167	60	51	25	59
40	1 1/4"	135	94	188	60	66	30	60
40	1 1/2"	135	94	188	60	66	30	61
50	2"	165	170	224	60	76	38	62

SQUARE PLUG IN SOLENOID TYPE 25

NW	K (PORT SIZE)	A	B	C*	D	E	F	CONST. REF.
VALVE TYPE : 21101, 21102, 21103*, 22101								
12	1/2", 3/8", 1/4"	65	50	136	68	29	15	57
20	1/2"	84	64	149	68	42	17	58
20	3/4"	84	64	149	68	42	17	58
25	1"	110	95	167	68	51	25	59
40	1 1/4"	135	94	188	68	66	30	60
40	1 1/2"	135	94	188	68	66	30	61
50	2"	165	170	224	68	76	38	62

*C = C + 20 FOR VALVE TYPE 21103

TERMINAL BOX/ Ex d ENCLOSURE, TYPE 16, 19, 37, 39

NW	K (PORT SIZE)	A	B	C	D	E	F	CONST. REF.
VALVE TYPE : 21101, 21102, 22101								
12	1/2", 3/8", 1/4"	65	50	136	85	29	15	57
20	1/2"	84	64	149	85	42	17	58
20	3/4"	84	64	149	85	42	17	58
25	1"	110	95	167	85	51	25	59
40	1 1/4"	135	94	188	85	66	30	60
40	1 1/2"	135	94	188	85	66	30	61
50	2"	165	170	224	85	76	38	62

TERMINAL BOX/ Ex d LARGE ENCLOSURE, TYPE 16, 19, 37, 39, LC

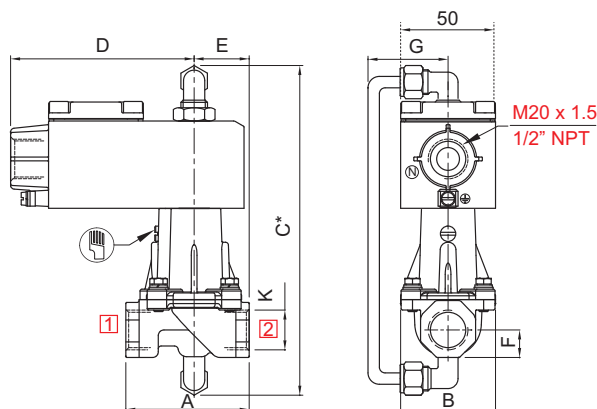
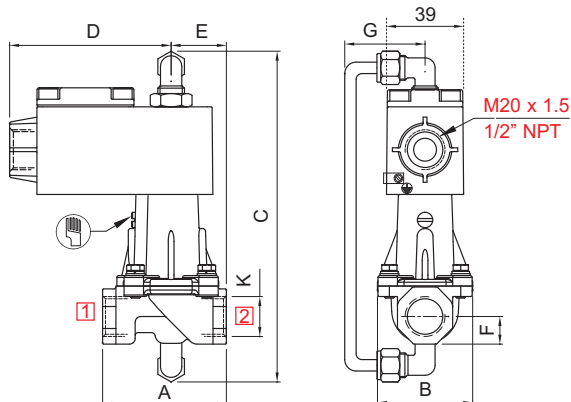
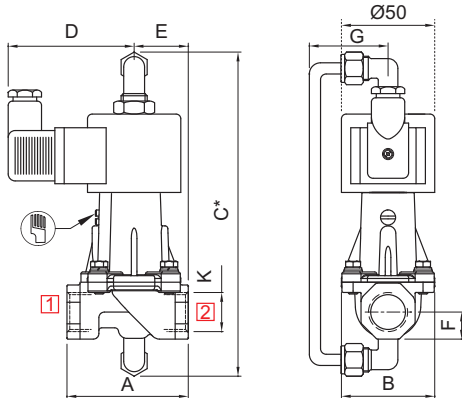
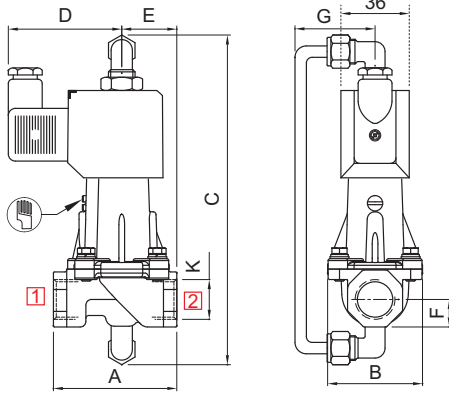
NW	K (PORT SIZE)	A	B	C*	D	E	F	CONST. REF.
VALVE TYPE : 21101, 21102, 21103*, 21202								
12	1/2", 3/8", 1/4"	65	50	136	97	29	15	57
20	1/2"	84	64	149	97	42	17	58
20	3/4"	84	64	149	97	42	17	58
25	1"	110	95	167	97	51	25	59
40	1 1/4"	135	94	188	97	66	30	60
40	1 1/2"	135	94	188	97	66	30	61
50	2"	165	170	224	97	76	38	62

*C = C + 20 FOR VALVE TYPE 21103

2/2 POPPET TYPE, INTERNAL/ EXTERNAL PILOT, NC/ NO SOLENOID VALVE

DIMENSIONS

All Dimensions are in mm



PLUG IN SOLENOID TYPE 22

NW	K (PORT SIZE)	A	B	C	D	E	F	G	CONST. REF.
VALVE TYPE : 21201, 21202, 21203*									
12	1/2", 3/8", 1/4"	65	50	176	60	29	15	42	63
20	1/2"	84	64	189	60	42	17	48	64
20	3/4"	84	64	189	60	42	17	48	64
25	1"	110	95	207	60	51	25	61	65
40	1 1/4"	135	94	188	60	66	30	61	66
40	1 1/2"	135	94	188	60	66	30	61	67
50	2"	165	170	264	60	76	38	101	68

SQUARE PLUG IN SOLENOID TYPE 25

NW	K (PORT SIZE)	A	B	C*	D	E	F	G	CONST. REF.
VALVE TYPE : 21201									
12	1/2", 3/8", 1/4"	65	50	176	68	29	15	42	63
20	1/2"	84	64	189	68	42	17	48	64
20	3/4"	84	64	189	68	42	17	48	64
25	1"	110	95	207	68	51	25	61	65
40	1 1/4"	135	94	188	68	66	30	61	66
40	1 1/2"	135	94	188	68	66	30	61	67
50	2"	165	170	264	68	76	38	101	68

*C = C + 20 FOR VALVE TYPE 21203

TERMINAL BOX/ Ex d ENCLOSURE, TYPE 16, 19, 37, 39

NW	K (PORT SIZE)	A	B	C	D	E	F	G	CONST. REF.
VALVE TYPE : 21201, 21202									
12	1/2", 3/8", 1/4"	65	50	176	85	29	15	42	63
20	1/2"	84	64	189	85	42	17	48	64
20	3/4"	84	64	189	85	42	17	48	64
25	1"	110	95	207	85	51	25	61	65
40	1 1/4"	135	94	188	85	66	30	61	66
40	1 1/2"	135	94	188	85	66	30	61	67
50	2"	165	170	264	85	76	38	101	68

TERMINAL BOX/ Ex d LARGE ENCLOSURE, TYPE 16, 19, 37, 39, LC

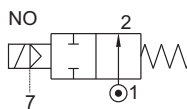
NW	K (PORT SIZE)	A	B	C*	D	E	F	G	CONST. REF.
VALVE TYPE : 21201, 21202, 21203*									
12	1/2", 3/8", 1/4"	65	50	176	97	29	15	42	63
20	1/2"	84	64	189	97	42	17	48	64
20	3/4"	84	64	189	97	42	17	48	64
25	1"	110	95	207	97	51	25	61	65
40	1 1/4"	135	94	188	97	66	30	61	66
40	1 1/2"	135	94	188	97	66	30	61	67
50	2"	165	170	264	97	76	38	101	68

*C = C + 20 FOR VALVE TYPE 21203

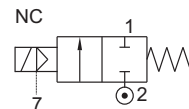
2/2 ISOLATED PISTON, EXTERNAL AIR OPERATED, NC/ NO SOLENOID VALVE

TYPE	PRESSURE

TYPE	PRESSURE
23203	0 - 20 bar



TYPE	PRESSURE
23103	0 - 20 bar



FEATURES

- Bubble tight shut off
- Vibration resistance up to 9g
- Suitable for high speed cycling
- Speed up to 400 cycles/ min
- Life >10 million cycles

WETTED PARTS

Code	※	B2	B12
Body	Powder Coated Die Cast Aluminium	Brass	CF8M
Internals	Aluminium and Brass	Brass SS 316	SS 316
Guide Assembly	SS 304		
Shadow-Ring	Copper/ Silver/ None		
Plunger, Insert	SS 430		
Spring	SS 302		
Seat, Seals	NBR, Viton, EPDM		
Fasteners	SS 304		

AMBIENT AND FLUID TEMPERATURE

-20 °C to 80 °C

SPECIAL VERSION AND SUFFIX

Suffix : (Valve) OX, AM, WO
Special version : (Solenoid) CO, FR, SS, LC, III, TM

MEDIA

Air, Inert Gases, Water, Vacuum, Free Flowing Liquid, Oil, Diesel, Kerosene, LPG, Furnace Oil

APPLICATION

Fuel line shut off, Vacuum Breaking

PORT CONNECTION

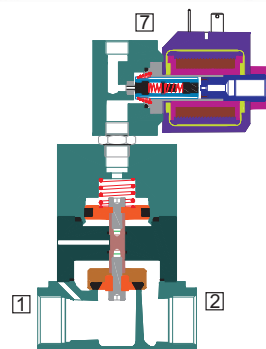
ACTION	INLET	OUTLET	EXTERNAL PILOT
NC	2	1	7
NO	1	2	7

Contact Rotex for

- Any other ambient, fluid temperature, media and application
- UL listed, Listed general purpose Valve



External Pilot pressure should be minimum 2 bar or ≥ main fluid pressure whichever is higher.



SPARES (Refer page 25 for ordering code)

SPARE KIT	CODE
Seal Kit : Oring Set and Plunger Assembly	98
Repair Kit : Oring Set, Plunger Assembly, Springs, Manual Override	99
Solenoid Kit : Solenoid, Gasket and Nut	34

APPROVAL (* applied for)

Approval	Nema 4X	IP67	Ex d IIC T4 or T5 or T6 IP66	Ex ia IIC T6 IP67	DGMS	CCOE
		✓	✓	✓	✓	✓
CE		✓	✓	✓		
UL	✓		*			
			✓	✓		
			✓	✓		
			*	*		



2/2 ISOLATED PISTON, EXTERNAL AIR OPERATED, NC/ NO SOLENOID VALVE

SPECIFICATION

PORT CONNECTION			PRE-SSURE bar		ORIFICE (mm)	FLOW FACTOR kv (LPM OF WATER @ 1 bar ΔP)	VALVE TYPE	PILOT PRESSURE		BODY MATERIAL AND INTERNALS		SEALS					MANUAL OVERRIDE		SOLENOID ENCLOSURE			SUFFIX		POWER VA		CONSTRUCTION REFERENCE NUMBER
SIZE	BSP(F)	NPT(F)	MINIMUM	MAXIMUM				ALUMINIUM	BRASS	SS 316/ CF-8M	NBR	Viton	EPDM	HYTREL	PTFE	NIL	STAYPUT CUM MOMENTARY	FLYING LEAD	PLUG IN, IP67	SQ. PLUG IN, IP67	TERMINAL BOX IP67	Ex d IIC, T4 OR T6, IP67	LARGE ENCLOSURE	SOLENOID SIZE	OXYGEN	

2/2 NORMALLY CLOSED

1/2"	4G	4R	0	20	12	60	23103	2-20	*			*	S2	S1	M0	*	M8	F	22	25	T	E	III	14	✓	✓	18	12	8	69
3/4"	6G	6R	0	20	20	110	23103	2-20	*			*	S2	S1	M0	*	M8	F	22	25	T	E	III	14	✓	✓	18	12	8	70
1"	8G	8R	0	20	25	185	23103V1	2-20	*			*	S2	S1	M0	*	M8	F	22	25	T	E	III	14	✓	✓	18	12	8	71
1 1/4"	10G	10R	0	20	40	400	23103	2-20	*			*	S2	S1	M0	*	M8	F	22	25	T	E	III	14	✓	✓	18	12	8	72
1 1/2"	12G	12R	0	20	40	440	23103	2-20	*			*	S2	S1	M0	*	M8	F	22	25	T	E	III	14	✓	✓	18	12	8	72
2"	16G	16R	0	20	50	650	23103V1	2-20	*			*	S2	S1	M0	*	M8	F	22	25	T	E	III	14	✓	✓	18	12	8	73

2/2 NORMALLY OPEN

1/2"	4G	4R	0	20	12	60	23203	2-20	*			*	S2	S1	M0	*	M8	F	22	25	T	E	III	14	✓	✓	18	12	8	69
3/4"	6G	6R	0	20	20	110	23203	2-20	*			*	S2	S1	M0	*	M8	F	22	25	T	E	III	14	✓	✓	18	12	8	70
1"	8G	8R	0	20	25	185	23203V1	2-20	*			*	S2	S1	M0	*	M8	F	22	25	T	E	III	14	✓	✓	18	12	8	71
1 1/4"	10G	10R	0	20	40	400	23203	2-20	*			*	S2	S1	M0	*	M8	F	22	25	T	E	III	14	✓	✓	18	12	8	72
1 1/2"	12G	12R	0	20	40	44	23203	2-20	*			*	S2	S1	M0	*	M8	F	22	25	T	E	III	14	✓	✓	18	12	8	73
2"	16R	16G	0	12	50	650	23203V1	2-20	*			*	S2	S1	M0	*	M8	F	22	25	T	E	III	14	✓	✓	18	12	8	73

Cable Entry	T	E	F	* = Do not specify when opted for
M20 x 1.5	19	39	Flying lead IP54	*
1/2" NPT	16	37	Flying lead IP67	01

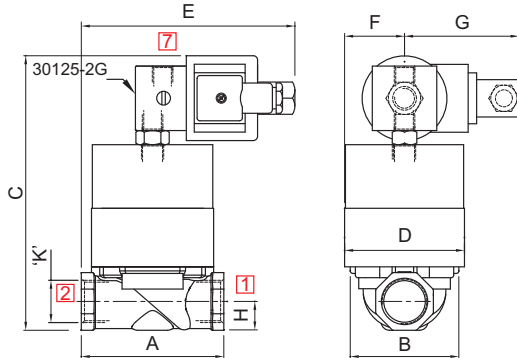
✓ = Options available

ORDERING CODE AND EXAMPLE VALVE + SOLENOID

TYPE - SUFFIX - ORIFICE - PORT CONNECTION - BODY AND INTERNALS - MANUAL OVERRIDE - SEAL + SIZE - VOLTAGE - CURRENT - SOLENOID ENCLOSURE - APPROVAL - INSULATION - SPECIAL VERSION
 e.g. 23103-12-4G+220V 50Hz-22; 23103-20-6R-B2-S2+110V 50Hz-16

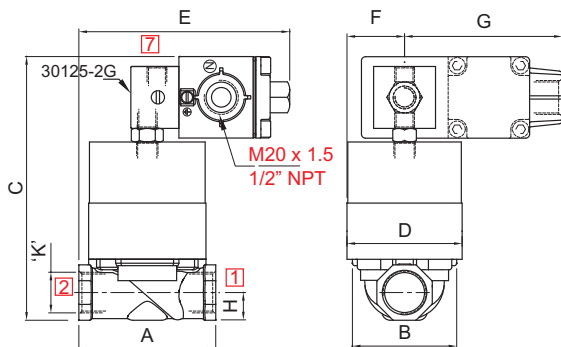
DIMENSIONS

All Dimensions are in mm



PLUG IN SOLENOID TYPE 22/ 25

NW	K (PORT SIZE)	A	B	C	D	E	F	F	G	CONST. REF.
VALVE TYPE : 23103, 23203										
12	1/2"	65	50	142	57	124	29	68	15	69
20	3/4"	84	64	163	63	130	32	68	17	70
25	1"	110	95	185	80	146	40	68	25	71
40	1 1/4", 1 1/2"	135	94	234	100	157	50	68	30	72
50	2"	165	170	163	110	177	55	68	38	73



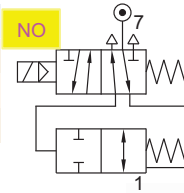
TERMINAL BOX/ Ex d/ LARGE ENCLOSURE, TYPE 16, 19, 37, 39

NW	K (PORT SIZE)	A	B	C	D	E	F	F	G	CONST. REF.
VALVE TYPE : 23103, 23203										
12	1/2"	65	50	142	57	124	29	97	15	69
20	3/4"	84	64	163	63	130	32	97	17	70
25	1"	110	95	185	80	146	40	97	25	71
40	1 1/4", 1 1/2"	135	94	234	100	157	50	97	30	72
50	2"	165	170	163	110	177	55	97	38	73

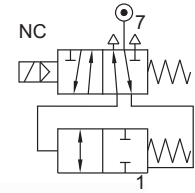
2/2 ISOLATED PISTON, EXTERNAL AIR OPERATED BI-DIRECTIONAL, NC/ NO SOLENOID VALVE

TYPE	PRESSURE

TYPE	PRESSURE
23204	0 - 10 bar



TYPE	PRESSURE
23104	0 - 10 bar

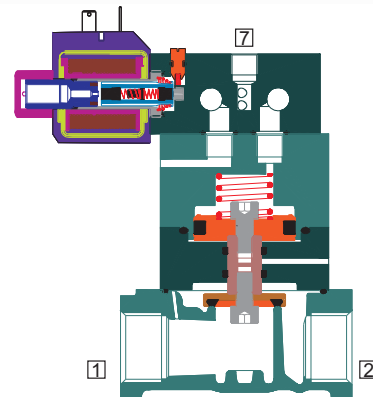


FEATURES

- Bubble tight shut off
- Vibration resistance up to 9g
- Suitable for high speed cycling
- Speed up to 400 cycles/ min
- Life >10 million cycles
- Suitable for vacuum up to 10⁻⁶ torr

WETTED PARTS

Code	※	B2	B12
Body	Aluminium/ Cast CF8M	Brass	SS 316
Internals	Aluminium and Brass	Brass SS 316	SS 316
Guide Assembly	SS 304		
Shadow-Ring	Copper/ Silver/ None		
Plunger, Insert	SS 430		
Spring	SS 302		
Seat, Seals	NBR, Viton, EPDM		
Fasteners	SS 304		



AMBIENT AND FLUID TEMPERATURE

-20 °C to 80 °C

SPECIAL VERSION AND SUFFIX

Suffix : (Valve) OX, AM, WO
Special version : (Solenoid) CO, FR, SS, LC, III, TM

MEDIA

Air, Inert Gases, Water, Vacuum, Free Flowing Liquid, Oil, Diesel, Kerosene, LPG, Furnace Oil

APPLICATION

Ideally suited for application where flow is expected to pass through valve in bi-direction. Vacuum breaking

PORT CONNECTION

ACTION	INLET	OUTLET	PILOT INLET
NC	2 or 1	1or 2	7
NO	2 or 1	1or 2	7

Contact Rotex for

- Any other ambient, fluid temperature, media and application
- UL listed, Listed general purpose Valve



External pilot pressure should be minimum 2 bar or ≥ main fluid pressure which ever is higher.

SPARES

(Refer page 25 for ordering code)

SPARE KIT	CODE
Seal Kit : Oring Set and Plunger Assembly	98
Repair Kit : Oring Set, Plunger Assembly, Springs, Manual Override	99
Solenoid Kit : Solenoid, Gasket and Nut	34

APPROVAL

(★ applied for)

Approval	Nema 4X	IP67	Ex d IIC T4 or T5 or T6 IP66	Ex ia IIC T6 IP67	DGMS	CCOE
		✓	✓	✓	✓	✓
CE		✓	✓	✓		
UL	✓		*			
			✓	✓		
			✓	✓		
			*	*		



2/2 ISOLATED PISTON, EXTERNAL AIR OPERATED BI-DIRECTIONAL, NC/ NO SOLENOID VALVE

SPECIFICATION

PORT CONNECTION			PRE-SURE bar		ORIFICE (mm)	FLOW FACTOR kv (LPM OF WATER @ 1 bar ΔP)	VALVE TYPE	PILOT PRESSURE	BODY MATERIAL AND INTERNALS		SEALS					MANUAL OVERRIDE			SOLENOID ENCLOSURE		SUFFIX		POWER VA		CONSTRUCTION REFERENCE NUMBER			
SIZE	BSP(F)	NPT(F)	MINIMUM	MAXIMUM					ALUMINIUM	BRASS	SS 316/CF8M	NBR	Viton	EPDM	HYTREL	PTFE	NIL	STAYPUT CUM MOMENTARY	MOMENTARY	FLYING LEAD	PLUG IN, IP67	SQ. PLUG IN, IP67	TERMINAL BOX IP67	FPJIB		Ex d IIC, T4 OR T6, IP67	LARGE ENCLOSURE	SOLENOID SIZE

2/2 NORMALLY CLOSED

1/2"	4R	4G	0	12	12	60	23104	2-12	*			*	S2	S1		M0	*	M8	F	22	25	T	E	III	14	✓	✓	18	12	8	74
3/4"	6R	6G	0	12	20	110	23104	2-12	*			*	S2	S1		M0	*	M8	F	22	25	T	E	III	14	✓	✓	18	12	8	75
1"	8R	8G	0	12	25	185	23104V1	2-12	*			*	S2	S1		M0	*	M8	F	22	25	T	E	III	14	✓	✓	18	12	8	76
1 1/4"	10R	10	0	12	40	400	23104	2-12	*			*	S2	S1		M0	*	M8	F	22	25	T	E	III	14	✓	✓	18	12	8	77
1 1/2"	12R	12G	0	12	40	440	23104	2-12	*			*	S2	S1		M0	*	M8	F	22	25	T	E	III	14	✓	✓	18	12	8	77
2"	16R	16G	0	12	50	650	23104V1	2-12	*			*	S2	S1		M0	*	M8	F	22	25	T	E	III	14	✓	✓	18	12	8	78

2/2 NORMALLY OPEN

1/2"	4R	4G	0	12	12	60	23204	2-12	*			*	S2	S1		M0	*	M8	F	22	25	T	E	III	14	✓	✓	18	12	8	74
3/4"	6R	6G	0	12	20	110	23204	2-12	*			*	S2	S1		M0	*	M8	F	22	25	T	E	III	14	✓	✓	18	12	8	75
1"	8R	8G	0	12	25	185	23204V1	2-12	*			*	S2	S1		M0	*	M8	F	22	25	T	E	III	14	✓	✓	18	12	8	76
1 1/4"	10R	10G	0	12	40	400	23204	2-12	*			*	S2	S1		M0	*	M8	F	22	25	T	E	III	14	✓	✓	18	12	8	77
1 1/2"	12R	12G	0	12	40	440	23204	2-12	*			*	S2	S1		M0	*	M8	F	22	25	T	E	III	14	✓	✓	18	12	8	77
2"	16R	16G	0	12	50	650	23204V1	2-12	*			*	S2	S1		M0	*	M8	F	22	25	T	E	III	14	✓	✓	18	12	8	78

Cable Entry	T	E	F
M20 x 1.5	19	39	* Flying lead IP54
1/2" NPT	16	37	* Flying lead IP67

* = Do not specify when opted for
✓ = Options available

* Valve type printed in red colour is external pilot air/ air operated valve

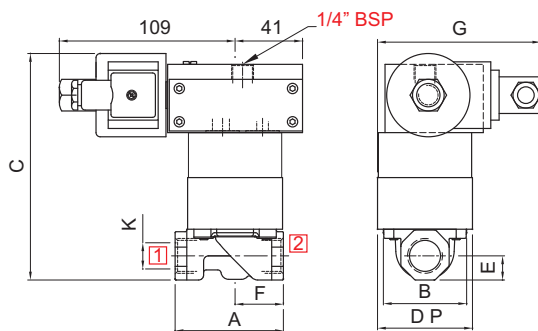
ORDERING CODE AND EXAMPLE VALVE + SOLENOID

TYPE - SUFFIX - ORIFICE - PORT CONNECTION - BODY AND INTERNALS - MANUAL OVERRIDE - SEAL + SIZE - VOLTAGE - CURRENT - SOLENOID ENCLOSURE - APPROVAL - INSULATION - SPECIAL VERSION

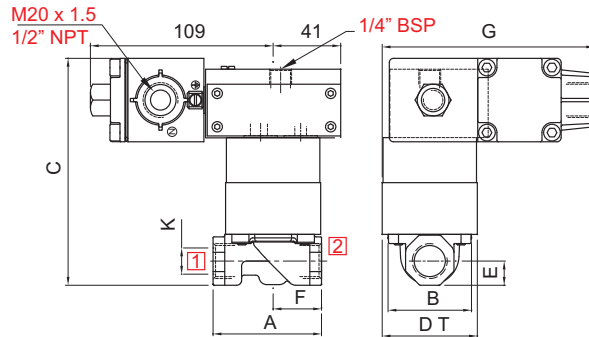
e.g. 23104-25-8G+220V 50Hz-22; 23104-20-6R-B5-S2-M6+12V DC-25

DIMENSIONS

All Dimensions are in mm



PLUG IN SOLENOID TYPE 22/ 25



TERMINAL BOX/ EX d/ LARGE ENCLOSURE, TYPE 16, 19, 37, 39

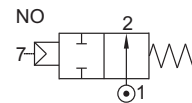
NW	K (PORT SIZE)	A	B	C	D P	E	F	G	CONST. REF.	G
VALVE TYPE : 23104, 23204										
12	1/2"	65	50	136	57	15	29	98	127	74
20	3/4"	84	64	157	63	17	42	102	131	75
25	1"	110	95	179	80	25	52	118	147	76
40	1 1/4", 1 1/2"	135	94	228	100	30	66	120	149	77
50	2"	165	170	257	110	38	76	155	184	78

2/2 AIR OPERATED VALVE

TYPE	PRESSURE

TYPE	PRESSURE

TYPE	PRESSURE
23101	0 - 40 bar



FEATURES

- Bubble tight shut off
- Mounts in any position
- Vibration resistance up to 9g
- Suitable for high speed cycling
- Speed up to 300 cycles/ min.
- Life >10 million cycles

WETTED PARTS

Code	※	B2	B12
Body	Powder Coated Aluminium Cast/ CF8M	Brass	CF8M
Internals	Aluminium, Brass and SS 316	Brass and SS 316	SS 316
Spring	SS 302		
Fasteners	SS 304		
Seat, Seals	NBR, Viton		

※ Do not specify code if opted.

AMBIENT AND FLUID TEMPERATURE

-20 °C to 80 °C

MEDIA

Air, Inert Gases, Water, Free Flowing Liquid, Oil, Diesel, Kerosene

APPLICATION

Can be used as 2/2 NC by using 3/2 NO Pilot

PORT CONNECTION

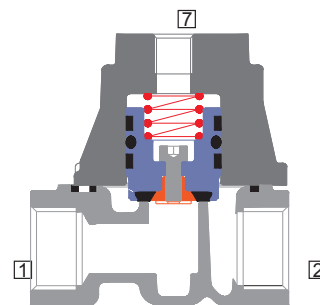
INLET	OUTLET	PILOT INLET
2	1	7

Contact Rotex for

- Any other ambient, fluid temperature, media and application
- PED approved valve



The External Air Pressure should be minimum 2 bar or ≥ main fluid pressure whichever is higher.
• NOTE : USE 3/2 NO PILOT FOR USING THIS VALVE AS NC OR
USE 3/2 NC PILOT FOR USING THIS VALVE AS NO



SPARES (Refer page 25 for ordering code)

SPARE KIT	CODE
Seal Kit : Oring Set	98
Repair Kit : Oring Set, Fastener, Springs	99



2/2 AIR OPERATED VALVE

SPECIFICATION

SIZE	PORT CONNECTION		PRE-SURE bar		ORIFICE (mm)		VALVE TYPE	PILOT PRESSURE	BODY MATERIAL AND INTERNALS			SEALS				MANUAL OVERRIDE		SOLENOID ENCLOSURE		SUFFIX		POWER VA		CONSTRUCTION REFERENCE NUMBER
	BSP(F)	NPT(F)	MINIMUM	MAXIMUM	ORIFICE (mm)	FLOW FACTOR kv (LPM OF WATER @ 1 bar ΔP)			ALUMINIUM	BRASS	SS 316/CF8M	NBR	Viton	EPDM	HYTREL	PTFE	NIL	STAYPUT CUM MOMENTARY	WEATHER PROOF	EXPLOSION PROOF	OXYGEN	AMONIA	AC INRUSH	
2/2 NORMALLY CLOSED																								
1/2"	4G	4R	0	40	12	60	23101	2-40		B12	×	S2	S1											79
3/4"	6G	6R	0	40	20	110	23101	2-40		B12	×	S2	S1											80
1"	8G	8R	0	40	25	185	23101V1	2-40		B12	×	S2	S1											81
1 1/4"	10G	10R	0	40	40	400	23101	2-40		B12	×	S2	S1											82
1 1/2"	12G	12R	0	40	40	440	23101	2-40		B12	×	S2	S1											82
2"	16G	16R	0	40	50	650	23101V1	2-40		B12	×	S2	S1											84

※ = Do not specify when opted for
 ✓ = Options available

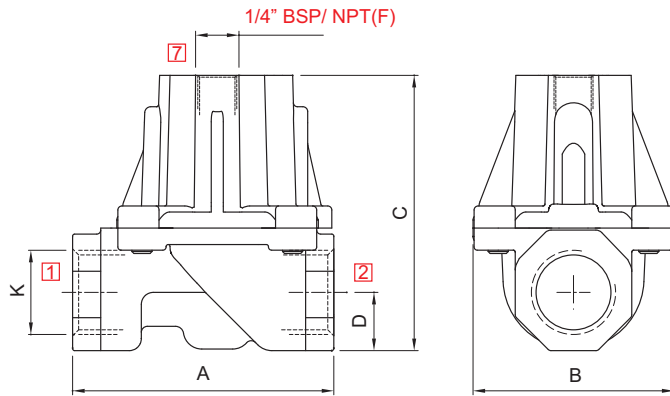
* Valve type printed in red colour is external pilot air/ air operated valve

ORDERING CODE AND EXAMPLE VALVE

TYPE – SUFFIX – ORIFICE – PORT CONNECTION – BODY AND INTERNALS – SEAL
 e.g. 23101-20-6R-S1

DIMENSIONS

All Dimensions are in mm

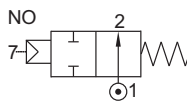


NW	K (PORT SIZE)	A	B	C	D	CONST. REF.
12	1/2", 3/8", 1/4"	65	50	70	15	79
20	3/4"	84	64	91	17	80
25	1"	110	95	110	25	81
40	1 1/4"	135	94	130	30	82
40	1 1/2"	135	94	130	30	82
50	2"	165	170	166	38	84

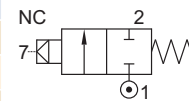
2/2 AIR OPERATED, ISOLATED PISTON, NORMALLY CLOSED/ OPEN VALVE

TYPE	PRESSURE

TYPE	PRESSURE
23202	0 - 20 bar



TYPE	PRESSURE
23102	0 - 20 bar



FEATURES

- Bubble tight shut off
- Mounts in any position
- Vibration resistance up to 9g
- Suitable for high speed cycling
- Speed up to 600 cycles/ min
- Life >10 million cycles

WETTED PARTS

Code	※		
Body	Powder Coated Aluminium Cast/ CF8M		
Internals	Aluminium, Brass and SS 316		
Spring	SS 302		
Fasteners	SS 304		
Seat, Seals	NBR, Viton		

※ Do not specify code if opted.

AMBIENT AND FLUID TEMPERATURE

-20 °C to 80 °C

MEDIA

Air, Inert Gases, Water, Vacuum, Free Flowing Liquid, Oil, Diesel, Kerosene, LPG, Furnace Oil

APPLICATION

Ideally suited for ON/ OFF control of fuel gas

PORT CONNECTION

	INLET	OUTLET	PILOT INLET
NC	2	1	7
NO	1	2	8

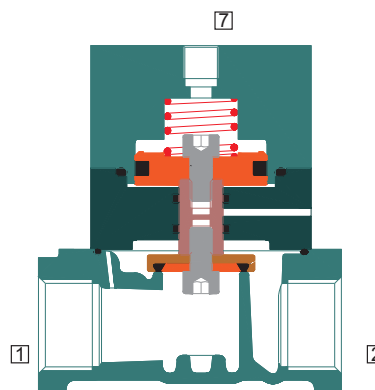
Contact Rotex for

- Any other ambient, fluid temperature, media and application



The External Air Pressure should be minimum 2 bar or \geq main fluid pressure whichever is higher.

Specifications are subject to change without notice.



SPARES

(Refer page 25 for ordering code)

SPARE KIT	CODE
Seal Kit : Oring Set	98
Repair Kit : Oring Set, Fastener, Springs	99

2/2 AIR OPERATED, ISOLATED PISTON, NORMALLY CLOSED/ OPEN VALVE

SPECIFICATION

SIZE	PORT CONNECTION		PRE-SURE bar		ORIFICE (mm)	FLOW FACTOR kv (LPM OF WATER @ 1 bar AP)	VALVE TYPE	PILOT PRESSURE	BODY MATERIAL AND INTERNALS		SEALS					MANUAL OVERRIDE		SOLENOID ENCLOSURE		SUFFIX		POWER VA		CONSTRUCTION REFERENCE NUMBER	
	BSP(F)	NPT(F)	MINIMUM	MAXIMUM					ALUMINIUM	BRASS SS 316/CF8M	NBR	Viton	EPDM	HYTREL	PTFE	NIL	STAYPUT CUM MOMENTARY	WEATHER PROOF	EXPLOSION PROOF	OXYGEN	AMONIA	AC INRUSH	AC HOLDING		DC
2/2 NORMALLY CLOSED																									
1/2"	4G	4R	0	20	12	60	23102	2-20	×		×	S2										✓			85
3/4"	6G	6R	0	20	20	110	23102	2-20	×		×	S2										✓			86
1"	8G	8R	0	20	25	185	23102V1	2-20	×		×	S2										✓			87
1 1/4"	10G	10R	0	20	40	400	23102	2-20			×	S2										✓			88
1 1/2"	12G	12R	0	20	40	440	23102	2-20	×		×	S2										✓			88
2"	16G	16R	0	20	50	650	23102V1	2-20	×		×	S2										✓			90
2/2 NORMALLY OPEN																									
1/2"	4G	4R	0	20	12	60	23202	2-20	×		×	S2										✓			85
3/4"	6G	6R	0	20	20	110	23202	2-20	×		×	S2										✓			86
1"	8G	8R	0	20	25	185	23202V1	2-20	×		×	S2										✓			87
1 1/4"	10G	10R	0	20	40	400	23202	2-20			×	S2										✓			88
1 1/2"	12G	12R	0	20	40	440	23202	2-20	×		×	S2										✓			88
2"	16G	16R	0	20	50	650	23202V1	2-20	×		×	S2										✓			90

× = Do not specify when opted for
✓ = Options available

* Valve type printed in red colour is external pilot air/ air operated valve

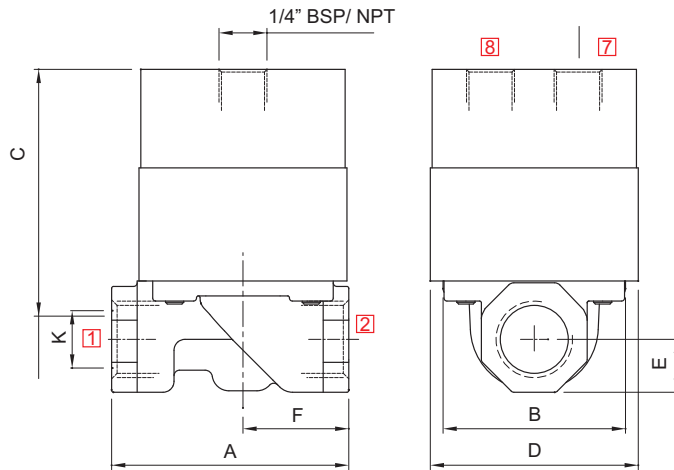
ORDERING CODE AND EXAMPLE VALVE

TYPE – SUFFIX – ORIFICE – PORT CONNECTION – BODY AND INTERNALS – SEAL

e.g. 23102AM-12-B2-S1

DIMENSIONS

All Dimensions are in mm



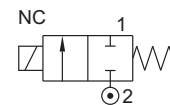
NW	K (PORT SIZE)	A	B	C	D	E	F	CONST. REF.
12	1/2"	65	50	89	57	15	29	85
20	3/4"	84	64	110	63	17	42	86
25	1"	110	95	132	80	25	52	87
40	1 1/4"	135	94	181	100	30	66	88
40	1 1/2"	135	94	181	100	30	66	88
50	2"	165	170	210	110	38	76	90

2/2 DIRECT ACTING HIGH PRESSURE SOLENOID VALVE

TYPE	PRESSURE

TYPE	PRESSURE

TYPE	PRESSURE
20116	0 - 400 bar



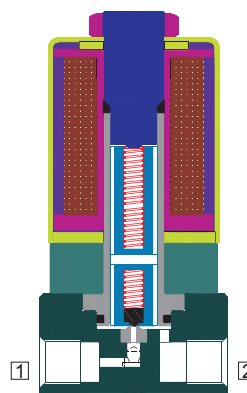
FEATURES

- Bubble tight shut off
- Mounts in any position
- Vibration resistance up to 9g
- Suitable for high speed cycling
- Speed up to 300 cycles/ min
- Life >2 million cycles



WETTED PARTS

Code		B12
Body		SS 316
Internals		SS 316
Guide Assembly	SS 304	
Shadow-Ring	None	
Plunger, Insert	SS 430	
Spring	SS 302	
Seat, Seals	PTFE, Viton	
Fasteners	SS 304	



AMBIENT AND FLUID TEMPERATURE

-20 °C to 80 °C

SPECIAL VERSION AND SUFFIX

Suffix : (Valve) AM, WO
Special version : (Solenoid) CO, FR, SS, LC, TM

MEDIA

Air, Inert Gases, Water, Vacuum, Free Flowing Liquids, Oil, Diesel, Kerosene, LPG, CNG

APPLICATION

Fuel Gas Cutoff

PORT CONNECTION

FUNCTION	INLET	OUTLET	
NC	2	1	

- Contact Rotex for
- Any other ambient, fluid temperature, media and application
 - PED approved valve

SPARES

(Refer page 25 for ordering code)

SPARE KIT	CODE
Seal Kit : Oring Set and Plunger Assembly	98
Repair Kit : Oring Set, Plunger Assembly, Springs	99
	34

APPROVAL

(* applied for)

Approval	Nema 4X	IP67	Ex d IIC T4 or T5 or T6 IP66	Ex ia IIC T6 IP67	DGMS	CCOE
		✓	✓	✓	✓	✓
CE		✓	✓	✓		
UL	✓		*			
			✓	✓		
			✓	✓		
			*	*		



2/2 DIRECT ACTING HIGH PRESSURE SOLENOID VALVE

SPECIFICATION

SIZE	PORT CONNECTION		PRE-SURE bar		ORIFICE (mm)	FLOW FACTOR kv (LPM OF WATER @ 1 bar AP)	VALVE TYPE	PILOT PRESSURE	BODY MATERIAL AND INTERNALS						SEALS					MANUAL OVERRIDE		SOLENOID ENCLOSURE			SUFFIX		POWER VA		CONSTRUCTION REFERENCE NUMBER
	BSP(F)	NPT(F)	MINIMUM	MAXIMUM					ALUMINIUM	ALUMINIUM + SS	BRASS (STD. PORT NPT)	SS 316/CF8M (STD. PORT NPT)	NBR	Viton	EPDM	HYTREL	PTFE	NIL	STAYPUT CUM MOMENTARY	FLYING LEAD	PLUG IN, IP67	SQ. PLUG IN, IP67	TERMINAL BOX IP67	Ex d IIC, T4 OR T6, IP67	LARGE ENCLOSURE	SOLENOID SIZE	OXYGEN	AMONIA	
2/2 NORMALLY CLOSED																													
1/4"	2R	0 300	1.4	0.6	20116									*	*				25	T	E	18	✓	13	13	13	91		
		0 400	1.2	0.5	20116									*	*				25	T	E	18	✓	13	13	13	91		
1/2"	4R	0 300	1.4	0.6	20116									*	*				25	T	E	18	✓	13	13	13	92		
		0 400	1.2	0.5	20116									*	*				25	T	E	18	✓	13	13	13	92		

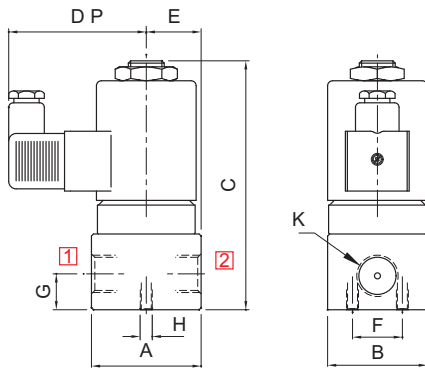
Cable Entry	T	E	* = Do not specify when opted for
M20 x 1.5	19	39	✓ = Options available
1/2" NPT	16	37	

ORDERING CODE AND EXAMPLE VALVE + SOLENOID

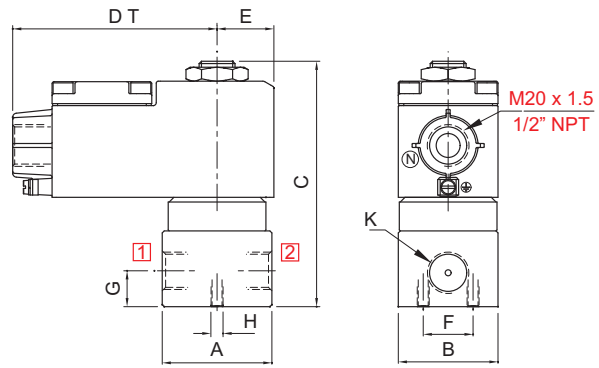
TYPE – SUFFIX – ORIFICE – PORT CONNECTION – BODY AND INTERNALS – SEAL +
 SIZE – VOLTAGE – CURRENT – SOLENOID ENCLOSURE – APPROVAL – INSULATION – SPECIAL VERSION
 e.g. 20116-1.2-2R+220V 50Hz-25; 20116-1.4-2R-B2+24V DC-16

DIMENSIONS

All Dimensions are in mm



PLUG IN SOLENOID TYPE 22/ 25



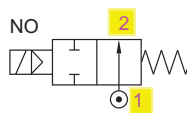
TERMINAL BOX/ Ex d/ TYPE 16, 19, 37, 39

K (PORT SIZE)	A	B	C	DP	DT	E	F	G	H	CONST. REF.
VALVE TYPE : 20116										
1/4"	55	50	125	68	103	28	25	10	M6	91
1/2"	55	50	133	68	103	28	25	10	M6	92

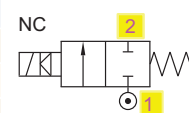
2/2 POPPET TYPE, NC/ NO HIGH PRESSURE (70 bar) SOLENOID VALVE

TYPE	PRESSURE

TYPE	PRESSURE
21204	3 - 70 bar



TYPE	PRESSURE
21104	3 - 70 bar



FEATURES

- Bubble tight shut off
- Mounts in any position
- Vibration resistance up to 9g
- Suitable for high speed cycling
- Speed up to 300 cycles/ min
- Life > 5 million cycles

WETTED PARTS

Code	B2	B5
Body	Brass	SS 316
Internals	Brass and SS 316	SS 316
Guide Assembly	SS 304	
Shadow-Ring	None	
Plunger, Insert	SS 430	
Spring	SS 302	
Seat, Seals	PTFE, Viton	
Fasteners	SS 304	

AMBIENT AND FLUID TEMPERATURE

-20 °C to 80 °C

SPECIAL VERSION AND SUFFIX

Suffix : (Valve) AM, WO
Special version : (Solenoid) CO, FR, SS, TM

MEDIA

Air, Inert Gases, Water, Free Flowing Liquids,
Oil, Diesel, Kerosene, LPG

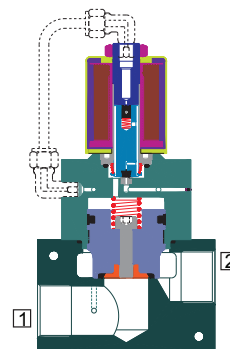
APPLICATION

Line Mounted

PORT CONNECTION

FUNCTION	INLET	OUTLET
NC	1	2
NO	1	2

- Contact Rotex for
- Any other ambient, fluid temperature, media and application
 - PED approved valve



SPARES (Refer page 25 for ordering code)

SPARE KIT	CODE
Seal Kit : Oring Set and Plunger Assembly	98
Repair Kit : Oring Set, Plunger Assembly, Springs, Manual Override	99
Solenoid Kit : Solenoid, Gasket and Nut	34

APPROVAL (* applied for)

Approval	Nema 4X	IP67	Ex d IIC T4 or T5 or T6 IP66	Ex ia IIC T6 IP67	DGMS	CCOE
		✓	✓	✓	✓	✓
CE		✓	✓	✓		
UL	✓		*			
			✓	✓		
			✓	✓		
			*	*		



2/2 POPPET TYPE, NC/ NO HIGH PRESSURE (70 bar) SOLENOID VALVE

SPECIFICATION

PORT CONNECTION			PRE-SURE bar		ORIFICE (mm)	FLOW FACTOR kv (LPM OF WATER @ 1 bar AP)	VALVE TYPE	PILOT PRESSURE	BODY MATERIAL AND INTERNALS					SEALS					MANUAL OVERRIDE		SOLENOID ENCLOSURE				SUFFIX		POWER VA		CONSTRUCTION REFERENCE NUMBER
SIZE	BSP(F)	NPT(F)	MINIMUM	MAXIMUM					ALUMINIUM	ALUMINIUM + SS	BRASS	SS 316/CF8M	NBR	Viton	EPDM	HYTREL	PTFE	NIL	STAYPUT CUM MOMENTARY	FLYING LEAD	PLUG IN, IP67	SQ. PLUG IN, IP67	TERMINAL BOX IP67	Ex d IIC, T4 OR T6, IP67	LARGE ENCLOSURE	SOLENOID SIZE	OXYGEN	AMONIA	

2/2 NORMALLY CLOSED

1/4"	2R	3	70	12	60	21104			B2	*				*	*	M11 M4	25	T	E	18		✓	11	11	11	11	93
1/2"	4R	3	70	12	60	21104			B2	*				*	*	M11 M4	25	T	E	18		✓	11	11	11	11	93
3/4"	6R	3	70	20	110	21104			B2	*				*	*	M11 M4	25	T	E	18		✓	11	11	11	11	94
1"	8R	3	70	25	180	21104			B2	*				*	*	M11 M4	25	T	E	18		✓	11	11	11	11	95
1 1/2"	12R	3	70	40	400	21104				*				*	*	M11 M4	25	T	E	18		✓	11	11	11	11	96
2"	16R	3	70	50	600	21104				*				*	*	M11 M4	25	T	E	18		✓	11	11	11	11	97

2/2 NORMALLY OPEN

1/4"	2R	3	70	12	60	21204			B2	*				*	*	M11 M4	25	T	E	18		✓	11	11	11	11	93
1/2"	4R	3	70	12	60	21204			B2	*				*	*	M11 M4	25	T	E	18		✓	11	11	11	11	93
3/4"	6R	3	70	20	110	21204			B2	*				*	*	M11 M4	25	T	E	18		✓	11	11	11	11	94
1"	8R	3	70	25	180	21204			B2	*				*	*	M11 M4	25	T	E	18		✓	11	11	11	11	95
1 1/2"	12R	3	70	40	400	21204				*				*	*	M11 M4	25	T	E	18		✓	11	11	11	11	96
2"	16R	3	70	50	600	21204				*				*	*	M11 M4	25	T	E	18		✓	11	11	11	11	97

Cable Entry	T	E
M20 x 1.5	19	39
1/2" NPT	16	37

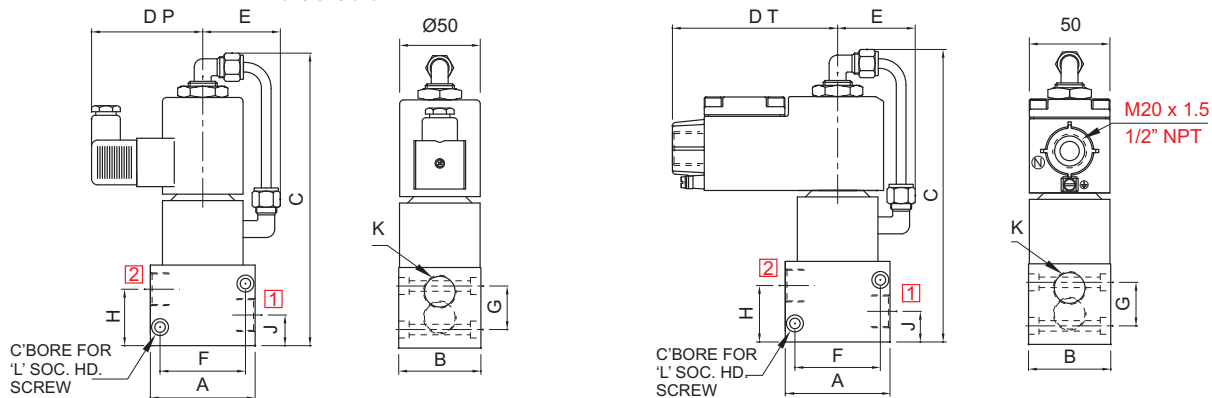
* = Do not specify when opted for
✓ = Options available

ORDERING CODE AND EXAMPLE VALVE + SOLENOID

TYPE - SUFFIX - ORIFICE - PORT CONNECTION - BODY AND INTERNALS - MANUAL OVERRIDE - SEAL + SIZE - VOLTAGE - CURRENT - SOLENOID ENCLOSURE - APPROVAL - INSULATION - SPECIAL VERSION
e.g. 21104-12-4G-B2+12V DC-25; 21104-20-6R-B5-M11+230V 50Hz-37

DIMENSIONS

All Dimensions are in mm



SQUARE PLUG IN SOLENOID TYPE 25

TERMINAL BOX/ Ex d, TYPE16, 19, 37, 39, LC

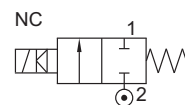
NW	K (PORT SIZE)	A	B	C	DP	DT	E	F	G	H	J	L	CONST. REF.
VALVE TYPE : 21104, 21204													
12	1/2"	65	51	182	68	103	48	53	27	35	19	M6	93
20	3/4"	80	61	200	68	103	53	66	31	42	23	M6	94
25	1"	110	81	213	68	103	63	90	50	47	23	M6	95
40	1 1/2"	135	100	240	68	103	70	115	75	64	31	M6	96
50	2"	166	110	263	68	103	83	147	88	72	35	M6	97

1/2 NORMALLY CLOSED, HIGH PRESSURE (400 bar) SOLENOID VALVE

TYPE	PRESSURE

TYPE	PRESSURE

TYPE	PRESSURE
21109	5 - 400 bar

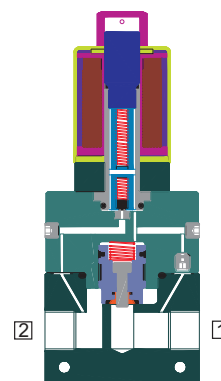


FEATURES

- Bubble tight shut off
- Mounts in any position
- Vibration resistance up to 9g
- Suitable for high speed cycling
- Speed up to 200 cycles/ min
- Life > 5 million cycles

WETTED PARTS

Code	B2	B5
Body	Brass	SS 316
Internals	Brass and SS 316	SS 316
Guide Assembly	SS 304	
Shadow-Ring	None	
Plunger, Insert	SS 430	
Spring	SS 302	
Seat, Seals	PTFE, Viton	
Fasteners	SS 304	
External Fasteners	High Strength Steel	



AMBIENT AND FLUID TEMPERATURE

-20 °C to 80 °C

SPECIAL VERSION AND SUFFIX

Suffix : (Valve) AM, WO
Special versions : (Solenoid) CO, FR, SS, LC, TM

MEDIA

Air, Inert Gases, Water, Free Flowing Liquids, Oil, Diesel, Kerosene, LPG, CNG

APPLICATION

Fuel line Cut OFF, Priority panel, Dispensing

PORT CONNECTION

FUNCTION	INLET	OUTLET
NC	1	2

- Contact Rotex for
- Any other ambient, fluid temperature, media and application
 - PED approved valve



SPARES

(Refer page 25 for ordering code)

SPARE KIT	CODE
Seal Kit : Oring Set and Plunger Assembly	98
Repair Kit : Oring Set, Plunger Assembly, Springs	99
Solenoid Kit : Solenoid, Gasket and Nut	34

APPROVAL

(* applied for)

Approval	Nema 4X	IP67	Ex d IIC T4 or T5 or T6 IP66	Ex ia IIC T6 IP67	DGMS	CCOE
		✓	✓	✓	✓	✓
		✓	✓	✓		
	✓		*			
			✓	✓		
			✓	✓		
			*	*		



2/2 NORMALLY CLOSED, HIGH PRESSURE (400 bar) SOLENOID VALVE

SPECIFICATION

SIZE	PORT CONNECTION		PRE-SURE bar		ORIFICE (mm)	FLOW FACTOR kv (LPM OF WATER @ 1 bar ΔP)	VALVE TYPE	PILOT PRESSURE	BODY MATERIAL AND INTERNALS					SEALS					MANUAL OVERRIDE		SOLENOID ENCLOSURE		SUFFIX		POWER VA			CONSTRUCTION REFERENCE NUMBER
	BSP(F)	NPT(F)	MINIMUM	MAXIMUM					ALUMINIUM	ALUMINIUM + SS	BRASS	SS 316/CF8M	NBR	Viton	EPDM	HYTREL	PTFE	NIL	STAYPUT CUM MOMENTARY	WEATHER PROOF	EXPLOSION PROOF	OXYGEN	AMONIA	AC INRUSH	AC HOLDING	DC		
2/2 NORMALLY CLOSED																												
1/4"	2G	2R	5	400	12	60	21109					*				*	*			25	T	E	18	✓	13	13	13	98
3/8"	3G	3R	5	400	12	60	21109					*				*	*			25	T	E	18	✓	13	13	13	99
1/2"	4G	4R	5	400	12	60	21109					*				*	*			25	T	E	18	✓	13	13	13	100
3/4"	6G	6R	5	400	20	110	21109					*				*	*			25	T	E	18	✓	13	13	13	101
1"	8G	8R	5	400	25	180	21109					*				*	*			25	T	E	18	✓	13	13	13	102

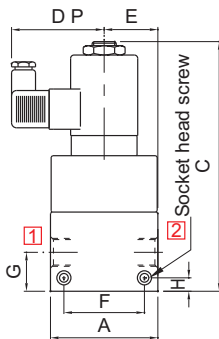
Cable Entry T E * = Do not specify when opted for
 M20 x 1.5 19 39 ✓ = Options available
 1/2" NPT 16 37

ORDERING CODE AND EXAMPLE VALVE + SOLENOID

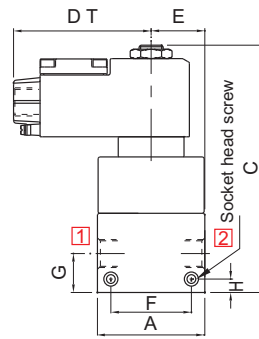
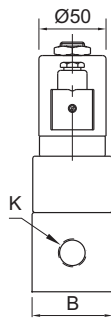
TYPE – SUFFIX – ORIFICE – PORT CONNECTION – BODY AND INTERNALS – SEAL +
 SIZE – VOLTAGE – CURRENT – SOLENOID ENCLOSURE – APPROVAL – INSULATION – SPECIAL VERSION
 e.g. 21109-12-4G+220V 50Hz-39

DIMENSIONS

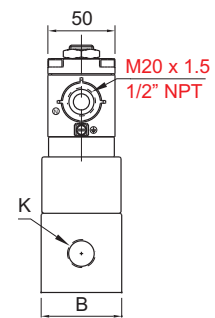
All Dimensions are in mm



SQ. PLUG IN SOLENOID TYPE 25



TERMINAL BOX/Ex d, TYPE 16,19,37,39,LC



NW	K (PORT SIZE)	A	B	C	DP	DT	E	F	G	H	J	CONST. REF.
VALVE TYPE : 21109												
7	1/4"	80	60	180	68	103	30	60	29	10	M6	98
10	3/8"	80	60	180	68	103	30	60	29	10	M6	99
12	1/2"	80	60	180	68	103	30	60	29	10	M6	100
20	3/4"	110	81	210	68	103	41	90	29	10	M6	101
25	1"	110	81	210	68	103	41	90	29	10	M6	102