



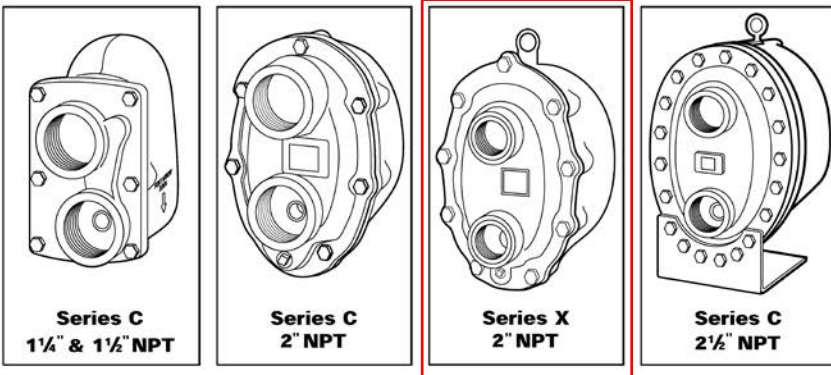
# Bell & Gossett

a xylem brand

**SUBMITTAL**

**HS-226E**

<b>JOB:</b>	<b>REPRESENTATIVE:</b>	
<b>UNIT TAG:</b>	<b>ORDER NO.</b>	<b>DATE:</b>
<b>ENGINEER:</b>	<b>SUBMITTED BY:</b>	<b>DATE:</b>
<b>CONTRACTOR:</b>	<b>APPROVED BY:</b>	<b>DATE:</b>



## Hoffman Specialty®



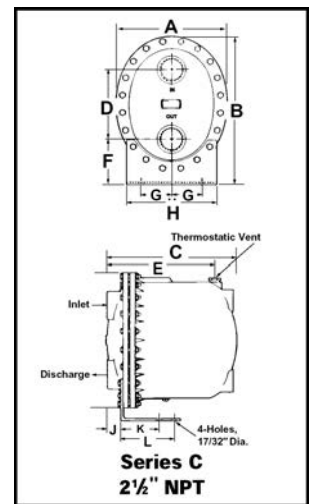
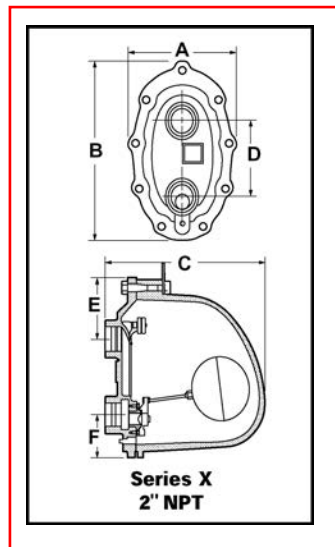
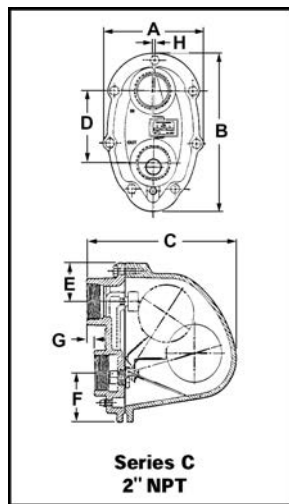
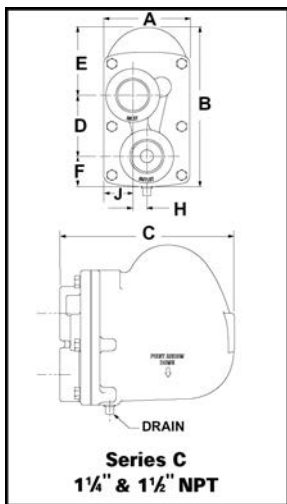
### Series C & X Float and Thermostatic Steam Traps

#### SCHEDULE

PART NUMBER	MODEL NUMBER	SIZE NPT INCHES	INLET PRESS. psi (bar)	DIFF. PRESS. psi (bar)	FLOW RATE lb/hr (kg/hr)	TAGGING INFORMATION	QUANTITY
404230	FT015C-6	1-1/2					
404240	FT015C-8	2					
404242	FT015X-8	2					
404244	FT015C-10	2-1/2					
404232	FT030C-6	1-1/2					
401887	FT030C-8	2					
401899	FT030X-8	2					
401875	FT030C-10	2-1/2					
404224	FT075C-5	1-1/4					
404234	FT075C-6	1-1/2					
401890	FT075C-8	2					
401902	FT075X-8	2					
401878	FT075C-10	2-1/2					
404226	FT125C-5	1-1/4					
404236	FT125C-6	1-1/2					
401893	FT125C-8	2					
401905	FT125X-8	2					
401881	FT125C-10	2-1/2					
404228	FT175C-5	1-1/4					
404238	FT175C-6	1-1/2					
401896	FT175C-8	2					
401907	FT175X-8	2					
401884	FT175C-10	2-1/2					

**Materials of Construction**

Part	Specifications
Body and cover	Cast Iron 30,000 psi tensile
Valve Pin and Seat	Stainless Steel (Hardened)
Float	Stainless Steel
Lever Assembly	Stainless Steel
Thermostatic Air Vent	Stainless Steel Cage and Thermal Element
Cover Bolts	Grade 5 Steel
Baffle	Stainless Steel (2-1/2" units only)



**Dimensions In. (mm)**

NPT Size in.	A	B	C	D	E	F	G	H	J	K	L	Weight lbs. (kg)
1-1/4	4-1/4 (108)	8-5/16 (211)	8-9/16 (217)	3 (76)	3-3/8 (86)	2 (51)	-	45/64 (17.8)	1-3/8 (35)	-	-	18 (8.2)
1-1/2	4-1/4 (108)	8-5/16 (211)	8-9/16 (217)	3 (76)	3-3/8 (86)	2 (51)	-	45/64 (17.8)	1-3/8 (35)	-	-	18 (8.2)
2-Std.	7-3/16 (183)	10-1/8 (265)	10-1/2 (267)	4-15/16 (379)	2-11/16 (68)	3-1/4 (83)	1/2 (12.7)	1/8 (3.2)	-	-	-	33 (15)
2-X	10 (254)	15 (381)	15-1/2 (394)	6-5/8 (168)	4-3/4 (121)	3-1/2 (89)	-	-	-	-	-	108 (49)
2-1/2	14-1/2 (368)	20-1/4 (514)	17-3/8 (441)	9-1/2 (241)	14-15/16 (379)	6-1/4 (159)	5 (127)	12 (305)	1-5/8 (41)	4-1/2 (114)	7 (178)	175 (79)

**Ratings**

NPT Size in.	Max. Operating Pressure psig (bar)	Maximum Temperature °F (°C)
1-1/4 through 2-1/2	175 (12.1)	377 (192)

Meets Mil Specification A-A-60001 Type VI, Class 1 - 5.

Capacities (shown as Gross Ratings).

Model	NPT Size in.	Orifice Size in. (mm)	Pressure Differential in Pounds Per Square Inch (bar)																	
			1/4 (0.017)	1/2 (0.035)	1 (0.07)	2 (0.14)	5 (0.35)	10 (0.69)	15 (1.0)	20 (1.4)	25 (1.69)	30 (2.1)	40 (2.8)	50 (3.5)	60 (4.2)	75 (5.2)	100 (6.9)	125 (8.6)	150 (10.4)	175 (12.1)
			Capacity in Pounds of Condensate Per Hour (kg/hr)																	
FT015C-8	1-1/2	.5 (12.7)	1100 (500)	1700 (770)	2400 (1090)	3300 (1500)	5000 (2270)	6600 (3000)	7600 (3450)	-	-	-	-	-	-	-	-	-	-	-
FT015C-8	2	.687 (17.4)	2300 (1043)	2800 (1270)	3600 (1630)	4650 (2110)	6900 (3130)	9000 (4080)	10900 (4948)	-	-	-	-	-	-	-	-	-	-	-
FT015X-8	2	.970 (24.6)	6500 (2950)	8000 (3628)	9500 (4310)	10800 (4900)	15500 (7030)	20900 (9480)	24000 (10885)	-	-	-	-	-	-	-	-	-	-	-
FT015C-10	2-1/2	1.875 (47.6)	17000 (7710)	20000 (9070)	27000 (12250)	36000 (16330)	46000 (20865)	55000 (24950)	60000 (27210)	-	-	-	-	-	-	-	-	-	-	-
FT030C-6	1-1/2	.390 (10)	1000 (450)	1300 (590)	1700 (770)	2300 (1040)	3400 (1540)	4600 (2085)	5500 (2495)	6000 (2720)	6600 (2995)	7000 (3178)	-	-	-	-	-	-	-	-
FT030C-8	2	.563 (14)	1700 (771)	2500 (1134)	3100 (1406)	4100 (1859)	5800 (2630)	7650 (3470)	9000 (4082)	10200 (4626)	11100 (5034)	1200 (5443)	-	-	-	-	-	-	-	-
FT030X-8	2	.876 (22)	3400 (1543)	4600 (2088)	6400 (2905)	8400 (3813)	12500 (5675)	16900 (7672)	19000 (8626)	21500 (9761)	23590 (10669)	24000 (10896)	-	-	-	-	-	-	-	-
FT030C-10	2-1/2	1.625 (41)	14000 (6356)	17000 (7718)	20900 (9488)	25500 (11577)	33200 (15072)	40500 (18387)	45500 (20657)	49400 (22427)	52700 (23925)	55600 (25242)	-	-	-	-	-	-	-	-
FT075C-5	1-1/4	.312 (8)	600 (272)	800 (363)	1040 (470)	1410 (640)	2200 (1000)	3100 (1405)	3800 (1725)	4100 (1860)	4500 (2040)	4700 (2130)	5000 (2270)	5300 (2400)	5500 (2500)	5900 (2675)	-	-	-	-
FT075C-6	1-1/2	.312 (8)	600 (272)	800 (363)	1040 (470)	1410 (640)	2200 (1000)	3100 (1405)	3800 (1725)	4100 (1860)	4500 (2040)	4700 (2130)	5000 (2270)	5300 (2400)	5500 (2500)	5900 (2675)	-	-	-	-
FT075C-8	2	.390 (10)	1000 (453)	1350 (612)	1700 (771)	2150 (975)	2950 (1338)	3600 (1632)	4300 (1950)	4850 (2199)	5400 (2449)	5800 (2630)	6600 (2993)	7200 (3265)	7850 (3560)	8500 (3855)	-	-	-	-
FT075X-8	2	.585 (15)	2550 (1156)	3150 (1428)	4300 (1930)	5450 (2472)	7600 (3447)	10400 (4717)	11400 (5171)	12500 (5670)	13500 (5123)	14250 (6463)	15600 (7076)	17150 (7779)	18600 (8436)	20500 (9298)	-	-	-	-
FT075C-10	2-1/2	1.031 (26)	5900 (2676)	7700 (3492)	10000 (4536)	13000 (5896)	18600 (8436)	24200 (10977)	28300 (12836)	31600 (14333)	34400 (15603)	36800 (16692)	41100 (18642)	44800 (20321)	48040 (21790)	52300 (23723)	-	-	-	-
FT125C-5	1-1/4	.246 (6.2)	430 (195)	540 (245)	700 (320)	940 (425)	1400 (635)	1800 (820)	2200 (1000)	2350 (1065)	2600 (1180)	2800 (1270)	3150 (1430)	3400 (1540)	3500 (1590)	3850 (1750)	4400 (2000)	4800 (2180)	-	-
FT125C-6	1-1/2	.246 (6.2)	430 (195)	540 (245)	700 (320)	940 (425)	1400 (635)	1800 (820)	2200 (1000)	2350 (1065)	2600 (1180)	2800 (1270)	3150 (1430)	3400 (1540)	3500 (1590)	3850 (1750)	4400 (2000)	4800 (2180)	-	-
FT125C-8	2	.294 (7)	730 (331)	900 (408)	1180 (535)	1450 (657)	2000 (907)	2600 (1179)	3100 (1406)	3550 (1610)	3900 (1769)	4250 (1927)	4850 (2199)	5350 (2426)	5850 (2653)	6450 (2925)	7350 (3333)	8150 (3696)	-	-
FT125X-8	2	.448 (11)	2300 (1043)	2800 (1270)	3450 (1564)	4200 (1905)	5450 (2472)	6600 (2993)	7450 (3379)	8050 (3651)	8600 (3900)	8950 (4059)	10350 (4694)	11950 (5420)	13400 (6078)	15600 (7076)	18850 (8550)	21800 (9888)	-	-
FT125C-10	2-1/2	.797 (20)	4000 (1814)	5300 (2404)	6900 (3129)	9100 (4127)	13000 (5896)	17100 (7756)	20000 (9072)	22400 (10160)	24500 (11113)	26300 (11929)	29400 (13335)	32100 (14560)	34650 (15717)	37600 (17055)	42100 (19096)	46000 (20865)	-	-
FT175C-5	1-1/4	.210 (5.3)	260 (120)	350 (160)	480 (220)	640 (290)	940 (425)	1190 (540)	1450 (660)	1560 (710)	1670 (760)	1750 (790)	1910 (865)	2040 (925)	2100 (950)	2300 (1040)	2500 (1135)	2900 (1315)	3140 (1425)	3240 (1470)
FT175C-6	1-1/2	.210 (5.3)	260 (120)	350 (160)	480 (220)	640 (290)	940 (425)	1190 (540)	1450 (660)	1560 (710)	1670 (760)	1750 (790)	1910 (865)	2040 (925)	2100 (950)	2300 (1040)	2500 (1135)	2900 (1315)	3140 (1425)	3240 (1470)
FT175C-8	2	.244 (6)	520 (235)	660 (299)	820 (371)	1050 (476)	1450 (657)	1850 (836)	2250 (1020)	2600 (1179)	2900 (1315)	3100 (1406)	3600 (1632)	4050 (1837)	4400 (1995)	4800 (2177)	5600 (2540)	6250 (2835)	6800 (3084)	7500 (3402)
FT175X-8	2	.375 (10)	2100 (953)	2600 (1180)	3000 (1362)	3500 (1589)	4400 (1997)	4900 (2224)	5350 (2428)	5800 (2633)	6250 (2837)	6700 (3041)	7600 (3450)	8600 (3904)	9550 (4335)	11000 (4994)	13000 (5902)	14750 (6696)	16500 (7491)	18000 (8172)
FT175C-10	2-1/2	.688 (17)	2460 (1116)	3350 (1520)	4600 (2088)	6200 (2814)	9400 (4267)	12800 (5811)	15400 (6991)	17500 (7945)	19300 (8762)	21000 (9534)	23800 (10805)	26300 (11940)	28060 (12739)	31600 (14346)	35900 (16298)	39700 (18023)	43100 (19567)	46200 (20974)



Xylem Inc.  
 8200 N. Austin Avenue  
 Morton Grove, Illinois 60053  
 Phone: (847) 966-3700  
 Fax: (847) 965-8379  
 www.bellgossett.com