

GEAR PUMPS "E" SERIES

2PE

Displacements up to 1.58 cu.in./rev
Pressure up to 4300 psi



Displacements up to 25.8 cm³/rev
Pressure up to 300 bar

ASSEMBLING DIMENSIONS AND VALUES OF PRESSURE AND SPEED

Type		3.2*	3.9*	4.5	6.5	8.3	10.5	11.3	12.5	13.8	16	19	22.5	26
Displacement	cm ³ /rev cu.in./rev	3.2 0.19	3.9 0.24	4.6 0.27	6.5 0.40	8.2 0.50	10.6 0.65	11.5 0.68	12.7 0.77	13.8 0.84	16.6 1.01	19.4 1.15	22.9 1.37	25.8 1.58
Dimension A	mm in	47.1 1.83		49.95 1.97	52.8 2.07	56.35 2.22	59.6 2.35		63.5 2.5	67.5 2.65	75.6 2.97	81 3.19	86.8 3.42	
Dimension C	mm in	23.55 0.93		24.98 0.98	26.4 1.04	28.17 1.11	29.8 1.17		31.75 1.25	33.75 1.33	37.80 1.49	40.5 1.59	43.4 1.71	
Working pressure	p1 bar psi	250 3600						220 3140			200 2900	180 2600		
Intermittent pressure	p2 bar psi	280 4000						240 3450			220 3140	200 2900		
Peak pressure	p3 bar psi	300 4300						260 3750			240 3450	220 3140		
Max speed at	p2 rpm	4000				3500				3000		2750	2500	
Min speed at	p1 rpm	600				500				400		400	300	
Weight	kg lbs	2.01 4.4	2.05 4.5	2.1 4.6		2.25 5.0	2.3 5.1	2.37 5.2	2.4 5.3	2.5 5.5	2.8 6.2	2.95 6.5	3.1 6.8	

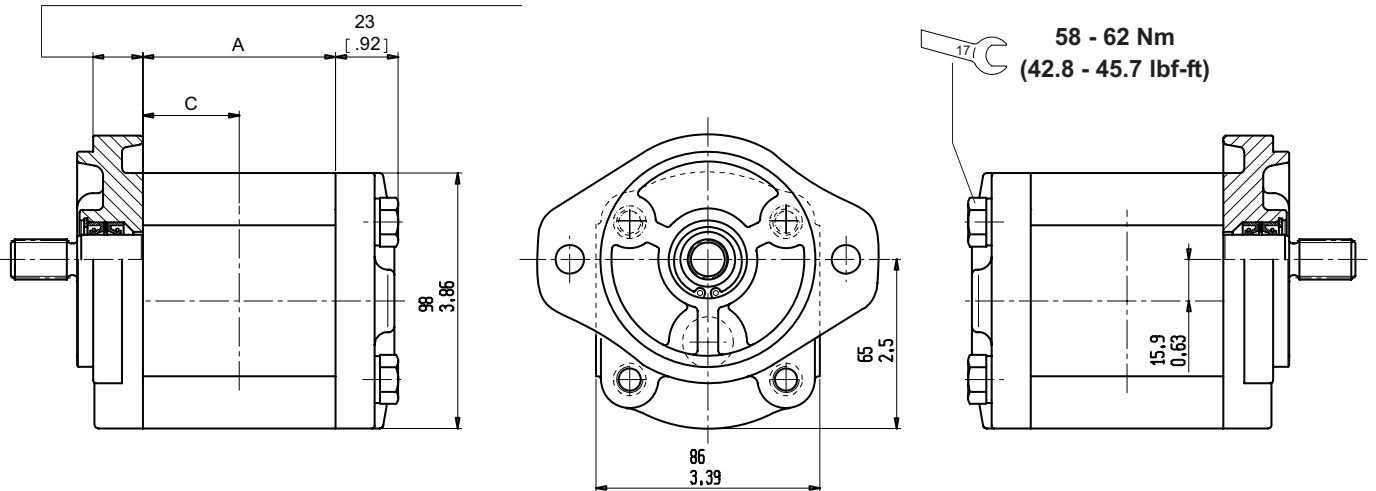
* Available only as rear pump

Performance curves carried out with oil viscosity at 16 cSt and oil temperature at 60°C

For flanges code:

P1 - B1 - S2 - S6, this dimension is 19 mm (0.75 in.)

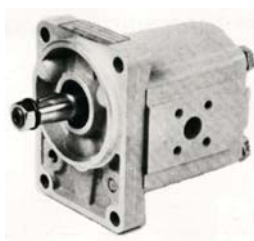
B2 - B3 - B4 - B5, this dimension is 16.5 mm (0.65 in.)



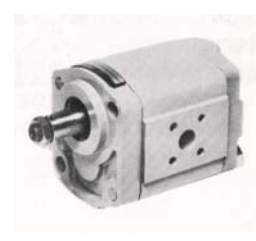
ASSEMBLING EXAMPLES



2PE - P28P1



2PE - B25B1

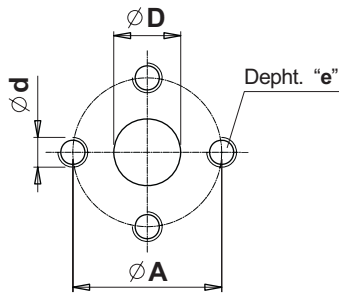


2PE - B25B4



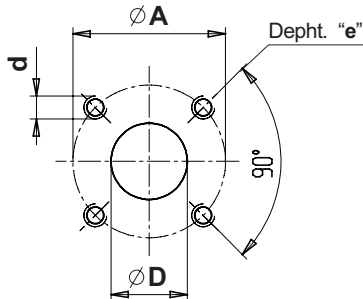
2PE - B62B1

FLANGED PORTS



Type	INLET				OUTLET			
	ØD	ØA	d	e	ØD	ØA	d	e
From 3.2 to 8.3	13 (0.51")	30 (1.19")	M6	13 (0.51")	13 (0.51")	30 (1.19")	M6	13 (0.51")
From 11.3 to 22.5	20 (0.78")	40 (1.56")	M8					
26	22 (0.87")							

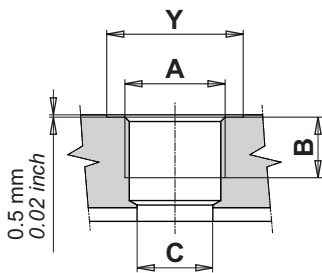
code P



Type	INLET				OUTLET			
	ØD	ØA	d	e	ØD	ØA	d	e
From 3.2 to 22.5	20 (0.78")	40 (1.56")	M6	13 (0.51")	15 (0.59")	35 (1.38")	M6	13 (0.51")
26	22 (0.87")							

code B

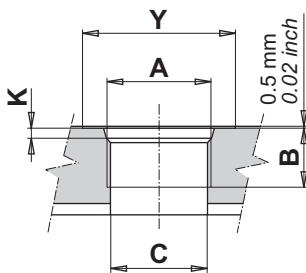
THREADED PORTS



Type	INLET			OUTLET		
	A	B	ØC	A	B	ØC
From 3.2 to 26	G3/4	16 (0.62")	20 (0.78")	G1/2	14 (0.54")	13 (0.51")

code G

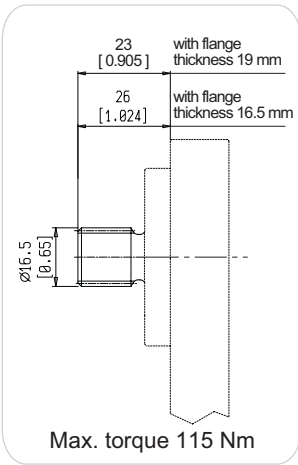
British standard pipe parallel (BSPP)



Type	INLET					OUTLET				
	A	B	ØC	Y	K	A	B	ØC	Y	K
From 3.2 to 26	1-1/16 UNF (SAE 12)	16 (0.62")	20 (0.78")	41 (1.61")	3.3 (0.12")	7/8 - 14 UNF (SAE 10)	14 (0.54")	13 (0.51")	34 (1.32")	2.5 (0.10")

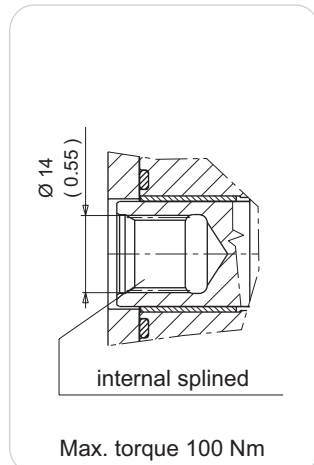
code R

SAE threaded (ODT)



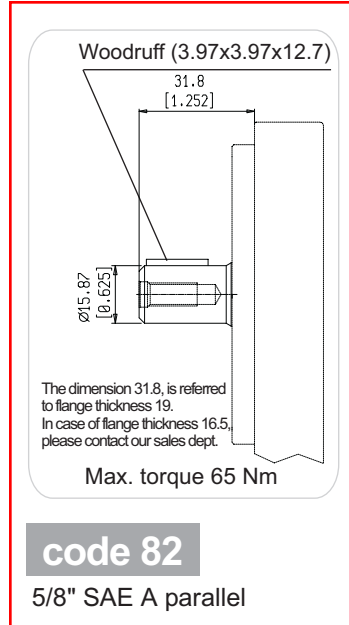
code 62

9 teeth DIN 5482 splined



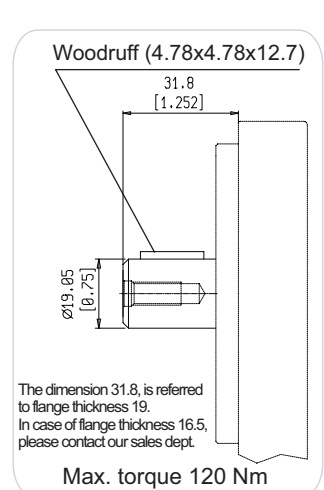
code 60

DIN 5480 internal splined
Only for rear pumps



code 82

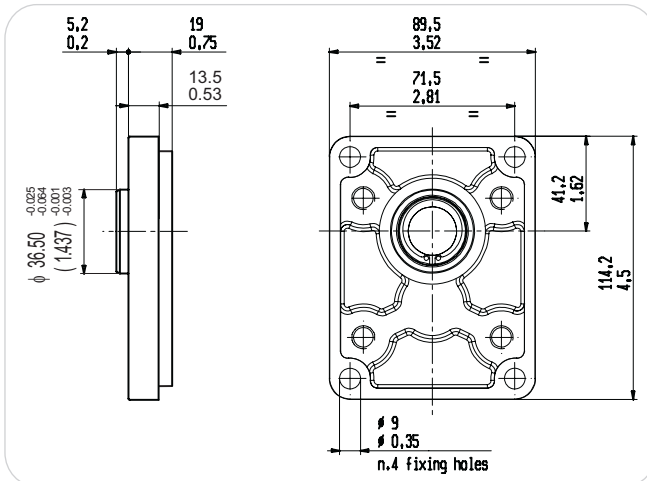
5/8" SAE A parallel



code 85

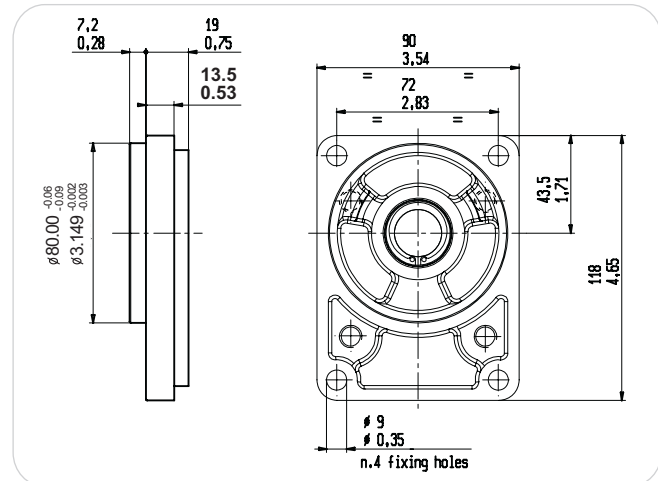
3/4" SAE A parallel

MOUNTING FLANGES



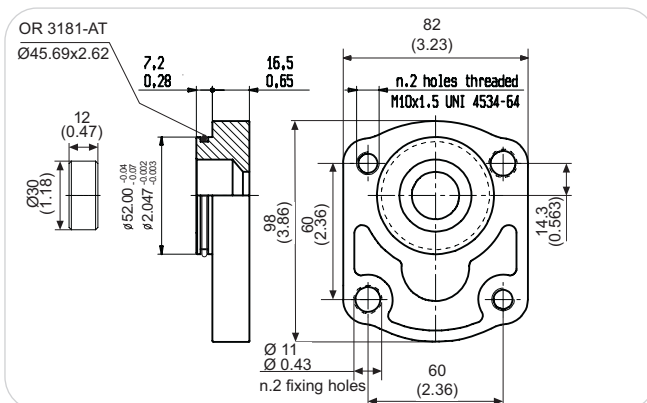
code P1

With shaft code 28 - 62 - 81 - 82 - 85



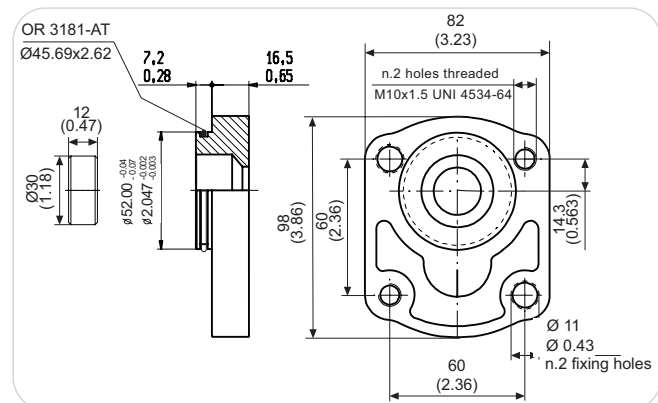
code B1

With shaft code 25-62



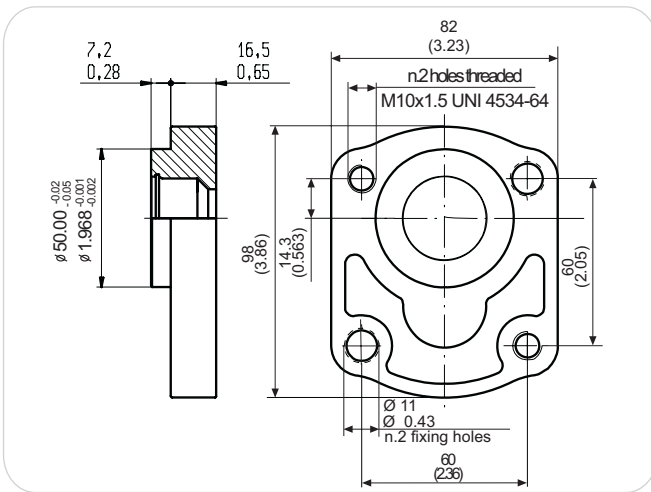
code B2

With shaft code 03-61

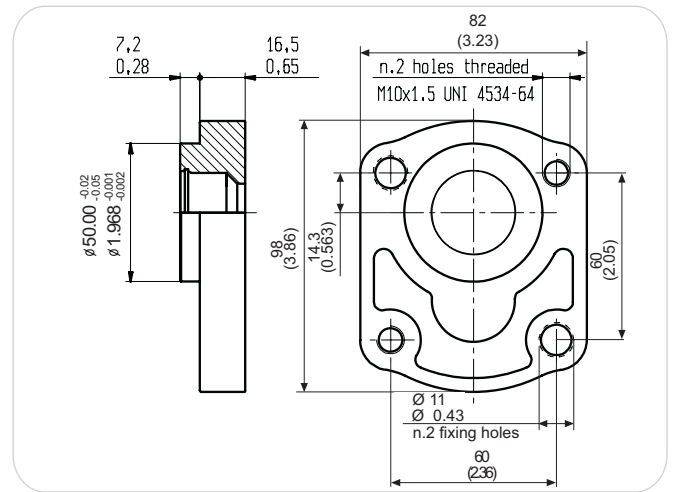


code B3

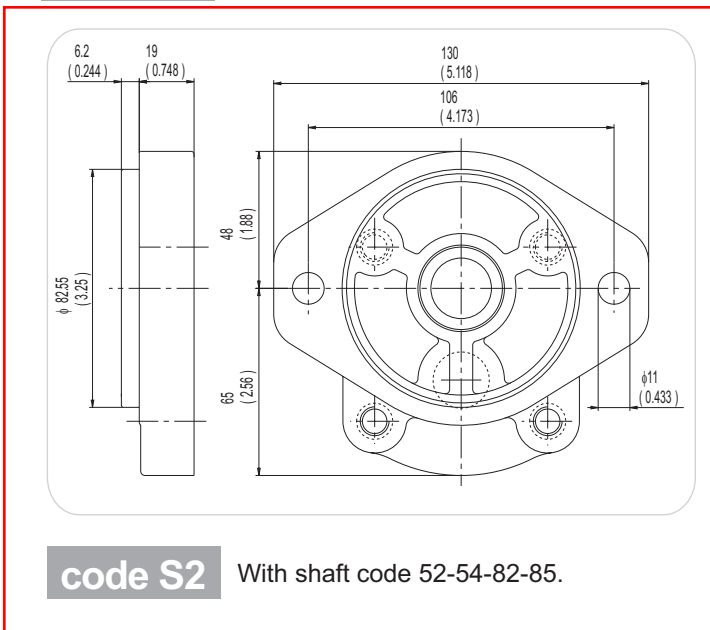
With shaft code 03-61



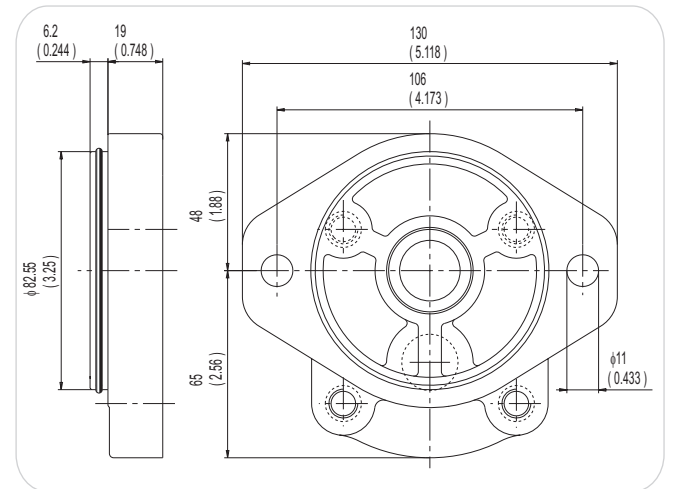
code B4 With shaft code 25-62



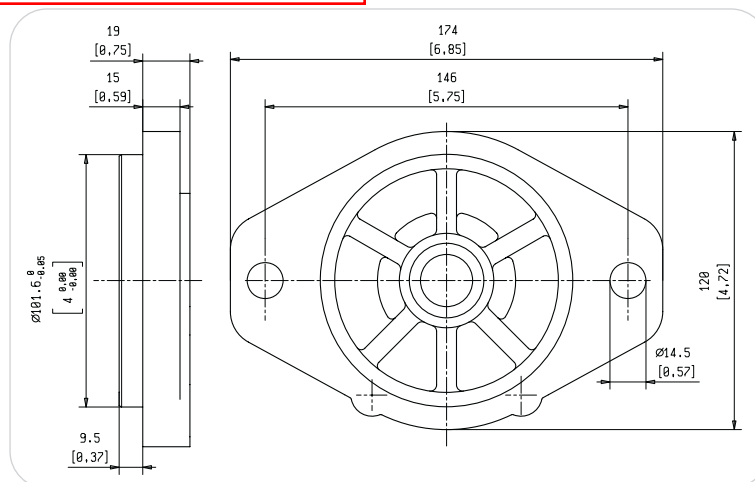
code B5 With shaft code 25-62



code S2 With shaft code 52-54-82-85.



code S6 With shaft code 52-54-82-85



code S3 With shaft code 52-54-55-82-85