

Anemoscope-relay JSL-1 E



Product Class G



JSL-1 E

Technical Data

Switching Capacity: 15 (8) A, 24–250 V~, at 24 V~ min. 150 mA
Differential Gap: > = 1 m/s
Contact: 1 microswitch as potential-free changeover contact (changeover switch)
Degree of protection: IP 65
Protection Class: I
Ambient Temperature: –40...+80° C
Max. Medium Temperature: 85° C
Lever: brass
Tag: V2 A (1.4301)
Colour: grey (bottom part: RAL 7096, upper part RAL 7035)

Application

Monitoring of air flows in ducts, in supply and exhaust air equipment of fans or electrical heating registers

| Type | Part No. | Min. Sw.-on Value | Min. Sw.-off Value | Max. Sw.-on Value | Max. Sw.-off Value |
|---------|-----------|-------------------|--------------------|-------------------|--------------------|
| JSL-1 E | JA 070100 | 2 m/s | 1 m/s | 9.2 m/s | 8.0 m/s |

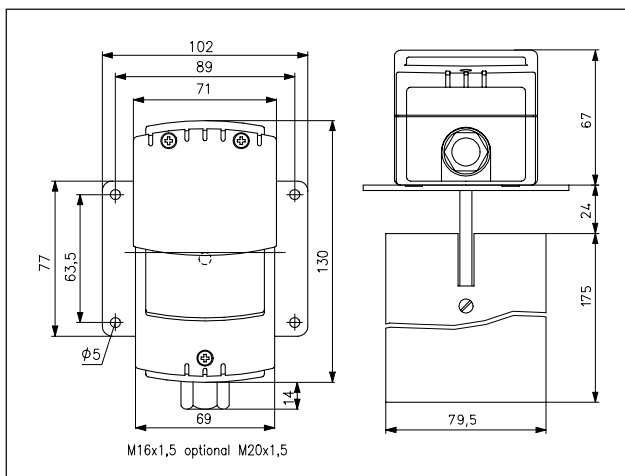
Accessories

JZ-08 Spare tag, s. S. 103–104
 E 6150031, Product class K

Option: threaded cable gland M 20 × 1.5 (standard M 16 × 1.5)

Flow Monitor for Air, without Auxiliary Power

JSL



JSL-1 E

