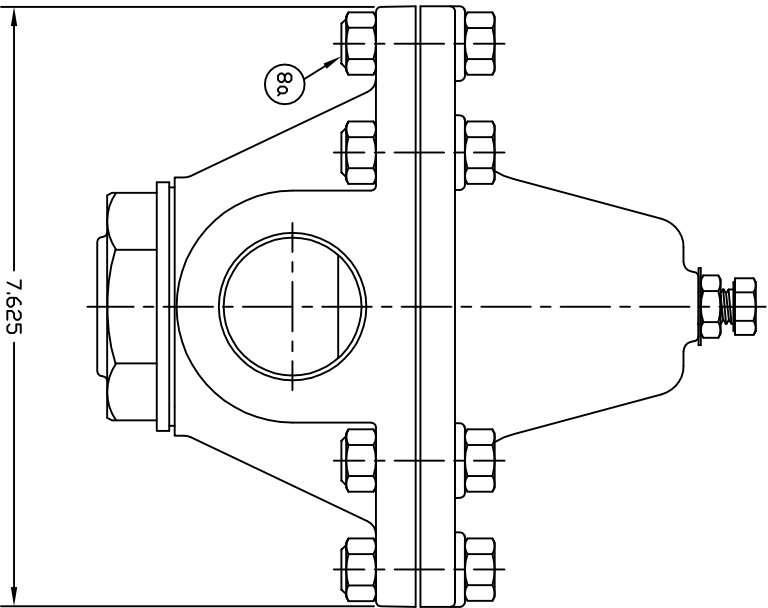
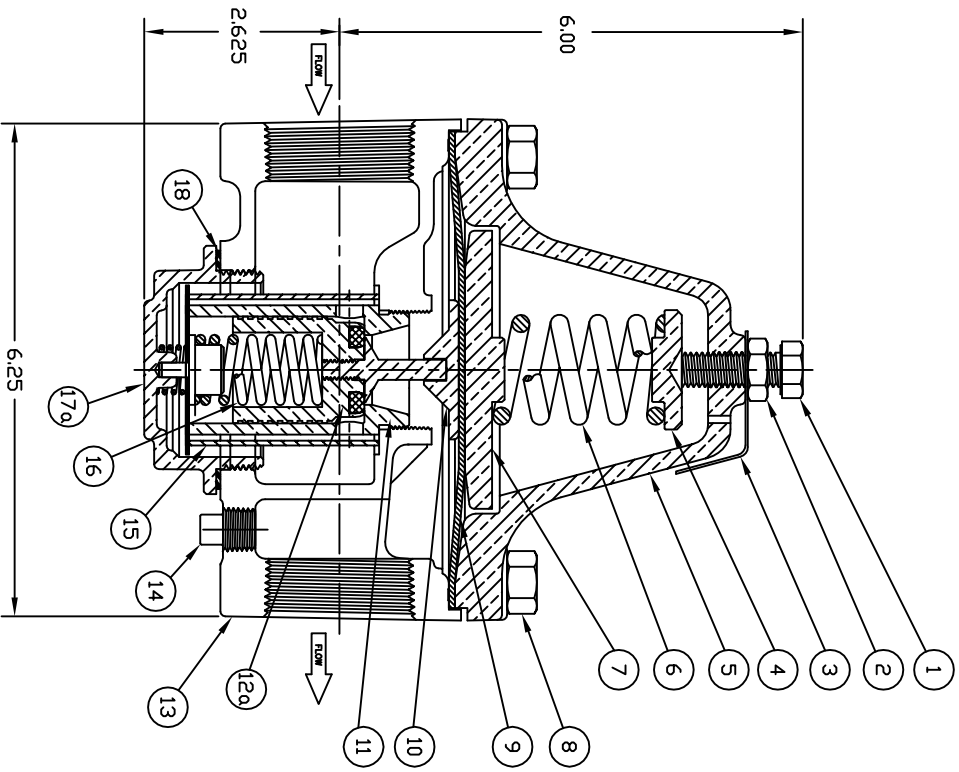


15872



- Note:
1. Dimensions Are Approximate.
 2. See ED3250 For Assembly And Test Specifications.
 3. See ED2895 For Marking Instructions.

(G)

LIST OF MATERIALS

ITEM	QTY	PART NO.	DESCRIPTION	MATERIAL
1	1	06966	Pressure Screw	SST
2	1	01568	Lock Nut	Steel
3	1	10028	Name Plate	Alum.
4	1	08590	Spring Button	Brass
5	1	01800	Pressure Chamber	R-Brass
6	1		Pressure Spring	Steel
7	1	08588	Pressure Plate	Brass
8	6	00894	Assembly Screw	G-Steel
8a	6	00805	Assembly Nut	G-Steel
9	1	01787	Diaphragm	Buna-N
10	1	01788	Pusher Post Button	Y-Brass
11	1	01938	Cylinder	Brass
12	1	15868	Piston Sub-Assembly	Brass
12a	1	15870	Pusher Post	Brass
12b	1	01792	Seat Disc	Buna-N
12c	1	15871	Piston	Brass
13	1	05293	Body	R-Brass
14	1	05770	Pipe Plug	Brass
15	1	20110	Strainer Screen	Monel
16	1	01795	Piston Spring	302 SST
17	1	01956	Bottom Plug Ass.	R-Brass
17a	1	01944	Strainer Screen Washer	Brass
17c	1	01949	Piston Spring Support	Brass
17d	1	01946	Washer Spring	302 SST
18	1	01699	Bottom Plug Gasket	Copper

CATERPILLAR TRACTOR CO.
ASSEMBLY NUMBER IL2073



COMPLETE ASSEMBLY
BRASS-WATER & AIR
7/8 DRIFICE

CASH VALVE, INC.
983 DLD US 70, BLACK MOUNTAIN, NC 28711

INCH DIMENSIONS	EX-1525
BY GAH	REVISED
DATE	03-25-04
SIZE	1 1/2"
TYPE	B
REV	G

REV. DATE	REVISION HISTORY
3-25-04	UPDATE DRAWING ON AUTOCAD.
2-22-08	2010 STRAINER SCREEN WAS 01941. 06966 WAS 15898