

- 2** Type
- AS** without mounting bracket
- ASW** with mounting bracket



Size	F_H in N Holding Capacity	a	b_1	b_2	d_1	d_2	d_3	d_4	$h_1 \approx$	h_2	h_3
80	3000	24	35	29	10	M 6	M 16 x 1,5	5,5	70,5	38,5	19
165	5400	32	60	35	12	M 8	M 20 x 1,5	6,5	110	50	22
340	7000	48	75	47,6	16	M 10	M 24 x 2	8,5	146	70	30

Size	$l_1 \approx$	$l_2 \approx$	$l_3 \approx$	$l_4 \approx$	l_5	m_1	m_2	m_3	s	t	w Stroke
80	71	65	34	22	22	20	12	-	4	12	21
165	112	104	54	39	41	41	13,5	19	5	15	38
340	173	162	85	68	59	55	19	25	5	18	66

Specification

- Steel
Parts in sheet metal
Case-hardened Steel C10
zinc plated, blue passivated finish
- All moving parts lubricated with special grease
- Hand grip
High quality, oil resistant red plastic
- RoHS compliant

Accessory

- Spindle assemblies → Page 765

Information

Push-pull type toggle clamps GN 843.1 can be mounted on a mounting bracket (Type ASW) or directly on the jig via the threaded body with hex nut.

The center bushing securing method allows the operating handle to be turned to the most favorable position.

Toggle clamps GN 843.1 replace series GN 843.

see also...

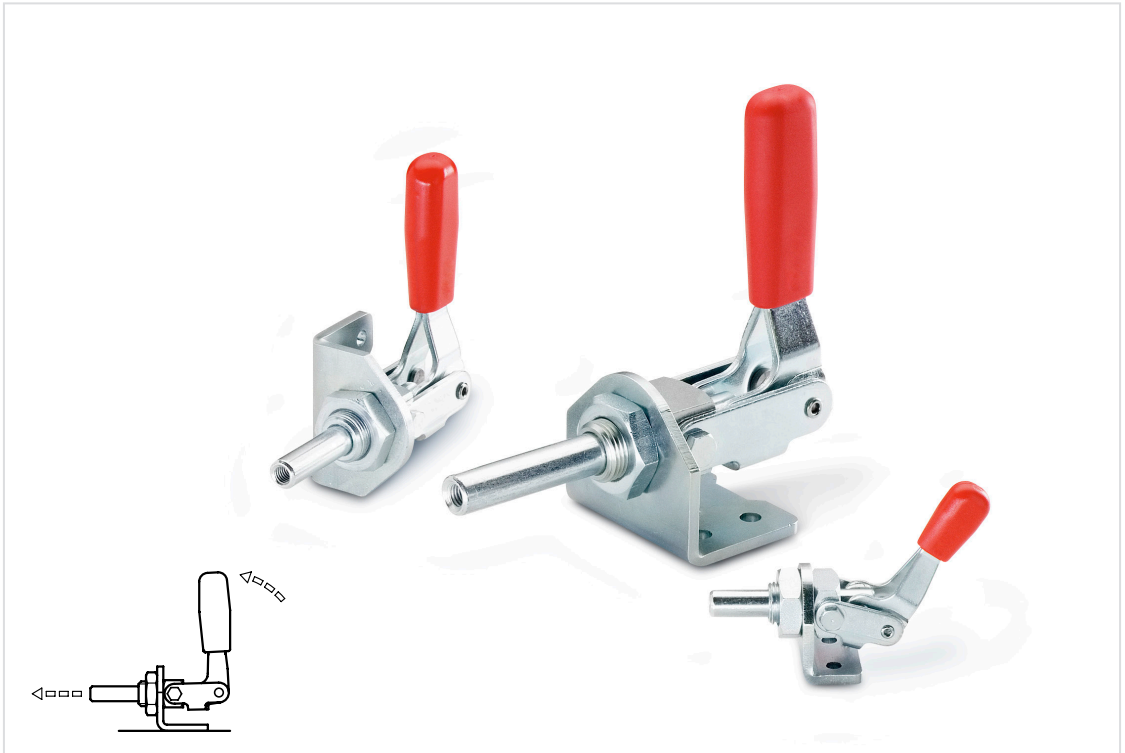
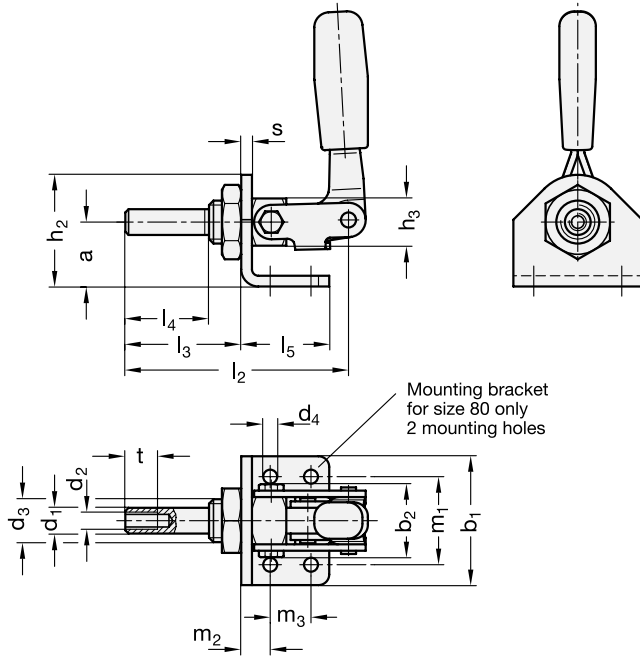
- General information for toggle clamps → Page 766
- Stainless Steel-Push-pull type toggle clamps GN 843.1 → Page 722

How to order

GN843.1-80-ASW

1 Size

2 Type



2.1
2.2
2.3
2.4
2.5
2.6
2.7
2.8
2.9