

Desoutter



Industrial Tools



SLC & SLK

Low-voltage Screwdriver Solutions

- *Complete range of tools*
- *Wide torque range*
- *Highly accurate and reliable*
- *ESD certification*
- *Lightweight and ergonomic*

More Than Productivity



SLC: Maximum productivity for every screw driving task

Complete solution for demanding tasks

- One range of screwdrivers for all your assembly line applications: M2 to M8 screws, from 0.5 to 15 N.m. (4.4 to 133 in.lb)
- Available in all shapes, from in-line to pistol, angle head to fixtured spindle.

High operator comfort

High power to weight ratio
Lightweight & Compact tool
Quiet solution

Outstanding ergonomics

Compact pistol grip solution
Top & front clamping area
Thrust bump and textured grip

High reliability

Coreless motor
For reliability & maintenance free operation

Raise high productivity

High duty cycles capability



ESD certified

Electrostatic discharge component protection for the electronics and appliance assembly industry

Range overview

Torque (N.m)	0	0.5	1	1.5	2	3	4	5	6	6.5	7	8	9	10	11	12	13	14	15	Speed range rpm	Shape
SLC 30 / ESP C LT		Soft joint		Hard joint																400-1200	Straight Pistol Spindle Angle head
SLC 100 / ESP CLT		Soft joint		Hard joint																130-400	Straight Pistol Spindle Angle head
SLC 100 / ESP C			Soft joint		Hard joint															200-600	Straight Pistol Spindle Angle head
			Soft & Hard joint																		Angle head
SLC 150 / ESP C LT		Soft joint		Hard joint																70-220	Straight Pistol Spindle Angle head
SLC 150 / ESP C			Soft joint		Hard joint															100-320	Straight Pistol Spindle Angle head

ESP C: Total and flexible control

OK/NOK
with rehit protection
on NOK

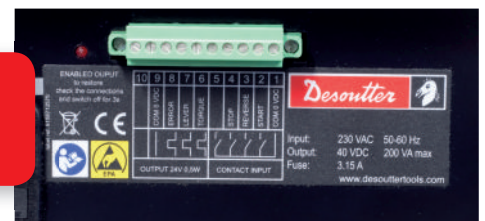
Easy to use
Flexible keypad
Multi languages



Speed control at all
steps of operation:
start, rundown and final
phase

Auto stop after
elapsed time and
auto reverse

I/O for integration
with PLC for multiple
functions



Desoutter ESP C controllers enable you to get the most out of your Desoutter SLC low-voltage screwdriver solution, adjusting the torque and speed for each tightening task. They are easy to program using the soft-touch buttons and backlit display. Torque is set on the controller, giving tamper proof operation. You have the choice of standard (ESP C) and low-torque (ESP C LT) controllers.

SLC - High power screwdrivers

0.5 to 15 Nm (4.4 to 133 in.lb) - 70 to 1200 rpm



PIC REF	MODEL	PART NUMBER	OUTPUT HEX	FREE SPEED	TORQUE RANGE				WEIGHT		CONTROLLER
					Soft	Soft	Hard	Hard	kg	lb	
			in.	rpm	Nm	in.lb	Nm	in.lb			
IN-LINE - LOW VOLTAGE - CURRENT CONTROL - SHUT OFF											
A	SLC030-L1200-C4Q	615 165 500 0	1/4	400-1200	0.5-2.0	4.4-17.7	0.6-3.0	5.3-26.5	0.5	1.1	ESP C(A) LT
A	SLC100-L600-C4Q	615 165 466 0	1/4 1/4	130-400 200-600	0.5-4.0 2.0-8.0	4.4-35.4 17.7-70.8	0.8-6.0 2.0-10	7.1-53.1 17.7-88.5	0.5 0.5	1.1 1.1	ESP C(A) LT ESP C(A)
A	SLC150-L320-C4Q	615 165 467 0	1/4 1/4	70-220 100-320	0.5-6.0 2.0-12.0	4.4-53.1 17.7-106.2	1.5-7.0 2.0-15	13.3-61.9 17.7-132.7	0.5 0.5	1.1 1.1	ESP C(A) LT ESP C(A)
ANGLE HEAD - CURRENT CONTROL - SHUT OFF											
B	SLC030-L1200-C90A4H	615 165 478 0	1/4	400-1200	0.5-2.0	4.4-17.7	0.6-3.0	5.3-26.5	0.7	1.5	ESP C(A) LT
B	SLC100-L600-C90A4H	615 165 479 0	1/4 1/4	130-400 200-600	0.5-4.0 2.0-8.0	4.4-35.4 17.7-70.8	0.8-6.0 2.0-10	7.1-53.1 17.7-88.5	0.7 0.7	1.5 1.5	ESP C(A) LT ESP C(A)
PISTOL GRIP - CURRENT CONTROL - SHUT OFF											
C	SLC030-P1200-C4Q	615 165 488 0	1/4	400-1200	0.5-2.0	4.4-17.7	0.6-3.0	5.3-26.5	0.6	1.3	ESP C(A) LT
C	SLC100-P600-C4Q	615 165 462 0	1/4 1/4	130-400 200-600	0.5-4.0 2.0-8.0	4.4-35.4 17.7-70.8	0.8-6.0 2.0-10	7.1-53.1 17.7-88.5	0.6 0.6	1.3 1.3	ESP C(A) LT ESP C(A)
C	SLC150-P320-C4Q	615 165 463 0	1/4 1/4	70-220 100-320	0.5-6.0 2.0-12.0	4.4-53.1 17.7-106.2	1.5-7.0 2.0-15	13.3-61.9 17.7-132.7	0.6 0.6	1.3 1.3	ESP C(A) LT ESP C(A)
PISTOL GRIP WITH TOP CONNECTOR - CURRENT CONTROL - SHUT OFF											
D	SLC030-T1200-C4Q	615 165 489 0	1/4	400-1200	0.5-2.0	4.4-17.7	0.6-3.0	5.3-26.5	0.6	1.3	ESP C(A) LT
D	SLC100-T600-C4Q	615 165 464 0	1/4 1/4	130-400 200-600	0.5-4.0 2.0-8.0	4.4-35.4 17.7-70.8	0.8-6.0 2.0-10	7.1-53.1 17.7-88.5	0.6 0.6	1.3 1.3	ESP C(A) LT ESP C(A)
D	SLC150-T320-C4Q	615 165 465 0	1/4 1/4	70-220 100-320	0.5-6.0 2.0-12.0	4.4-53.1 17.7-106.2	1.5-7.0 2.0-15	13.3-61.9 17.7-132.7	0.6 0.6	1.3 1.3	ESP C(A) LT ESP C(A)

SLC - Automation - Remote start



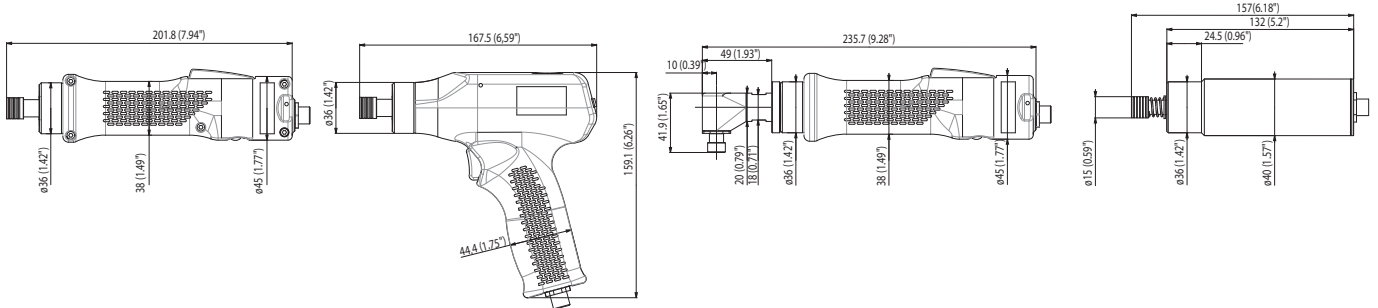
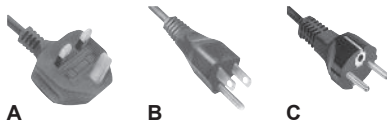
PIC REF	MODEL	PART NUMBER	OUTPUT HEX	FREE SPEED	TORQUE RANGE				WEIGHT		CONTROLLER
					Soft	Soft	Hard	Hard	kg	lb	
			in.	rpm	Nm	in.lb	Nm	in.lb			
AUTOMATION - REMOTE START											
E	SLC030-F1200-C4Q	615 165 490 0	1/4	400-1200	0.5-2.0	4.4-17.7	0.6-3.0	5.3-26.5	0.5	1.1	ESP C(A) LT
E	SLC100-F600-C4Q	615 165 468 0	1/4 1/4	130-400 200-600	0.5-4.0 2.0-8.0	4.4-35.4 17.7-70.8	0.8-6.0 2.0-10	7.1-53.1 17.7-88.5	0.5 0.5	1.1 1.1	ESP C(A) LT ESP C(A)
E	SLC150-F320-C4Q	615 165 469 0	1/4 1/4	70-220 100-320	0.5-6.0 2.0-12.0	4.4-53.1 17.7-106.2	1.5-7.0 2.0-15	13.3-61.9 17.7-132.7	0.5 0.5	1.1 1.1	ESP C(A) LT ESP C(A)

ESPC - Specifications

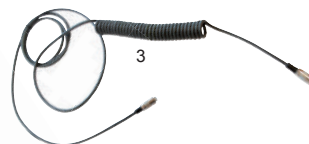
MODEL	PART NUMBER	TORQUE RANGE		SUPPLY VOLTAGE	DIMENSIONS						WEIGHT	
		Nm	In.lb		WIDTH		HEIGHT		DEPTH		kg	lb.
ESP C 220 V	6151654100	0.5-15	4.4-132.7	AC 230 50Hz	195	7.68	89	3.5	154	6.0	3.4	7.4
ESP C 110 V	6151654840	0.5-15	4.4-132.7	AC120 60Hz	195	7.68	89	3.5	154	6.0	3.4	7.4
ESP C LT 220 V	6151654810	0.5-7.0	4.4-61.9	AC230 50Hz	195	7.68	89	3.5	154	6.0	3.4	7.4
ESP C LT 110 V	6151654850	0.5-7.0	4.4-61.9	AC120 60Hz	195	7.68	89	3.5	154	6.0	3.4	7.4

START-UP KIT to be ordered with the controller
Including: Power cable and plug.

PLUG	PART NO.	
A UK	615 917 202 0	
B USA	615 917 203 0	
C European	615 917 201 0	



Accessories



ACCESSORIES INCLUDED

	PART NO.
• Suspension bail	615 360 222 0
• Tool / Controller cable L=2.5m (98.4")	615 360 223 0

OPTIONAL ACCESSORIES

ITEM	PART NO.
1 Side handle	615 397 016 0
2 Color ring	615 397 008 5
• Cable extension L = 2m (78.7")	615 917 593 0
3 Spiral Cable L = 2m (78.7")	615 917 594 0
• M20 adapter	615 567 132 0
4 Tool holster DTH-42	107892

Please refer to our accessories catalog

www.desouttertools.com/catalogs



SLK: High value, simple solution

Flexible

- Integrated ring for quick installation of vertical suspension bail.
- Tool-free torque adjustment.
- Reverse action switch with stop position.

Productive

- Ventilation slots for cool operation.
- Linear torque adjustment with external chuck.

Easy to maintain

- Simple maintenance thanks to quick brush replacement.
- Spare brushes included.



Comfortable

- Long, rounded trigger with easy access for operator's hand.
- Soft rubber grip provides non-slip operation.
- Flared shape and conical cross section give superior hand comfort during operation.
- Finger stop reduces risk of hand slip off and allows the operator to quickly position hand on the tool and remain focused on the application.



**ESD
certified**



Adapted to electronics and appliance assembly, SLK Series* low-voltage screwdrivers are ESD certified to ensure protection of electronic components.

* from SLK003 to SLK015

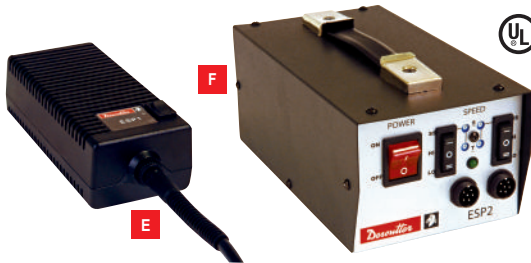
SLK - Low Voltage screwdrivers

0.02 to 4.7 Nm (0.18 to 41.60 in.lb) - 530 to 1000 rpm



Power controller

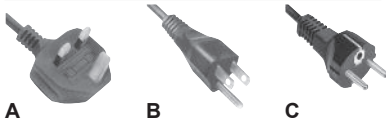
PIC REF.	PART NUMBER	MODEL	DESIGNATION	DIMENSIONS mm (in.)	WEIGHT kg (lb.)
E	615 932 635 0	ESP1	1 screwdriver - Input 100-240V	160x75x55 (6.3x2.95x2.17)	0.5 (1.1)
F	615 932 636 0	ESP2	2 screwdrivers - Input 100-240V	210x118x85 (8.27x4.65x3.35)	2.5 (5.5)



START-UP KIT to be ordered with the controller

Including: Power cable and plug.

PLUG	PART NO.
A UK	615 917 202 0
B USA	615 917 203 0
C European	615 917 201 0



ACCESSORIES INCLUDED

	PART NO.
• Cable, 1.83m (6ft) long	615 360 001 0

OPTIONAL ACCESSORIES

	PART NO.
1 Side handle	615 396 861 0
2 Torque fixing ring	
For SLK022/SLK031/SLK047	615 225 090 0
For SLK011/SLK015	615 225 054 0
For SLK003/SLK007/SLK010	615 225 053 0
• Kit of 3 color fixing ring	615 225 091 0
For SLK022/SLK031/SLK047	
• Cable, L = 2.74m (9ft) long	615 360 217 0
3 Slow-start control module - SSCM1	615 932 644 0
(not available for the North American and Canada market)	

Recommended duty cycle, maximum 15 screws per minute

PIC REF.	MODEL	PART NUMBER	FREE SPEED		OUTPUT HEX. in.	TORQUE RANGE HARD SOFT		LENGTH		WEIGHT		VOLTAGE VDC	CONTROLLER
			Hi rpm	Lo rpm		Nm	in.lb	mm	in.	kg	lb		

PUSH START - LOW VOLTAGE - CLUTCH CONTROL - SHUT OFF

D	SLK011A-1000-S4Q	615 165 257 0	1000	700	1/4	0.10-1.18	0.88-10.4	218	8.6	0.48	1.06	24 or 32	ESP
D	SLK015A-1000-S4Q	615 165 258 0	1000	700	1/4	0.29-1.57	2.57-13.9	218	8.6	0.48	1.06	24 or 32	ESP
A	SLK022A-1000-S4Q	615 165 473 0	1000	700	1/4	0.60-2.25	5.31-19.9	275	10.8	0.69	1.52	24 or 32	ESP
A	SLK031A-750-S4Q	615 165 474 0	750	500	1/4	1.00-3.14	8.85-27.8	275	10.8	0.69	1.52	24 or 32	ESP
A	SLK047A-530-S4Q	615 165 475 0	530	350	1/4	1.50-4.70	13.28-41.6	275	10.8	0.69	1.52	24 or 32	ESP

LEVER START - LOW VOLTAGE - CLUTCH CONTROL - SHUT OFF

	SLK003L-1000-S4Q	615 165 252 0	1000	700	1/4	0.02-0.34	0.18-3.01	224	8.82	0.27	0.59	24 or 32	ESP
	SLK007L-1000-S4Q	615 165 253 0	1000	700	1/4	0.05-0.69	0.44-6.11	224	8.82	0.27	0.59	24 or 32	ESP
	SLK010L-670-S4Q	615 165 254 0	670	470	1/4	0.10-0.98	0.88-8.67	224	8.82	0.27	0.59	24 or 32	ESP
C	SLK011L-1000-S4Q	615 165 255 0	1000	700	1/4	0.10-1.18	0.88-10.4	239	9.41	0.48	1.06	24 or 32	ESP
C	SLK015L-1000-S4Q	615 165 256 0	1000	700	1/4	0.29-1.57	2.57-13.9	239	9.41	0.48	1.06	24 or 32	ESP
B	SLK022L-1000-S4Q	615 165 470 0	1000	700	1/4	0.60-2.25	5.31-19.9	275	10.8	0.70	1.55	24 or 32	ESP
B	SLK031L-750-S4Q	615 165 471 0	750	500	1/4	1.00-3.14	8.85-27.8	275	10.8	0.70	1.55	24 or 32	ESP
B	SLK047L-530-S4Q	615 165 472 0	530	350	1/4	1.50-4.70	13.28-41.6	275	10.8	0.70	1.55	24 or 32	ESP

More Than Productivity



www.desouttertools.com

English 615 993 684 1
© Copyright 2009
Printed in France, January 2009, Issue 1