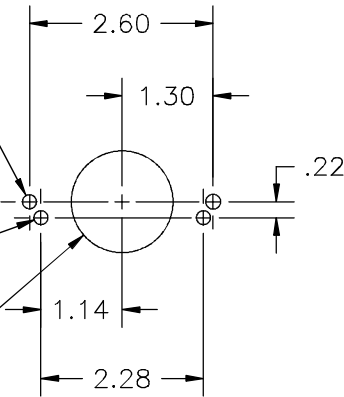


.21 DIA THRU RECOMMENDED MOUNTING HOLE - 2 PL

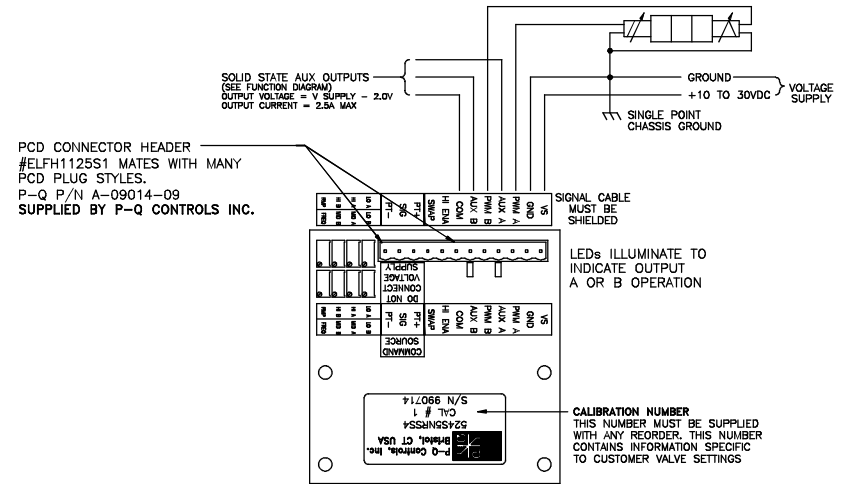
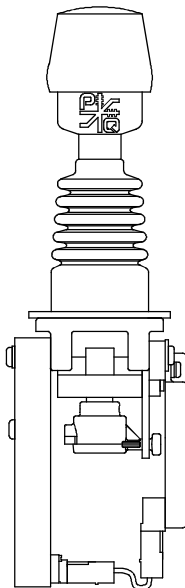
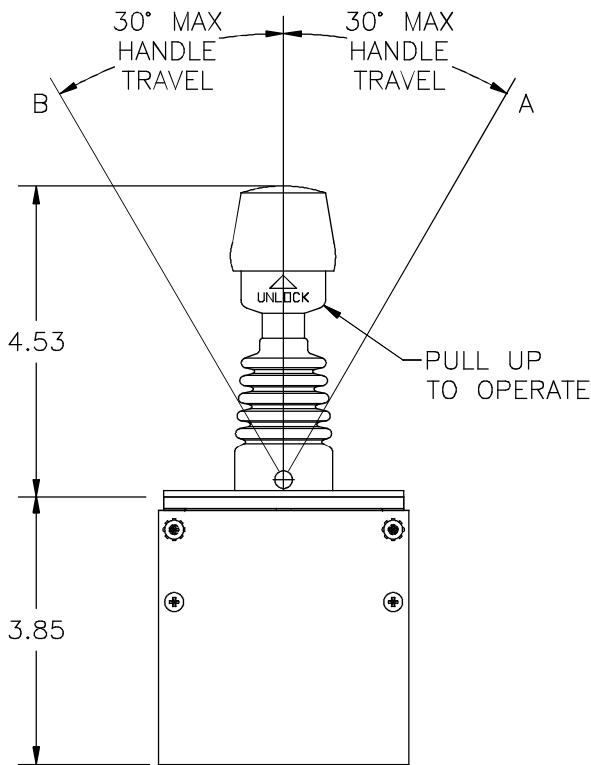
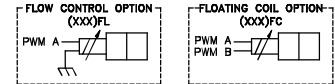
.21 DIA THRU OPTIONAL MOUNTING HOLE - 2 PL

1.44 DIA THRU



PANEL CUTOUT

REV.	DESCRIPTION	DATE
A	ADDED: FLOW CONTROL AND FLOATING COIL OPTIONS	05-14-13
B	1) CHANGED TO GENERIC DWG ECR #2252 2) ADDED: COMMAND SOURCE DECALS TO VDB ECR #2317	10-24-13



- NOTES: 1) "XXX" ON THE P/N WILL BE DETERMINED BY THE VALVE DRIVE BOARD SERIES.  
 2) OPTION 58 ELECTRONICS (5VDC, 30% SIGNAL SWING).  
 3) VOLTAGE SUPPLY TO VALVE DRIVE BOARD IS TO BE 10-30VDC.  
 4) CONTROL HANDLE HAS FRICTION DRAG.  
 5) SLIDE LOCK IS SPRUNG TO LOCKED POSITION.  
 6) UNIT IS CALIBRATED FROM FACTORY FOR CUSTOMER VALVE SETTINGS. REMOVE SENTRY SEAL TO MAKE FINE TUNE ADJUSTMENTS. TURNING TRIMPOT ADJUSTMENT SCREWS CLOCK-WISE INCREASES FUNCTION.  
 7) TRIMPOT ADJUSTMENT SCREWS SHOULD BE SEALED WITH SENTRY SEAL OR EQUIVALENT FOLLOWING FINAL ADJUSTMENT ON THE MACHINE.  
 8) AUX A, AUX B & COM AUX OUTPUTS SWITCH ON V SUPPLY SIMULTANEOUS WITH PROPORTIONAL OUTPUT. CURRENT IS LIMITED TO 2.5 AMPS (504/514) OR 800 MILLIAMPS (524/534).

NO	REV	DATE	BY	CHKD	APP'D
1					

<p><b>WARNING:</b> P-Q Controls, Inc. products are intended as general purpose switches. They are NOT safety devices and as with any general purpose devices, malfunctions may occur. If P-Q products are used to initiate an operation where false operation could be dangerous, POINT-OF-OPERATION GUARDING DEVICES must be installed and maintained to meet all appropriate OSHA and ANSI machine safety standards. P-Q Controls, Inc. shall not accept responsibility for installation, application or safety of systems.</p>		<b>P-Q Controls, Inc.</b> 95 Dolphin Rd. Bristol, CT 06010 PHONE: (860) 583-6994 FAX: (860) 583-6011		DWG. NO. B-13502	REV. B
		SHEET 1 OF 1		SCALE 1:2	
<b>M115SL15F58-(XXX) INSTALL DWG</b> <b>M115 HALL EFFECT W/504/514/524/534 VDB</b>					
DRAFTSMAN CAM	CHECK	PROJECT ENGINEER	DATE 08-18-08		