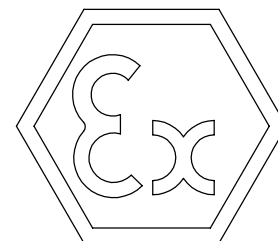
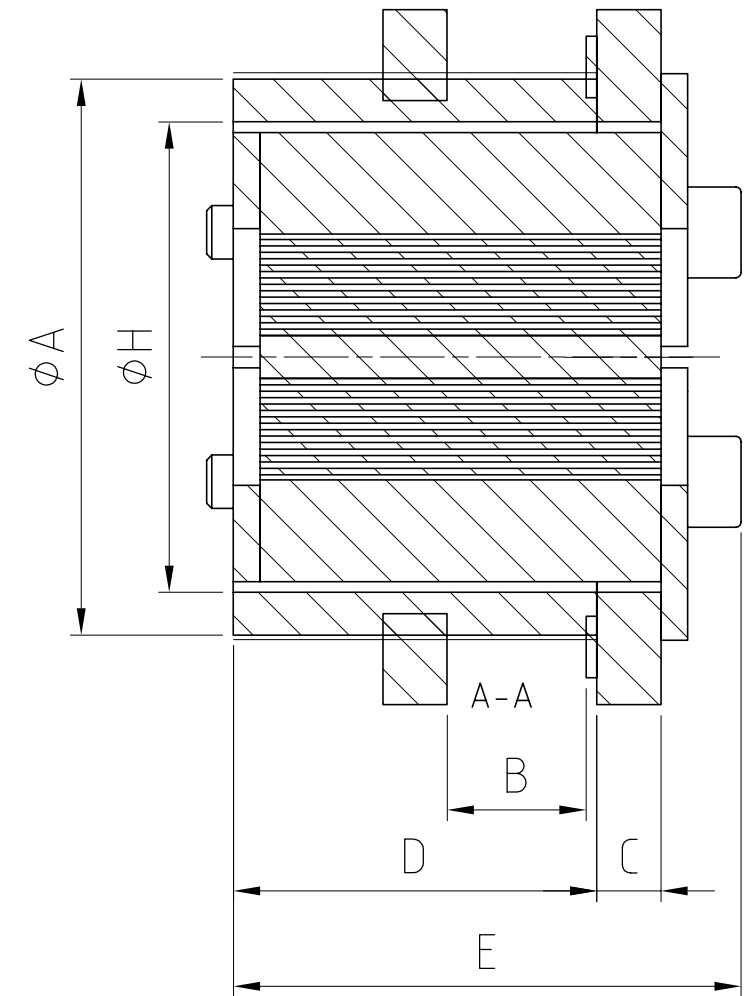
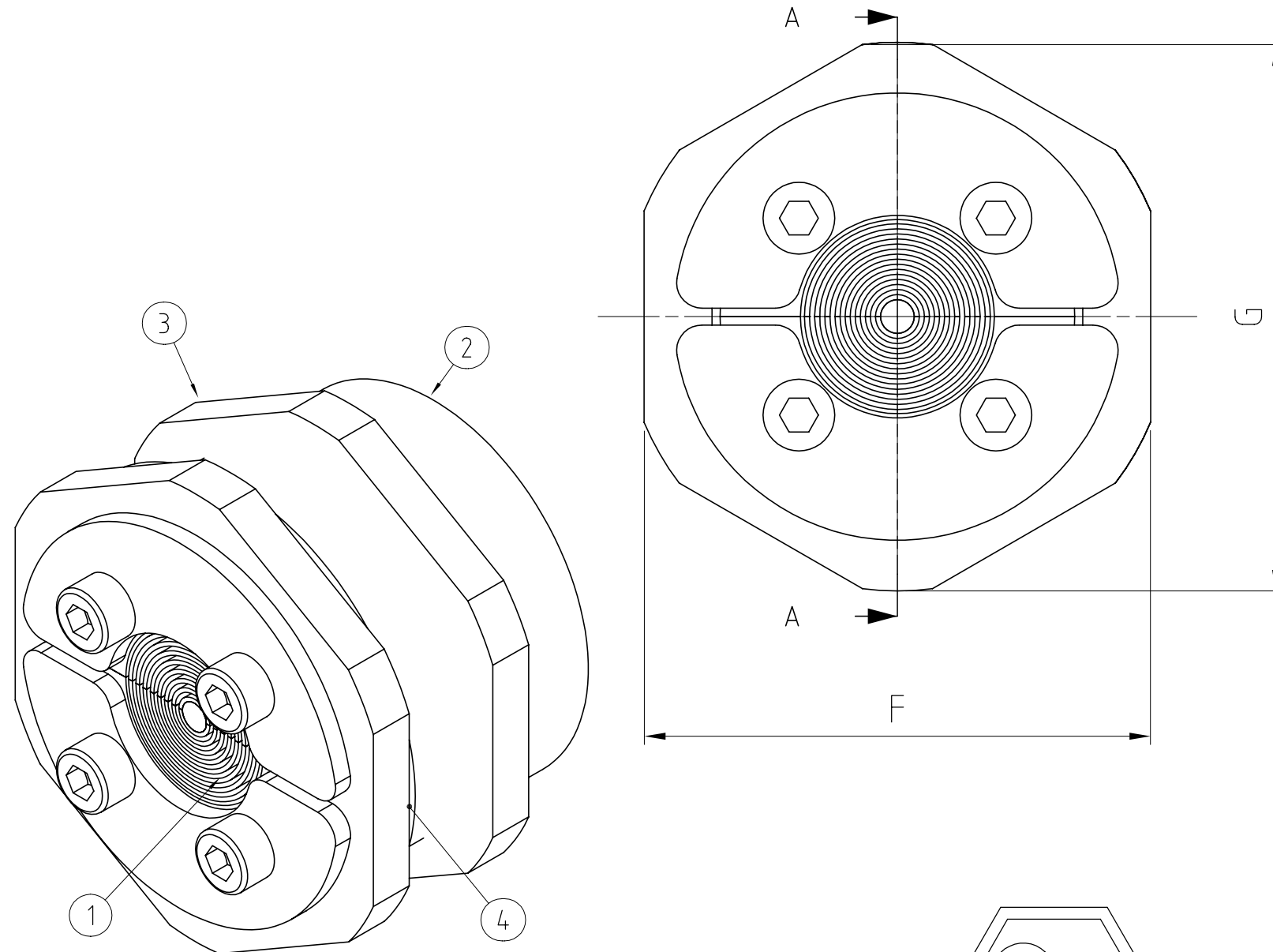


TYPE	C R S T 25	C R S T 31	C R S T 43	C R S T 50
DIMENSIONS	mm / "	mm / "	mm / "	mm / "
CABLE DIAMETER	0+3.6-12 / 0+0.142-0.472	0+4-17 / 0+0.175-0.669	0+4-23 / 0+0.157-0.906	0+8-30 / 0+0.315-1.181
THREAD	M32x1.5	M40x1.5	M50x1.5	M63x1.5
REC HOLECUT	32 / 1.260	40 / 1.575	50 / 1.969	63 / 2.480
A	32 / 1.260	40 / 1.575	50 / 1.969	63 / 2.480
B	1-10 / 0.039-0.394	1-8 / 0.039-0.315	1-28 / 0.039-1.102	1-26 / 0.039-1.024
C	4 / 0.157	5 / 0.197	5 / 0.197	6 / 0.236
D	16 / 0.630	15 / 0.590	35 / 1.378	34 / 1.338
E	25 / 0.984	25 / 0.984	48 / 1.890	48 / 1.890
F	36 / 1.417	46 / 1.811	60 / 2.362	70 / 2.756
G	39 / 1.535	50 / 1.968	65 / 2.559	78 / 3.071
H	25 / 0.984	31 / 1.220	43 / 1.693	50 / 1.969

MATERIAL - BRASS
SURFACE TREATMENT - NICKEL PLATED
MATERIAL - STAINLESS STEEL

We reserve all rights in this document and in the information contained therein. Reproduction, use or disclosure to third parties without express authority is strictly forbidden. ROXTEC INTERNATIONAL AB



Rev	Type of revision	Date	Sign
-	-	2008-09-10	

4	1	GASKET	EPDM T=1mm		
3	1	NUT			
2	1	SLEEVE	INNER DIAMETER IN TABLE		
1	1	C R S SEAL	CABLE/PIPE RANGE IN TABLE		
Item	Qty	Designation	Specification		NetWeight
ROXTEC INTERNATIONAL AB BOX 540 S-371 23 Karliskrona TEL: +46 455 366700 FAX: +46 455 82012		Designed by M PRZYBYLA Checked by J AKESSON Approved by J AKESSON	Date 2009-03-06 Format A3 Scale	General tolerance EN ISO 7061-1:2004 Welded details EN ISO 5817-B General surface roughness, Ra 12.5 EN ISO 10042-B	-
		Title C R S T EX ASSEMBLY		Projection method 	Rev -
Restricted due to INFORMATION DRAWING				Drawing number S1016547	