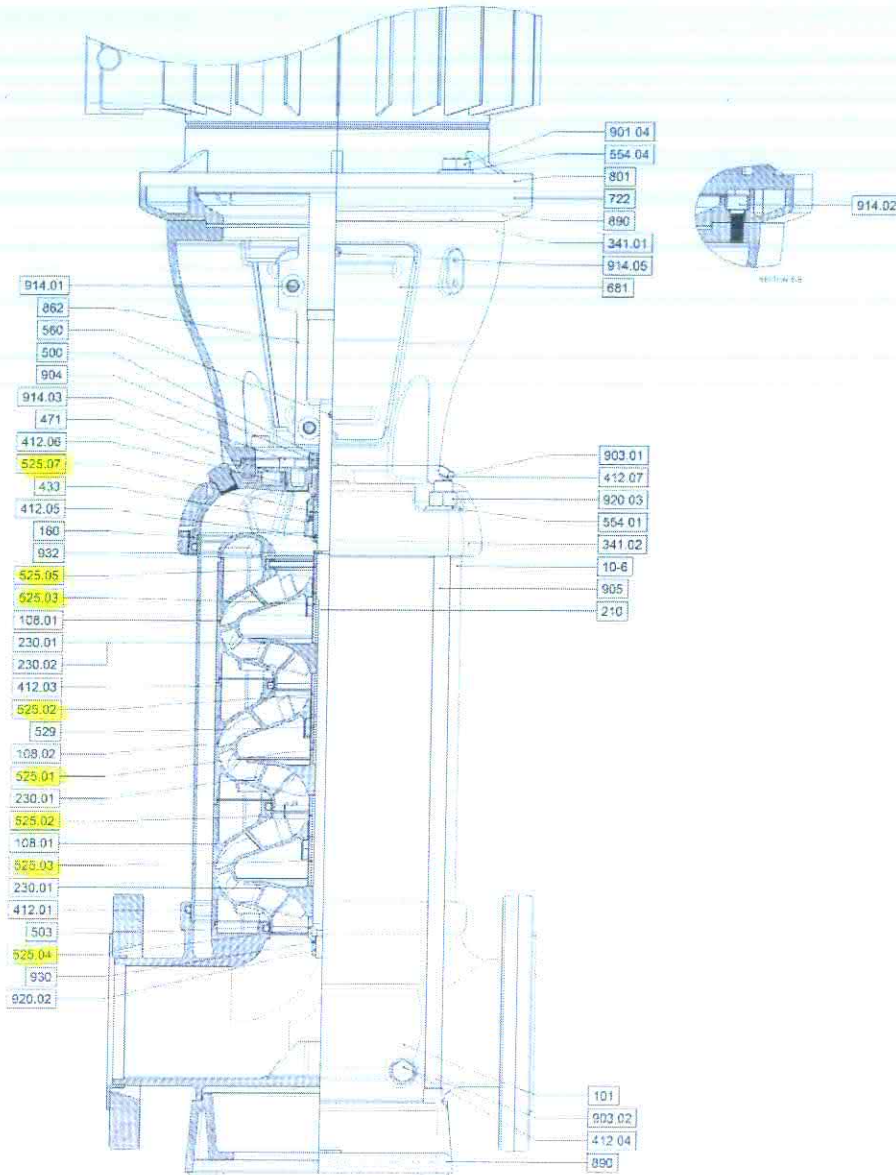


11.4 Sectional drawing



Part-No.	Description
10-6	Pump shroud
101	Pump casing
108.01	Stage casing
108.02	Stage casing
160	Cover
230.01	Impeller
230.02	Impeller
341.01	Motor stool
341.02	Motor stool
412.01	O-ring
412.03	O-ring
412.04	O-ring
412.05	O-ring
412.06	O-ring
412.07	O-ring
433	Mechanical seal
471	Seal cover
500	Ring
503	Impeller wear ring
525.01	Spacer sleeve
525.02	Spacer sleeve
525.03	Spacer sleeve
525.04	Spacer sleeve
525.05	Spacer sleeve
525.07	Spacer sleeve
529	Bearing sleeve
554.01	Washer
554.04	Washer
560	Pin
681	Coupling guard
722	Taper piece, flanged
801	Flanged motor
862	Coupling
890	Baseplate
901.04	Hex. head bolt
903.01	Vent plug
903	Screwed plug
904	Grub screw
905	Tie bolt
914.01	Hex. socket head cap screw
914.02	Hex. socket head cap screw
914.03	Hex. socket head cap screw
914.05	Hex. socket head cap screw
920.02	Nut
920.03	Nut
930	Safety device
932	Circlip

