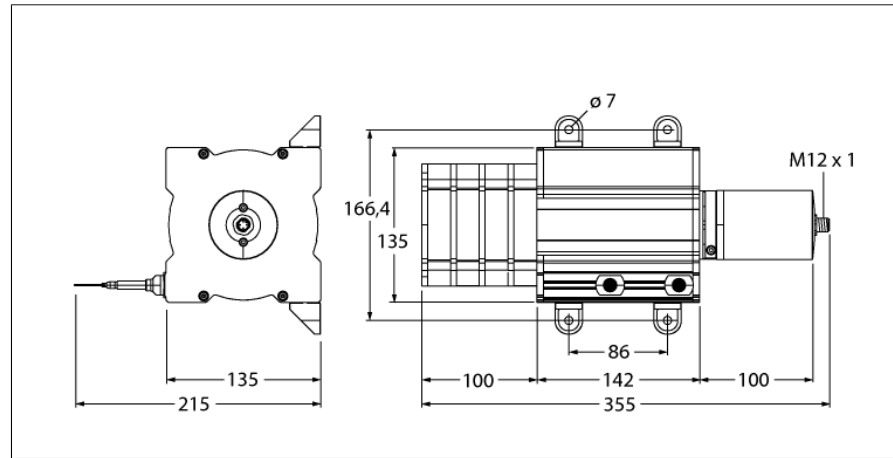


**Draw-Wire
DW40000-135-7E-H1141**



- Measuring range up to 40000mm
- M12 connector
- Protection class: IP65
- Analog output, 4...20 mA
- Supply voltage 12...30 VDC

1	U _B	+
2	n.c.	
3	analog out	
4	n.c.	

Type code	DW40000-135-7E-H1141
Ident no.	1544603
Measuring range [A...B]	40000mm
Linearity deviation	≤ 0.1 %
Ambient temperature	-20...+60 °C
Operating voltage	12...30VDC
DC rated operational current	≤ 50 mA
Short-circuit protection	yes
Output function	2-wire, analog output
Current output	4...20mA
Housing material	aluminium, titanium anodized
min. extension force	7 N
max. extension force	14.1 N
max. extension speed	5 m/s
max. extension speed	60 m/s ²
wire material	Stainless steel
Connection	male, M12 x 1
Protection class	IP65

Draw-Wire
DW40000-135-7E-H1141

Pin configuration

Signal	+U_s	-	Analog out	-	-	-	-	-	-
Pin configura- tion	1	2	3	4	-	-	-	-	-

Draw-Wire
DW40000-135-7E-H1141

TURCK

Industrial
Automation

Accessories

Type code	Ident no.	Description	Dimension drawing
RDR-1	1544753	Deflection roller for aluminium draw-wire sensors	