
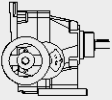
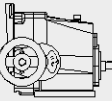
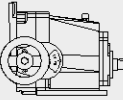


DATI TECNICI / TECHNICAL DATA

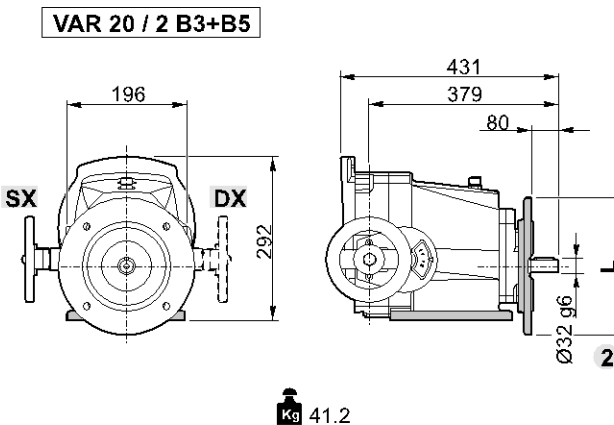
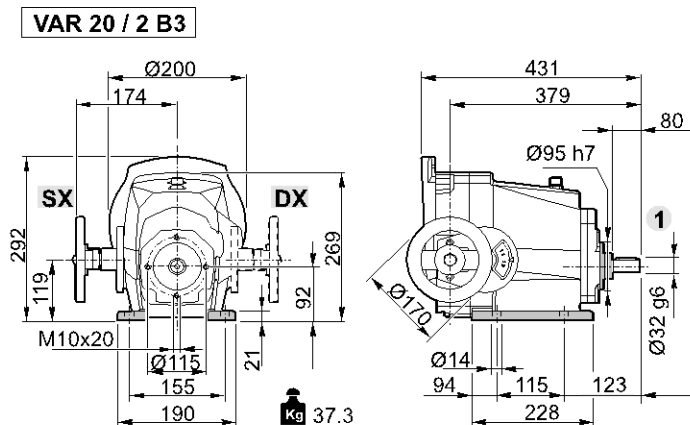
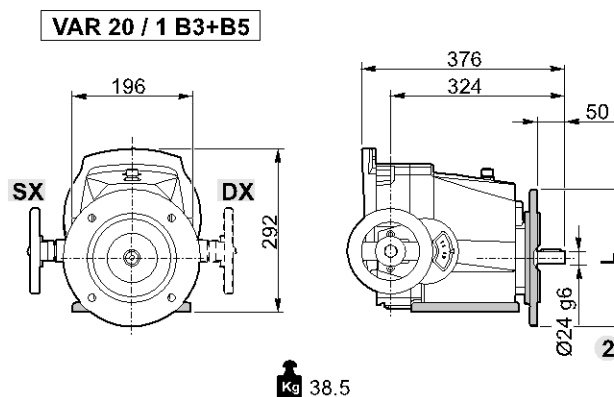
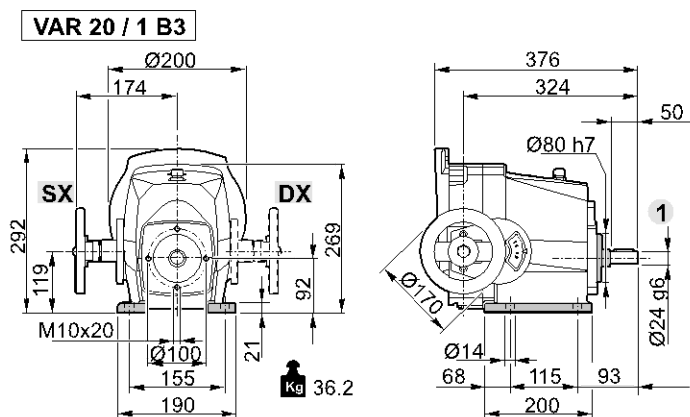
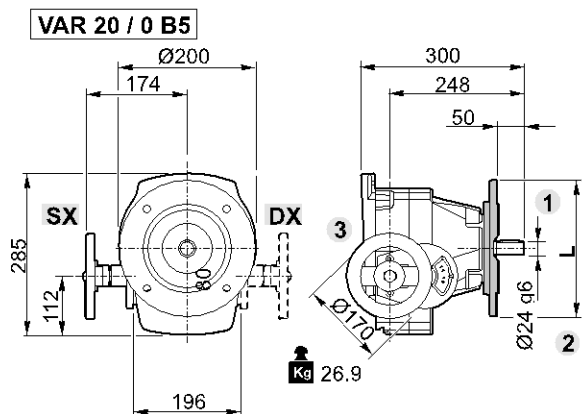
VAR 20 / ...											
				n _{2MIN} min ⁻¹	n _{2LIM} min ⁻¹	n _{2MAX} min ⁻¹	M _{2MAX} Nm	M _{2LIM} Nm	M _{2MIN} Nm	F _{R2} N	DESIGNAZIONE 1) DESIGNATION
	P ₁ kW	n ₁ min ⁻¹	n° poli n° poles								
 VAR 20/0	0.75	900	6	225	576	1125	13.81	13.81	5.88	1065	VAR200-350:1750-075-6
	1.10	900	6	225	845	1125	13.81	13.81	8.63	930	VAR200-350:1750-110-6
	1.10	1400	4	350	965	1750	12.10	12.10	5.55	900	VAR200-350:1750-110-4
	1.50	1400	4	350	1316	1750	12.10	12.10	7.57	795	VAR200-350:1750-150-4
	1.50	2800	2	700	1620	3500	9.80	9.80	3.78	750	VAR200-350:1750-150-2
	2.20	2800	2	700	2376	3500	9.80	9.80	5.55	660	VAR200-350:1750-220-2
 VAR 20/1	0.75	900	6	25	67	125	118.11	118.11	50.35	2286	VAR201-40:200-075-6
	1.10	900	6	25	98	125	118.11	118.11	73.84	1935	VAR201-40:200-110-6
	1.10	1400	4	40	112	200	103.45	103.45	47.47	1890	VAR201-40:200-110-4
	1.50	1400	4	40	153	200	103.45	103.45	64.73	1650	VAR201-40:200-150-4
	1.50	2800	2	80	189	400	84.00	84.00	32.36	1617	VAR201-40:200-150-2
	2.20	2800	2	80	278	400	84.00	84.00	47.47	1365	VAR201-40:200-220-2
	0.75	900	6	48	121	240	65.35	65.35	27.85	2031	VAR201-75:375-075-6
	1.10	900	6	48	178	240	65.35	65.35	40.85	1740	VAR201-75:375-110-6
	1.10	1400	4	75	204	375	57.23	57.23	26.26	1695	VAR201-75:375-110-4
	1.50	1400	4	75	278	375	57.23	57.23	35.81	1485	VAR201-75:375-150-4
	1.50	2800	2	150	342	750	46.50	46.50	17.91	1425	VAR201-75:375-150-2
	2.20	2800	2	150	502	750	46.50	46.50	26.26	1224	VAR201-75:375-220-2
	0.75	900	6	70	174	350	45.56	45.56	19.42	1840	VAR201-110:550-075-6
	1.10	900	6	70	256	350	45.56	45.56	28.48	1585	VAR201-110:550-110-6
	1.10	1400	4	110	292	550	39.90	39.90	18.31	1540	VAR201-110:550-110-4
	1.50	1400	4	110	399	550	39.90	39.90	25.00	1362	VAR201-110:550-150-4
	1.50	2800	2	220	491	1100	32.41	32.41	12.50	1302	VAR201-110:550-150-2
	2.20	2800	2	220	589	1100	32.41	32.41	18.31	1220	VAR201-110:550-220-2
 VAR 20/2	0.75	900	6	10	25	50	309.25	309.25	131.81	4131	VAR202-16:80-075-6
	1.10	900	4	10	37	50	309.25	309.25	193.32	3345	VAR202-16:80-110-6
	1.10	1400	4	16	43	80	270.86	270.86	124.28	3360	VAR202-16:80-110-4
	1.50	1400	4	16	58	80	270.86	270.86	169.47	2850	VAR202-16:80-150-4
	1.50	2800	2	32	72	160	220.00	220.00	84.74	2880	VAR202-16:80-150-2
	2.20	2800	2	32	106	160	220.00	220.00	124.28	2340	VAR202-16:80-220-2
	0.75	900	6	20	49	100	162.35	162.35	69.20	3918	VAR202-30:150-075-6
	1.10	900	6	20	71	100	162.35	162.35	101.50	3330	VAR202-30:150-110-6
	1.10	1400	4	30	82	150	142.20	142.20	65.25	3276	VAR202-30:150-110-4
	1.50	1400	4	30	111	150	142.20	142.20	89.00	2860	VAR202-30:150-150-4
	1.50	2800	2	60	137	300	115.50	115.50	44.50	2793	VAR202-30:150-150-2
	2.20	2800	2	60	202	300	115.50	115.50	65.25	2340	VAR202-30:150-220-2

1) ESEMPIO DI DESIGNAZIONE COMPLETO / COMPLETE EXAMPLE OF DESIGNATION

6

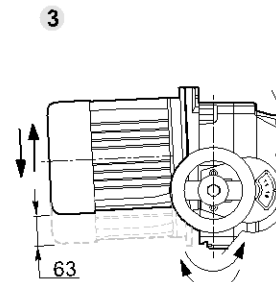
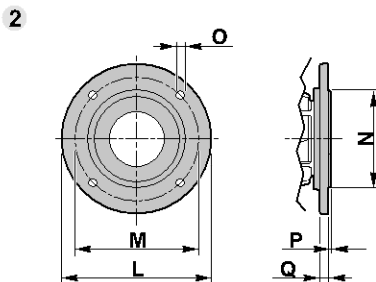
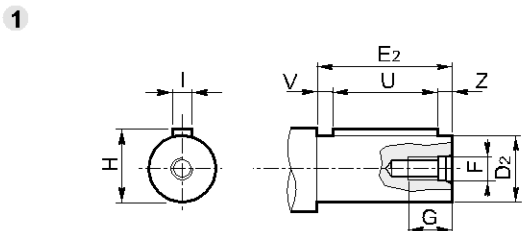
VAR 20 0 - B5 - 24 - 200 - 350 : 1750 - 110 - 4 - IEC 90B5

DIMENSIONI / DIMENSIONS



ALBERO USCITA / OUTPUT SHAFT

FLANGIA USCITA / OUTPUT FLANGE



VAR	TIPO TYPE	D ₂ h6	E ₂	F	G	H	I	U	V	Z
20/0	B5	24	50	M8	18	27	8	40	5	5
		28	60	M8	18	31	8	40	10	10
20/1	B3+B5 B3	24	50	M8	18	27	8	40	5	5
		28	60	M8	18	31	8	50	5	5
20/2	B3+B5 B3	32	80	M12	22	35	10	60	10	10

VAR	TIPO TYPE	L	M	N h8	O	P	Q
20/0	B5	160	130	110	11	3.5	11
20/1	B3+B5	200	165	130	13	3.5	11
		250	215	180	14	4	13
20/2	B3+B5	200	165	130	13	3.5	11
		250	215	180	14	4	13

Arichiesta / On request