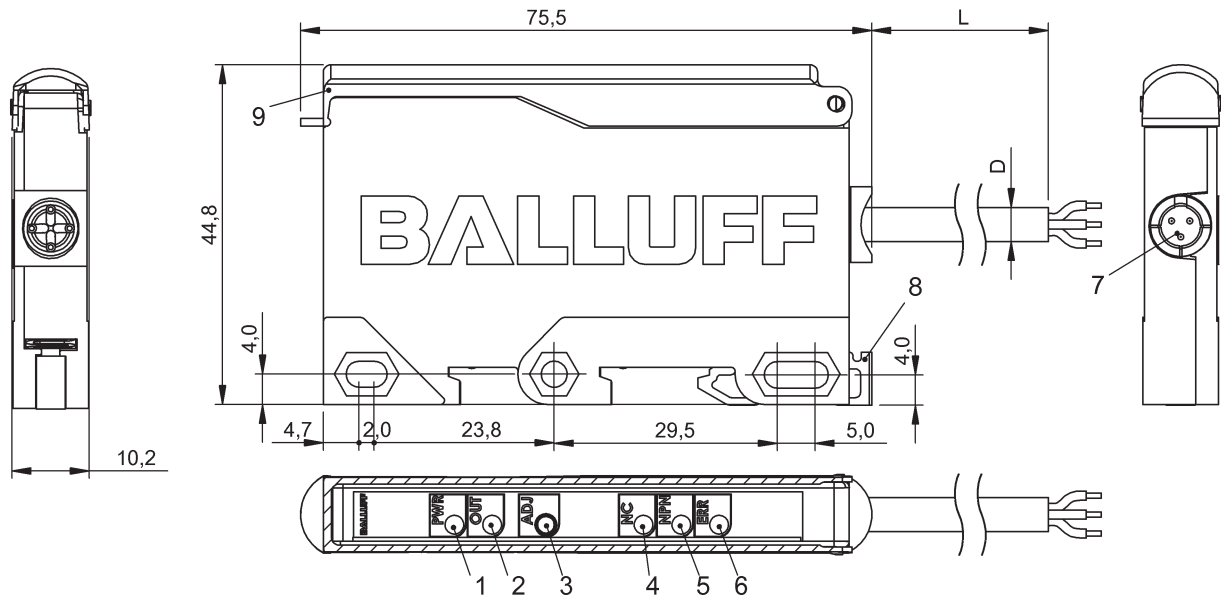


Signal amplifier

BAE SA-CS-025-YP-BP02
Order code: **BAE00KH**

BALLUFF
sensors worldwide



1) LED Power 2) LED function indicator 3) Sn 4) LED NC function active 5) LED Switch. step NPN active 6) LED Error 7) Plug connection sensor 8) Top hat rail mounting 35 mm 9) Damper

- Signal amplifier
- For BCS w/out switch.power amp
- BCS-Types BCS-XXS...-
- PBT



General attributes

Adjuster
Application
Approvals / Conformity

Basic standard
Enclosure Type per IEC 60529
Function indicator
Indicator

Trimmer potentiometer
BCS-Types BCS-XXS...-
CE
cULus
IEC 60947-5-2
IP40
Yes
Output function - LED YE
Power - LED GN
NC active LED OR
Status NPN active - LED OR
Error LED RD
Yes
Yes
Sensitivity (Sn)
Yes
For BCS w/out switch.power amp
405 a

Mechanical attributes

Ambient temperature Ta max. 70 °C
Ambient temperature Ta min. -10 °C
Cable diameter D 4.5 mm
Cable jacket material PUR
Cable length 2.00 m
Conductor cross-section 0.25 mm²
Cover material PBT
Front panel material PA
Housing material PBT
Length 1 10.5 mm
Length 2 75.5 mm
Length 3 45.0 mm
Mounting type Screw M3
DIN EN-50022 rail 35 mm
DIN EN 50045 rail 15 mm

Number of conductors 4
Protective flap material PA
Storage temperature max. +85 °C
Storage temperature min. -25 °C

Polarity reversal protected
Power indicator
Setting
Short circuit protected
Short description
MTTF

Electrical attributes

Connection of sensor
Connection type
Eff. operating current Ie
Eff. operating voltage Ue DC
Electrical version
Operating voltage UB max. DC [V]
Operating voltage UB min. DC [V]
Switching freq. f max. (at Ue)
Switching function
Switching output
Voltage drop Ud max. (at Ie)

Special connector 3-pole
Cable
50 mA
24.0 V
DC, direct current
30.0 V
12.0 V
100 Hz
NO/NC programmable
PNP/NPN programmable
2.0 V

Remarks

Please pay attention to an EMC-compatible cable laying. All measured and standard values specified in the technical data sheet refer to the 2 m connecting cable. max. load current: 50 mA with UL approval, > 50 to 100mA possible,

but without UL approval

For further information on MTTF/B10d, please refer to the MTTF / B10d Certificate.

Specification of the MTTF value and the B10d value do not represent any binding quality and/or life expectancy guarantees.

Signal amplifier

BAE SA-CS-025-YP-BP02
Order code: **BAE00KH**

