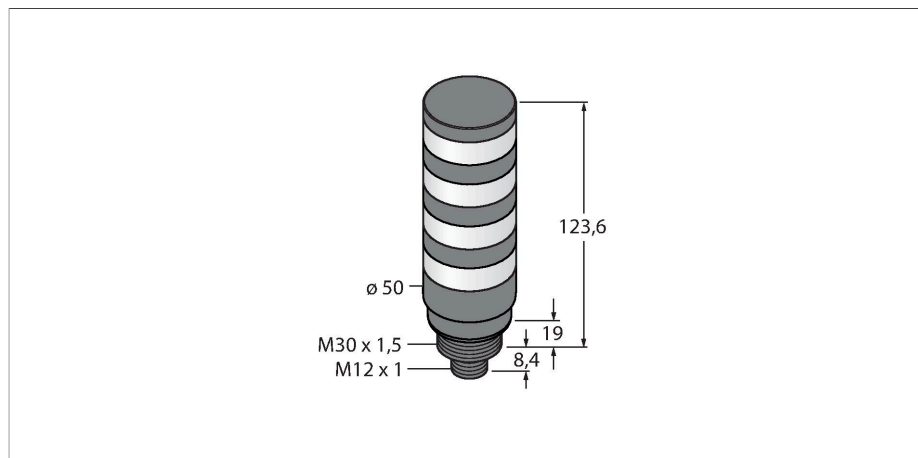


# TL50BLBGY1R1Q

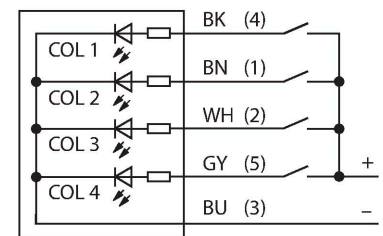
## LED Indicator – Tower Light



### Features

- Black plastic housing
- Protection class IP67
- EMI and RFI immune
- Male M12x1
- Colors: Blue (COL 1) / Green (COL 2) / Yellow rotating (COL 3) / Red rotating (COL 4)
- Operating voltage: 12...30 VDC or 24 VAC with 45 mA per LED color
- Inputs: PNP/NPN

### Wiring diagram



### Technical data

Type	TL50BLBGY1R1Q
ID	3025655
<b>Signal and display data</b>	
Purpose	LED indicator light
Function	Tower light
Light type	Blue Green Yellow, rotating Red, rotating
Dimmable	no
Features of color 1	Blue, Permanently on, 16 lm
Features of color 2	Green, Permanently on, 52 lm
Features of color 3	Yellow, Rotating, 15 lm
Features of color 4	Red, Rotating, 24 lm
<b>Electrical data</b>	
Operating voltage	12...30 VDC
DC rated operational current	≤ 125 mA
Operating voltage	21...27 VAC
AC rated operational current	≤ 100 mA
Max. current consumption per color	125 mA
Input type	Bipolar (PNP/NPN)
Response time typical	< 1 ms
<b>Mechanical data</b>	
Cascadable	No
Design	Smooth barrel, TL50BL
Dimensions	Ø 50 x 151 x 151 mm
Housing material	Plastic, ABS, Black

### Functional principle

The rugged multifunction TL50 beacon is available in many variations and is easily mounted. Each signal tower can be assembled from a maximum of four varicolored LEDs, with or without a beeper. You can also choose from three different lighting functions (steady, rotating, flashing). The lighting function is indicated in the type code after the color (no number: steady; 1: rotating; 2: flashing). Clearly visible status displays for indoor and outdoor applications. The wiring diagram shows a PNP pin assignment.

5 colors are available, blue (B), green (G), red (R), yellow (Y) and white (W), which specify the light sequence from bottom to top in the type designation of the tower light. Example: TL50GYRQ, designates the colors green, yellow and red from bottom to top.

## Technical data

Window material	Polycarbonate, clear
Electrical connection	Connector, M12 × 1, PVC
Number of cores	5
Ambient temperature	-40...+50 °C
Relative humidity	0...95 %
Protection class	IP67
<b>Tests/approvals</b>	
Approvals	CE, UL listed

## Accessories

<p><b>SMB30A</b></p>	<p><b>3032723</b></p> <p>Mounting bracket, rectangular, stainless steel, for sensors with 30mm thread</p>	<p><b>SMB30FA</b></p> <p><b>3074005</b></p> <p>Montagewinkel; Werkstoff VA 1.4401</p>
<p><b>SMB30SC</b></p>	<p><b>3052521</b></p> <p>Mounting bracket, PBT black, for sensors with 30 mm thread, rotatable</p>	

## Accessories

Dimension drawing	Type	ID	
	<p><b>RKC4.5T-2/TEL</b></p>	<p><b>6625016</b></p> <p>Connection cable, female M12, straight, 5-pin, cable length: 2 m, sheath material: PVC, black; cULus approval; other cable lengths and qualities available, see www.turck.com</p>	
	<p><b>WKC4.5T-2/TEL</b></p>	<p><b>6625028</b></p> <p>Connection cable, female M12, angled, 5-pin, cable length: 2 m, sheath material: PVC, black; cULus approval; other cable lengths and qualities available, see www.turck.com</p>	

Dimension drawing	Type	ID	
	RKC8T-2/TEL	6625130	Connection cable, M12 female, straight, 8-pin, cable length: 2 m, jacket material: PVC, black; cULus approval; other cable lengths and qualities available, see <a href="http://www.turck.com">www.turck.com</a>
	WKC8T-2/TEL	6625133	Connection cable, M12 female connector, angled, 8-pin, cable length: 2 m, jacket material: PVC, black; cULus approval; other cable lengths and qualities available, see <a href="http://www.turck.com">www.turck.com</a>