

Technical Data

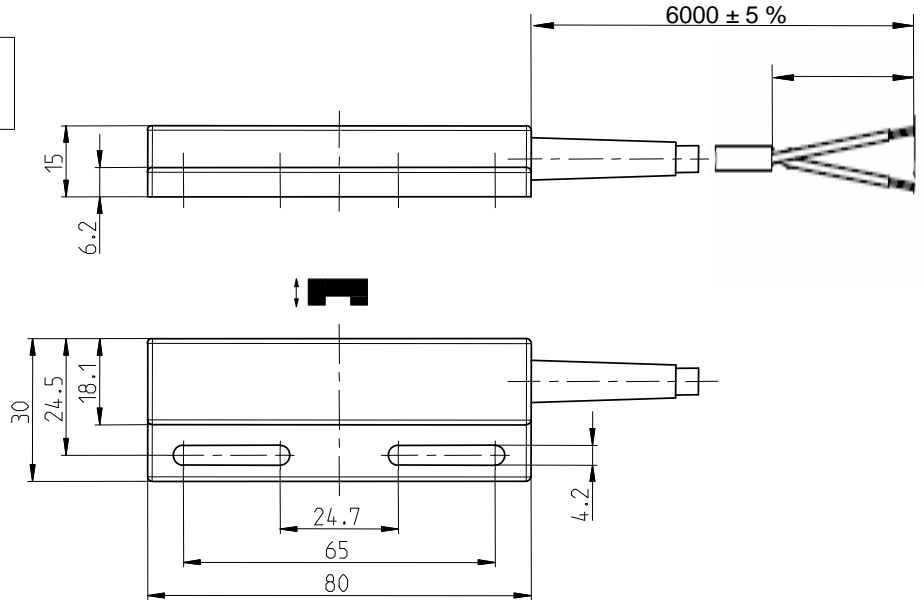
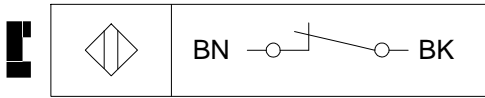
Magnetic switch

Series MA-44

Type designation **MAK-4411-A-6 UL**

Item number **6314144738**

Wiring diagram



Identifying characteristics in accordance with EN 60947-5-1 and EN 62246-1

Electrical data

Assured operating distance	S _a	17 mm
Switching element function		N.C.
Reed contact:		250 V AC / 250 V DC
max. switching voltage		3,0 A
max. switching current		120 VA
max. switching capacity		3x10 ⁸ switchings, however, according to load resetability
mechanical lifetime		± 0,1 mm
Repeat accuracy	R	under same geometrical conditions at the same temperature
Max. Release point		40 mm
Corresponding magnet		TK-44

Mechanical data

Enclosure	PA 6.6, black; encapsulated reed contact
Ambient air temperature	-5 °C ... +70 °C
Type of protection	IP67 (NEMA 4) according to IEC 529, EN 60529
Termination type	cable 2 x AWG 20, PVC -outer jacket black
Assembly position	optional (assembly on iron means reduction of switch distance)

EU Conformity

acc. to directive 2004 / 108 / EC

Approvals



UL Listed, Ind. Cont. Eq. / Class 2 Power source

Note limited electrical data:

max. switching voltage 30 V AC / 60 V DC

max. switching current 2,0 A

max. switching capacity 100 VA

This document will not become the contractual basis; the details included herein do not constitute any descriptions of expected conditions, so that warranties/claims for defects on account of possible variations of the actual from the here described condition are excluded. Subject to modifications and amendments.

Date of issue: 14.01.2013 / Page 1 of 1
Document: 6314144738_en / Last update: 1 / 0014-13