

BORE SIZES 4"/100mm - 12"/300mm

ORBINOX standard double acting pneumatic cylinders are specifically designed to suit ORBINOX knife gate valves.

Main features:

- End caps and barrels up to bore 10"/250mm are made of aluminium
- Barrels with bore 12"/300mm are made of composite material
- Piston rod in stainless steel
- Air supply can vary from 50psi/3,5bar up to a maximum 150psi/10bar
- Air quality requirements according to ISO 8573-1 Grade 5:4:3 for normal processes, Grade 5:3:3 for cold temperature applications (min. -20° C water dew point); for cylinders with positioners Grades 3:4:3 (standard) / 3:3:3 (-20°C)

Options:

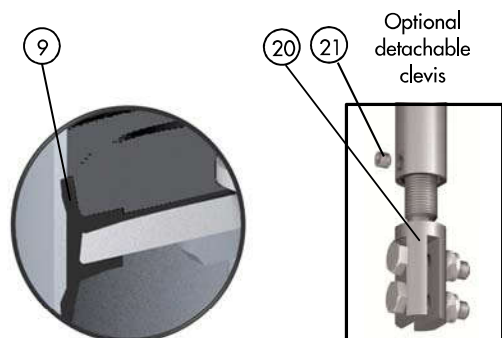
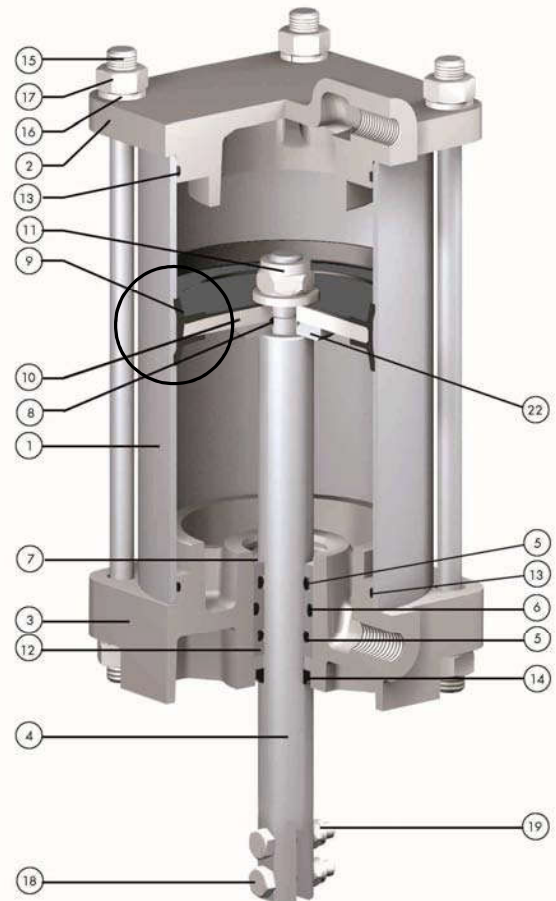
- End caps and barrels up to bore 10"/250mm in anodized aluminium
- Detachable clevis with different dimensions
- Magnetic limit switches available with internal magnetic kit
- Single acting up to 8"/200mm bores
- Manual override system (two piston rods)

Bore sizes ("/mm):

DN 4"/100mm, 5"/125mm, 6"/160mm, 8"/200mm, 10"/250mm and 12"/300mm.

Seal kit*: Items 5,6,8,13 and 14.

One-piece vulcanized piston:** Items 9 and 10



PART LIST

Item:	Description:	Material:
1	Barrel	Aluminum/ Composite
2	Cap	Aluminium
3	Head	Aluminium
4	Piston Rod	AISI - 304
5*	O-Ring	Nitrile
6*	O-Ring	Nitrile
7	Circlip DIN472	Steel
8*	O-Ring	Nitrile
9**	Piston seal	Nitrile
10**	Piston	Carbon Steel
11	Self locking nut	AISI - 304
12	Bushing	Nylon
13*	O-Ring	Nitrile
14*	Scraper	Steel + Nitrile
15	Tie rods	Carbon Steel - Zn plated
16	Washer	Carbon Steel - Zn plated
17	Nut	Carbon Steel - Zn plated
18	Bolt	AISI - 304
19	Self locking nut	AISI - 304
20	Clevis	AISI - 304
21	Lock pin	AISI - 304
22	Washer	Carbon Steel - Zn plated



Reserves the right to change specifications without notice

ORBINOX CANADA, ORBINOX USA, ORBINOX BRAZIL, ORBINOX SPAIN, ORBINOX UK, ORBINOX FRANCE, ORBINOX GERMANY, ORBINOX INDIA, ORBINOX CHINA, ORBINOX S.E.A.

www.orbinox.com

OBX 12/14

Rev.4

DA Pneumatic Cylinder_1