

BECA



(1) Natural frequency:
8 to 14 Hz

DESCRIPTION

The BECA mounting comprises one piece elastomer bonded to a top and bottom plate.

- Top plate: smooth or threaded (welded nut) hole.
- Bottom plate: fixing lugs or direct bearing on the ground.
- Bonded rubber.
- Domed rubber ring.
- Anti-slip bead or grooved anti-slip sole.
- Removable protective top cover: protects the rubber and distributes the load.

OPERATION

The design of the BECA mounting gives the following basic characteristics:

- Transverse elasticity approximately the same as the axial elasticity (equifrequency).
- Rubber works in compression.
- Progressive buffer against shocks or accidental overload.
- Anti-slip (may be placed directly on the ground).

Advantages:

- The machine may be placed (with its mountings) directly on the ground.
- Very slim.
- Speed of fixing.
- Simple removal of the assembly.
- Extensive range: 3 hardnesses of rubber for 6 existing sizes, allowing the mounting to be optimised as a function of the load and stimulation frequency.
- A choice of 3 fixing styles.

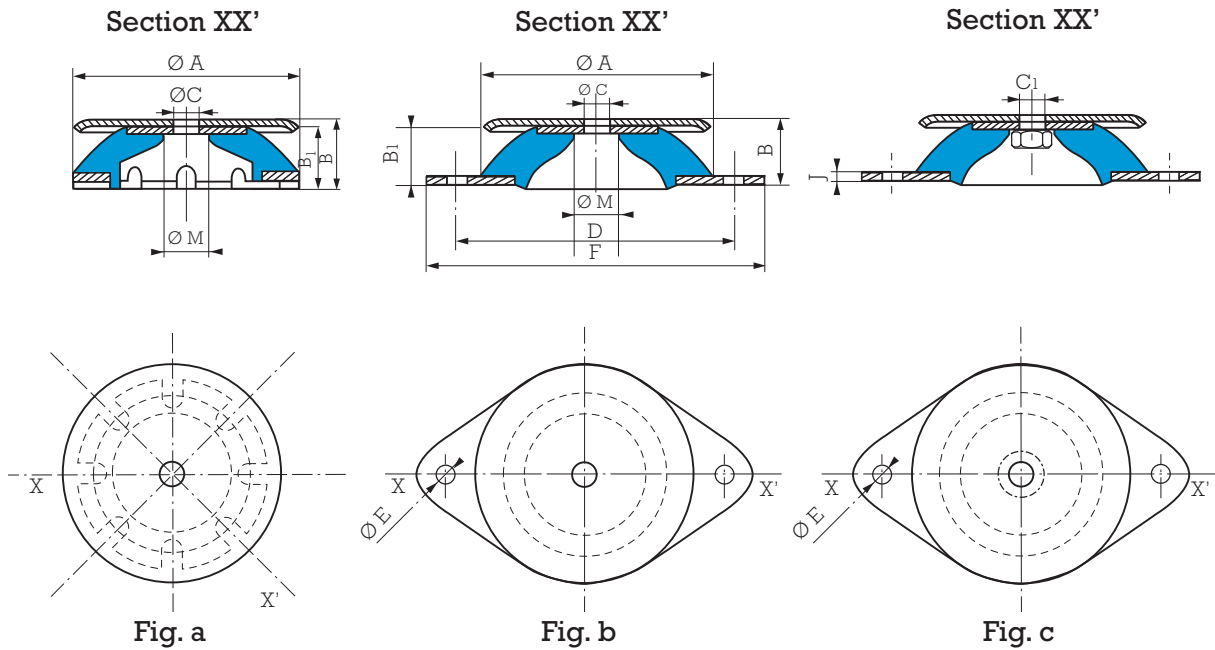
Recommendations:

- In order not to affect the suspension of the machine, all external connections must be flexible.
- BECA mountings can be used for fixed, well-balanced rotating machinery, otherwise a ballasting slab should be used.

(1) Natural frequencies with max/min loads, see: OPERATING CHARACTERISTICS.

Nota: BECA mountings can be replaced by PAULSTRADYN mountings.

DIMENSIONS



BECA with anti-slip base

BECA with lugs, smooth hole

BECA with lugs, threaded hole

Type	Hardness	Reference			Ø A mm	B mm	B ₁ mm	Ø C mm	C ₁	D mm	Ø E mm	F mm	J mm	Ø M mm	Weight g
		Anti-slip base	Diamond base												
		Smooth hole (fig. a)	Smooth hole (fig. b)	Threaded hole (fig. c)											
Ø 40	45.60	--	--	533641*	40	20	18	-	M6	52	6.2	64	2	19	50
Ø 60	45.60.75	--	--	533661	60	24	22.5	-	M6	76	6.2	90	2	18	140
Ø 80	45.60.75	--	533581	533681	80	27	25	8.1	M8	100	8.2	120	2	22	250
Ø 100	45.60.75	533108	--	--	100	30	28	10.2	-	-	-	-	-	22	420
Ø 100	45.60.75	--	533109	533609	100	27.5	25.5	10.2	M10	124	10.2	148	2.5	22	460
Ø 150	45.60.75	533151	--	--	150	41	38	14.2	-	-	-	-	-	34	1220
Ø 150	45.60.75	--	533152	533652	150	39	36	14.2	M14	182	12.2	214	4	34	1340
Ø 200	45.60.75	533202	--	--	200	46	42	18	-	-	-	-	-	44	2750
Ø 200	45.60.75	--	533203	533623	200	44	40	18	M18	240	14.5	280	5	44	3030

* Ø 40, M6 - RAPID nut - max. torque 3 N.m.

See current price list for availability of items.

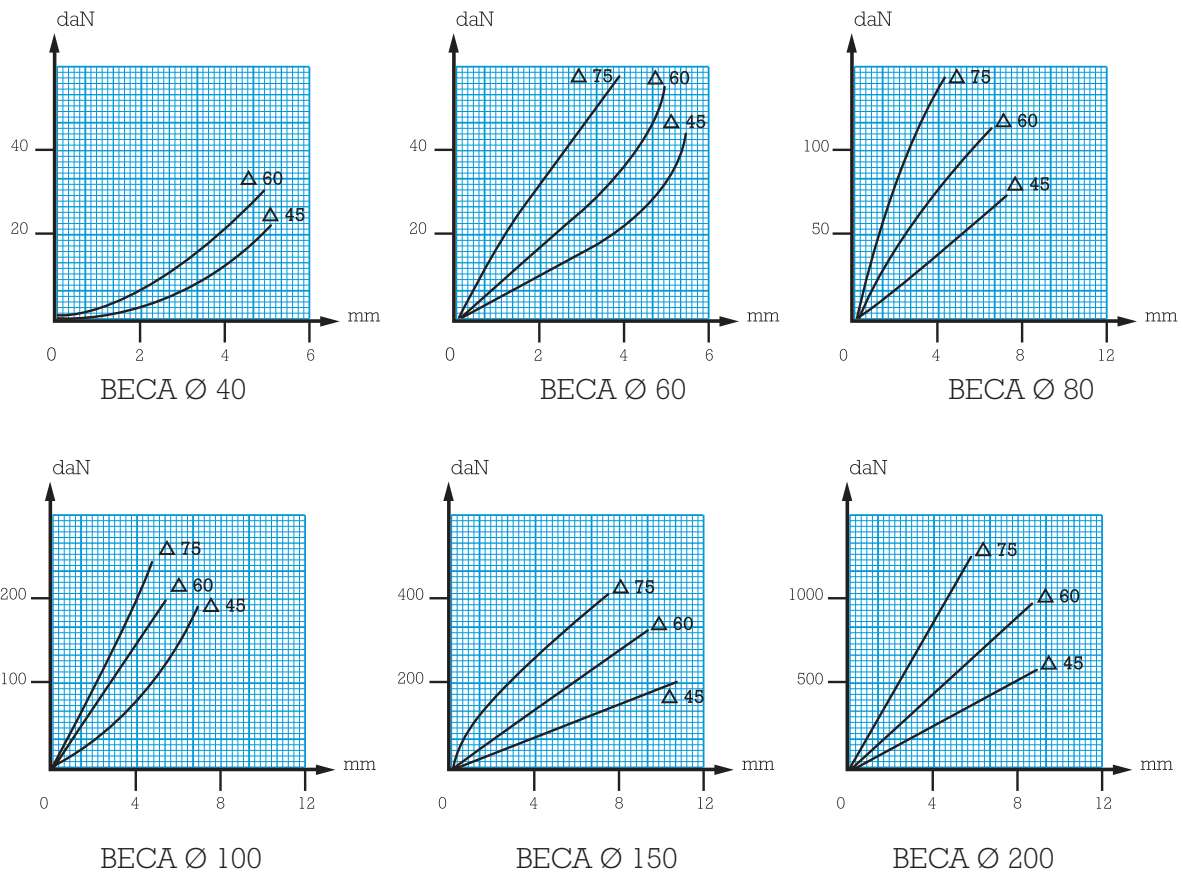
OPERATING CHARACTERISTICS

Nominal static load daN	Deflection mm	Type	Hardness
1-4	2	Ø 40	45
2-10	2.5	Ø 40	60
3-15	3	Ø 60	45
6-25	3	Ø 60	60
11-45	3	Ø 60	75
11-45	4.5	Ø 80	45
20-80	4.5	Ø 80	60
22-90	4	Ø 100	45
30-120	4	Ø 80	75

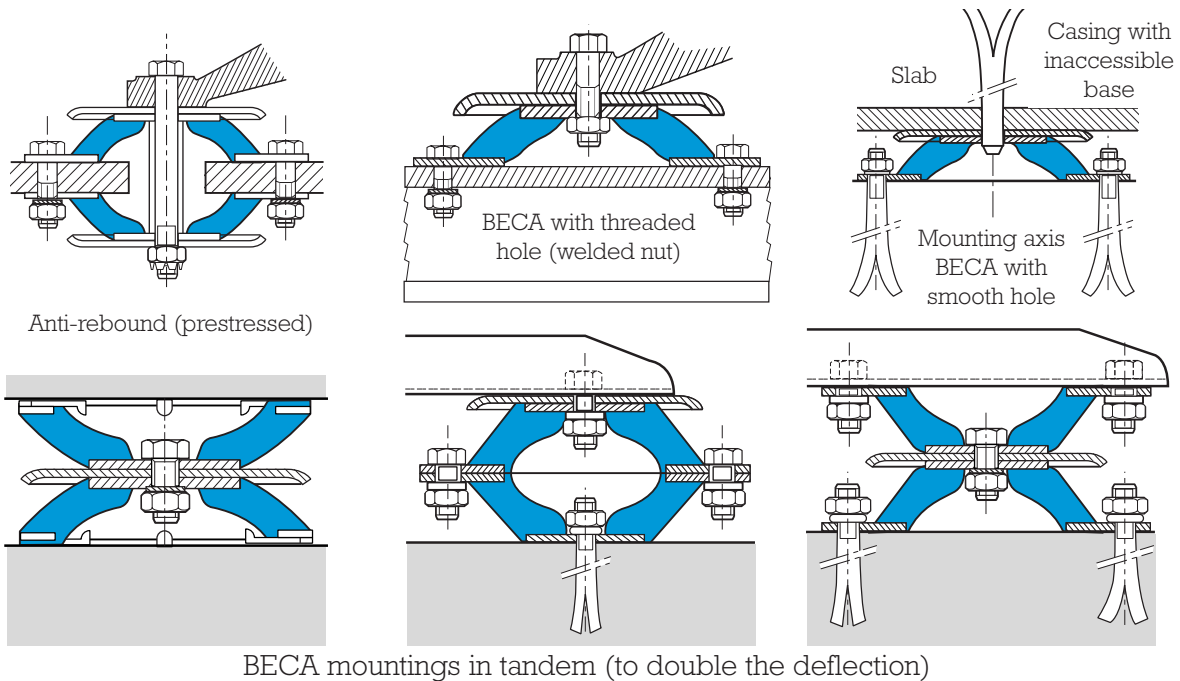
Nominal static load daN	Deflection mm	Type	Hardness
30-130	7	Ø 150	45
40-160	4	Ø 100	60
50-220	4	Ø 100	75
60-250	7	Ø 150	60
85-350	6	Ø 150	75
125-500	7	Ø 200	45
200-825	7	Ø 200	60
310-1250	6	Ø 200	75

1 kg ≈ 1 daN

LOAD/DEFLECTION CURVES IN AXIAL COMPRESSION



ASSEMBLY



All our mountings are identified by conventional markings, either a paint spot or figures indicating the hardness: grey = hardness 45, green = hardness 60, blue = hardness 75.