



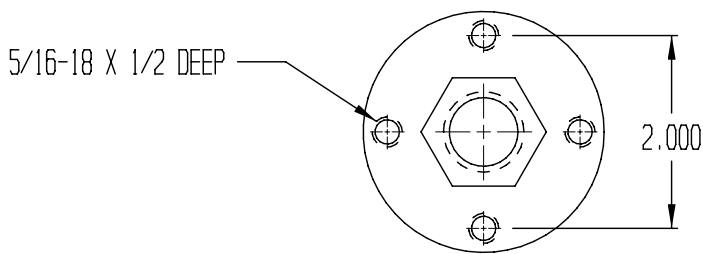
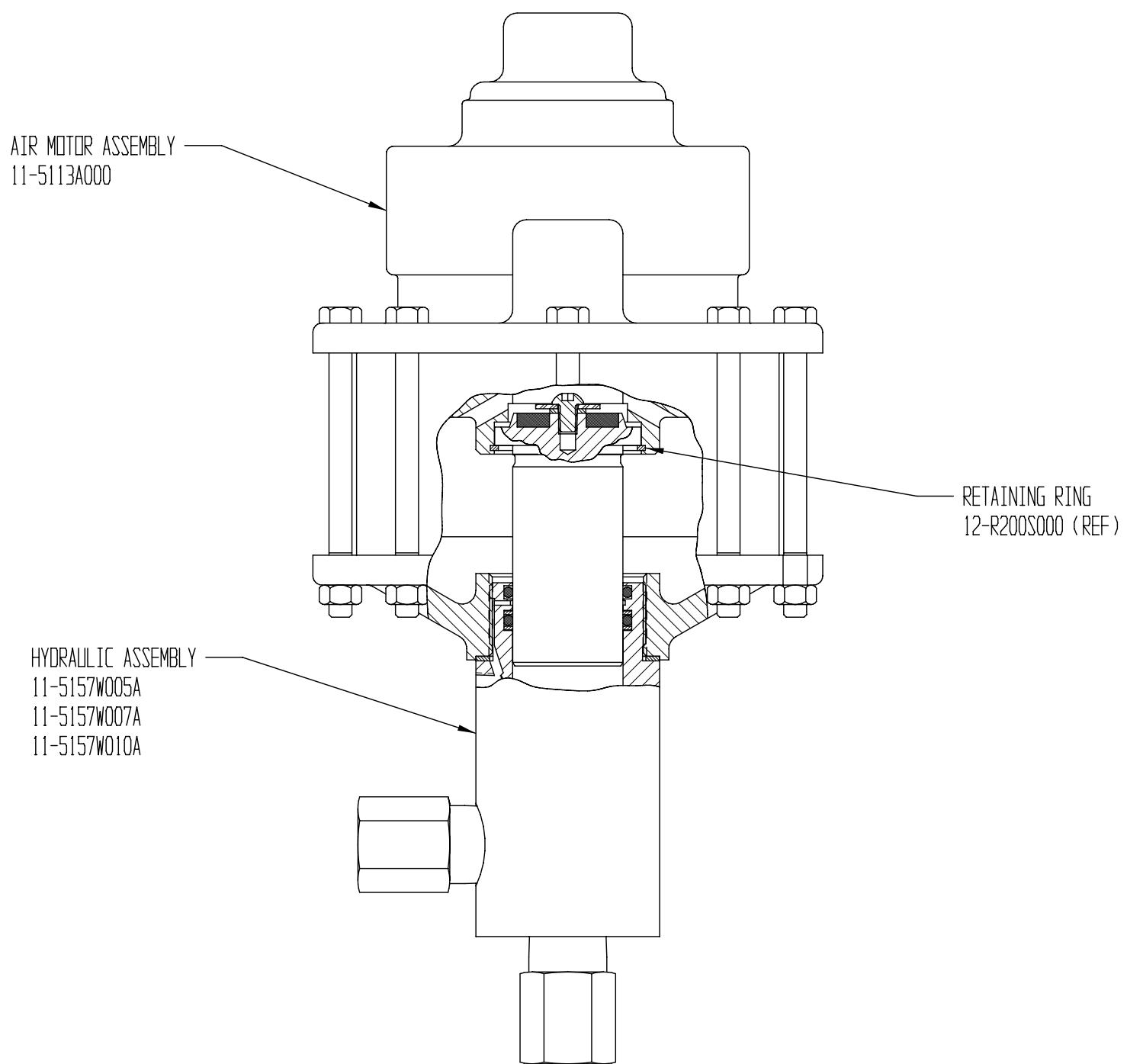
# SOUTHERN CALIFORNIA HYDRAULIC ENGINEERING CORPORATION

DESIGNERS AND MANUFACTURERS OF HYDRAULIC & PNEUMATIC EQUIPMENT

1130 COLUMBIA STREET BREA, CALIFORNIA 92821

## PUMP ASSEMBLY 10-500EW005-114 THRU W010-114

FORM 500EW-114 REV 05/31/06



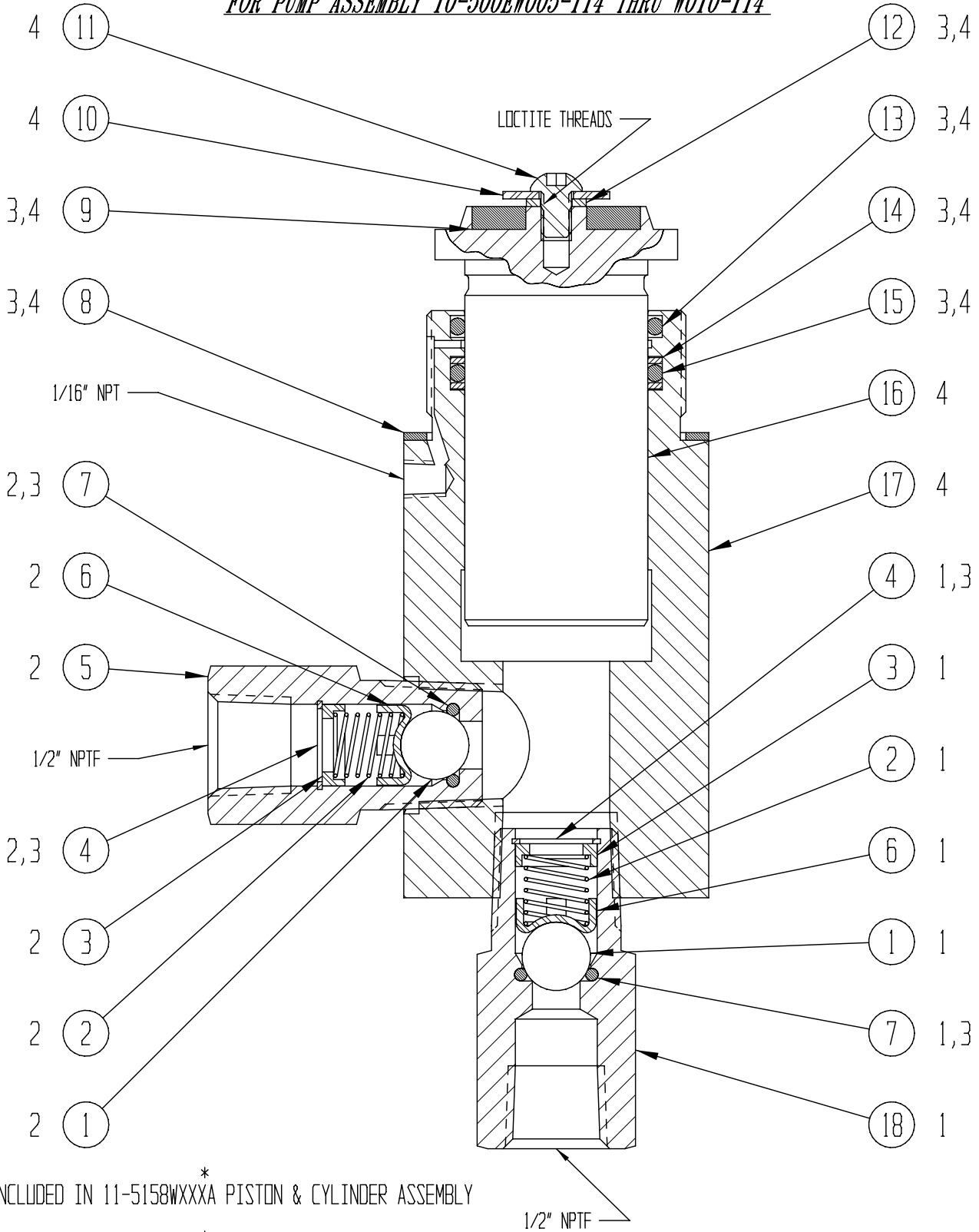
MOUNTING DIMENSIONS



## HYDRAULIC ASSEMBLY 11-5157W005A THRU W010A

FORM 500EW-114-1 REV 05/31/06

### FOR PUMP ASSEMBLY 10-500EW005-114 THRU W010-114



4 INCLUDED IN 11-5158WXXXA PISTON & CYLINDER ASSEMBLY

3 INCLUDED IN 11-5148NXXXE114 HYDRAULIC REPAIR KIT

2 INCLUDED IN 11-5023S000 OUTLET CHECK VALVE ASSEMBLY

1 INCLUDED IN 11-5024S000 INLET CHECK VALVE ASSEMBLY

\* REPRESENTS PUMP ASSEMBLY MODEL NUMBER  
EXAMPLE: 11-5148N005A = HYDRAULIC REPAIR  
KIT FOR 10-500EW005-114 PUMP



# SOUTHERN CALIFORNIA HYDRAULIC ENGINEERING CORPORATION

*Designer and Manufacturers of Hydraulic & Pneumatic Equipment*

1130 COLUMBIA STREET, BREA, CALIFORNIA 92821 – (714) 257-4800 – FAX (714) 257-4810

**BILL OF MATERIALS** FILE: 10-450-157A.XLS

DRAWING NUMBER & DESCRIPTION: 11-5157W005A THRU W010A HYDRAULIC ASSEMBLY

11-5157 REVISION: 05/31/06

W005A	W007A	W010A	ITEM NO	QTY	PART NO	DESCRIPTION	REFERENCE NO
•	•	•	1	2	12-0440S562	CHECK BALL	
•	•	•	2	2	11-5013S000	SPRING	10-450-13
•	•	•	3	2	11-5017S000	SPRING GUIDE	10-450-17
•	•	•	4	2	P10202-068	RETAINING RING	12-R068S000
•	•	•	5	1	11-5020S000	SEAT-OUTLET	10-450-20
•	•	•	6	2	11-5034S002	BALL GUIDE	10-450-34-2
•	•	•	7	2	P11003-112	O-RING	12-6227N010S
•	•	•	8	1	11-5028N000	GASKET	10-450-28
•	•	•	9	1	11-5051P000	PISTON BUMPER	10-450-51
•	•	•	10	1	12-25N87WF1Z	FENDER WASHER	
•	•	•	11	1	12-25F37SBC45Z	BUTTON HEAD CAP SCREW	
•	•	•	12	1	P10212-025	HELICAL SPRING LOCK WASHER	12-5001C407
•			13	1	P11015-223	TFE O-RING	12-6230T001
	•		13	1	P11015-222	TFE O-RING	12-6227T027
		•	13	1	P11015-217	TFE O-RING	12-6227T022
•			14	1	P11227-029	BACK UP	12-8774T029
	•		14	1	P11227-222	BACK UP	12-8774T027
		•	14	1	P11227-217	BACK UP	12-8774T022
•			15	1	P11000-223	O-RING	12-6230N001
	•		15	1	P11000-222	O-RING	12-6227N027
		•	15	1	P11000-217	O-RING	12-6227N022
•			16	1	11-5010S005	HYDRAULIC PISTON	10-450-10-.5
	•		16	1	11-5010S007	HYDRAULIC PISTON	10-450-10-.65
		•	16	1	11-5010S010	HYDRAULIC PISTON	10-450-10-1
•			17	1	11-5114B005A	HYDRAULIC CYLINDER	10-450-114-.5A
	•		17	1	11-5114B007A	HYDRAULIC CYLINDER	10-450-114-.65A
		•	17	1	11-5114B010A	HYDRAULIC CYLINDER	10-450-114-1A
•	•	•	18	1	11-5019C000	SEAT-INLET	10-450-19

Where used: 10-500EW005-114-W010-114