

DATA SHEET HOSE REEL REELCRAFT



MODELNUMBER 83000 OLP118

Model number: 83000 OLP118

Powder coated heavy duty spring driven steel hose reel

Flow path: Aluminum

Swivel: Nikkel plated Steel

Suitable for max. 15 mtr 3/4"

Max pressure: 35 Bar

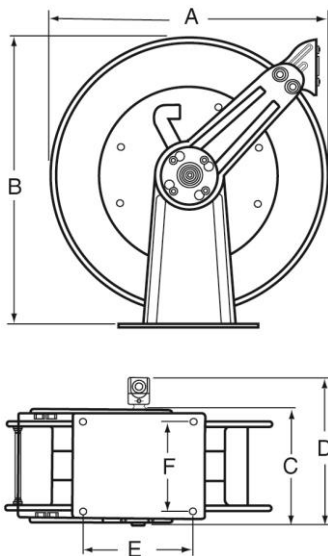
Connection in: 3/4" BSPT(F)

Connection out: 3/4"BSPT(F)

Weight hose reel: 38 Kg.



Dimensions Hose reel 83000 OLP118



A= 610 mm

B= 645 mm

C= 211 mm

D= 257 mm

E= 213 mm

F= 152 mm