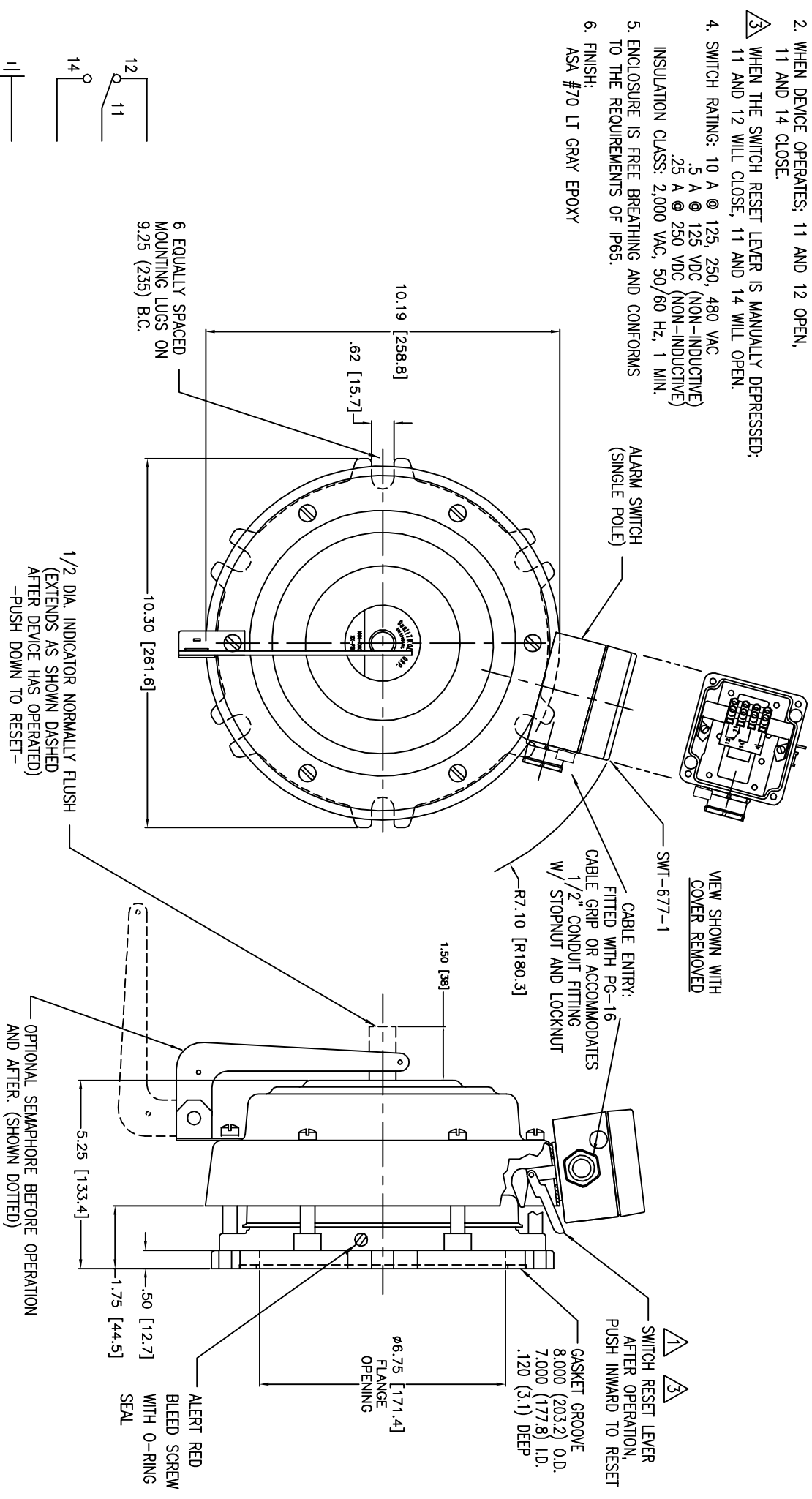


NOTICE
 THIS DRAWING IS THE PROPERTY OF QUADROL CORPORATION AND IS LOANED ONLY ON THE CONDITION THAT IT WILL BE USED ONLY FOR THE PROJECT AND PURPOSE SPECIFIED. IT IS NOT TO BE REPRODUCED, COPIED OR OTHERWISE DISPOSED OF AND IS NOT TO BE USED IN WHOLE OR PART FOR FURNISHING INFORMATION RELATIVE TO THE MAKING OF DRAWINGS, PARTS OR EQUIPMENT UNLESS SPECIFICALLY AUTHORIZED BY WRITTEN ORDER FROM QUADROL CORPORATION.

MODEL NO. 208-015

NOTES:

- 1 AND 12 ARE CLOSED, 11 AND 14 ARE OPEN WHEN ALARM SWITCH IS MOUNTED AND ARMED AS SHOWN.
- WHEN DEVICE OPERATES; 11 AND 12 OPEN, 11 AND 14 CLOSE.
- WHEN THE SWITCH RESET LEVER IS MANUALLY DEPRESSED; 11 AND 12 WILL CLOSE, 11 AND 14 WILL OPEN.
- SWITCH RATING: 10 A @ 125, 250, 480 VAC
 5 A @ 125 VDC (NON-INDUCTIVE)
 .25 A @ 250 VDC (NON-INDUCTIVE)
- INSULATION CLASS: 2,000 VAC, 50/60 HZ, 1 MIN.
- ENCLOSURE IS FREE BREATHING AND CONFORMS TO THE REQUIREMENTS OF IP65.
- FINISH:
 ASA #70 LT GRAY EPOXY



WIRING DIAGRAM
 (AS SHOWN ON ALARM SWITCH LABEL)

DIMENSIONS ARE IN INCHES (mm)

LET	DATE	ALTERATION	C.N.
-	01-08-01	ADD ADP-152-1 AND CHANGED CALLOUT	21808
-	1/24/14	IMPROVE FROM IP54 TO IP65 W/ VENTED ENCLOSURE	32130

QUALITROL CORPORATION
 1385 FAIRPORT ROAD
 FAIRPORT, NY 14450
 PH. (716) 586-1515
 FAX (716) 377-0220
 FORM 0-473 REV/C 7/1/97

TITLE: PRESSURE RELIEF DEVICE
 W/ DIRECT (1 POLE) SWITCH WIRING

MODEL NO. 208-015 SHEET 1 OF 2

DO NOT SCALE PRINT

WAS
NO.DRAWING
NO.

208-015

REVISION	MODEL PT. NO.	GASKET MAT'L	X-FORM. LIQUID	OPERATING PRESSURE	ALARM SWITCH	SEMA- PHORE	INDICATOR COLOR	REMARKS
1-8-97 17772	208-015-01	NITRILE	OIL	10 PSIG±1	YES	NO	YELLOW	SUPPLIED WITH (2) GASKETS
1-8-97 17772	-02	NITRILE	OIL	10 PSIG±1	YES	YES	YELLOW	SUPPLIED WITH (2) GASKETS
8-8-97 18694	-03	NITRILE	OIL	10 PSIG±1	YES	NO	YELLOW	_____
10-11-97 18885	-08	NITRILE	OIL	12 PSIG±1	YES	NO	YELLOW	SUPPLIED WITH (2) GASKETS

NOTICE

THIS DRAWING IS THE PROPERTY OF QUALITROL CORPORATION AND IS LOANED ONLY ON THE CONDITION THAT IT WILL BE USED TO FACILITATE THE PURPOSE FOR WHICH IT WAS INTENDED AND NOT BE REPRODUCED, COPIED OR OTHERWISE DISPOSED OF, AND IS NOT TO BE USED IN WHOLE OR PART FOR FURNISHING INFORMATION RELATIVE TO THE MAKING OF DRAWINGS, PARTS, APPARATUS OR PARTS THEREOF, EXCEPT BY WRITTEN ORDER FROM QUALITROL CORPORATION.

DIMENSIONS AND TOLERANCES IN ACCORDANCE
WITH ASME Y14.5M-1994

FORM 0-465 REV.C 7/1/97

QUALITROL
CORPORATION FAIRPORT, NEW YORK

TITLE: PRESSURE RELIEF DEVICE
w/DIRECT (1 POLE) SW. WIRING

SCALE

SHEET 2 OF 2

1:1

DRAWING
NO.

208-015